

DIGITAL SETTING: The 425 is set digitally by rotating each setting knob until the desired Time Preset is displayed by the number wheels on the front of the timer. The digital setting allows exact, accurate and repeatable timing cycles.

HIGH ACCURACY: The 425 utilizes a crystal controlled oscillator which provides 0.1% timing accuracy across all rated voltages and temperatures.

CYCLE PROGRESS INDICATION: The 425 offers the industry's brightest green LED display in a 1/16 DIN package. Depending on the Model, the three-digit LED display will time UP to or DOWN from the Time Preset.

Through its internal micro controller, the 425 keeps track of the time setting by monitoring each of the three Time Preset switches. Whenever a change is made in the time preset, even during a cycle, the 425 instantly re-computes and adjusts the current timing cycle.

1/16 DIN HOUSING: The 48mm² (1/16 DIN) housing is compact, allowing the 425 to be panel mounted or plug-in using an 8-pin octal socket. The decimal point and SEC/MIN/HRS switches are located on the side of the unit. When panel mounted, these range switches are not accessible to the operator. This Tamper-proof feature prevents unauthorized or hazardous changes to the timing range.

MEMORY OPTION: The 425 can be ordered as standard with an EEPROM memory. This allows the 425 to retain the elapse time or time remaining during momentary or sustained power interruptions.

INSTANTANEOUS AND DELAYED RELAY VERSIONS: A version of the 425 is available with one set of SPDT instantaneous contacts and one set of SPDT delayed contacts.

DELAYED RELAY VERSION: A version of the 425 is available with DPDT delayed contacts.

MODEL 425A300G10XX (SPDT INSTANTANEOUS & SPDT DELAYED RELAYS): Timing starts when power is applied to terminals 2 and 7. The instantaneous relay energizes, the LED digital display begins to increment from 0 and the timing LED blinks slowly. When the preset value is reached, the LED blinks rapidly and the Delayed SPDT relay is energized. The timer remains in this timed-out condition until reset by removing power.

MODEL 425A300G20XX (DPDT DELAYED RELAY): Timing starts when power is applied to terminals 2 and 7. The LED display begins to increment from 0 and the timing LED blinks slowly. When the preset value is reached, the LED stops, the timing LED blinks rapidly and the Delayed DPDT relay energizes. The timer remains in this timed-out condition until reset by removing power.

MODEL 425A300G10MX & MODEL 425A300G20MX (MEMORY OPTION): Operation is same as above, however, units will not reset when power is removed during the timing cycle. Timers with this option can only be reset after time-out, or by adjusting the setting knobs to 000 during the timing cycle.

CAUTION: Be advised that the relay(s) will transfer when setting knobs are adjusted to 000 when power is applied.



1/16 DIN LED Digital Display Timer

- Easy-To-Read High Intensity Green LED Display
- Timing From .01 SEC to 999 Hrs in One Unit
- Switch Selectable Timing Ranges Are Tamper Proof When Panel Mounted
- Timing LED Indicates Output Relay Status
- Time Preset Can Be Adjusted While Timing
- EEPROM memory Option Standard Feature
- Passes NEMA Showering Arc Noise Test
- Panel Mounting or 8-pin Octal Plug-in mounting
- Timing Up to or Down From the Set Point

MODEL NUMBER

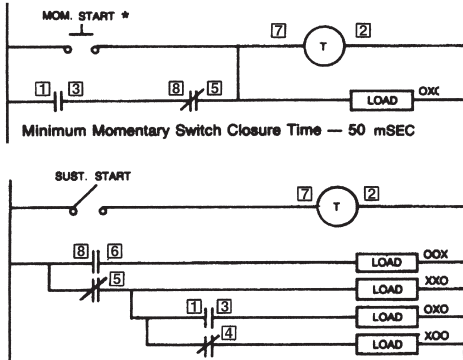
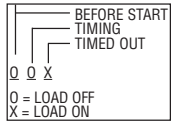
MODEL NUMBER	425A	300	G			
RANGE	0 to 9.99 or 99.9 or 999 SEC, MIN, HR		300			
VOLTAGE & FREQUENCY	120-240 VAC 50/60 Hz		G			
OUTPUT ARRANGEMENT	Instantaneous Relay (SPDT), Delay Relay (SPDT)			10		
	Delay Relay (DPDT)			20		
MEMORY	Standard-No Memory				X	
	With Memory (EEPROM)				M	
FEATURES	Standard (Time Up)					X
	Standard (Time Down)					D
	Special					K

ACCESSORIES 8-PIN

8-Pin surface/DIN rail socket	000-825-85-00
Hold down clips for above socket	407-025-13-00
Panel mounting bracket	405-320-02-00
Plug-in socket kit (8-pin)	319-261-45-00
8-Pin socket w/rear facing terminals	000-825-90-00

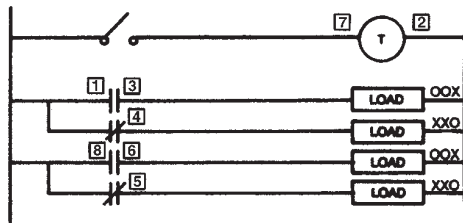
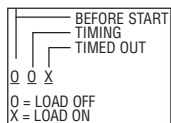
TYPICAL CIRCUITS

425A300G10XX



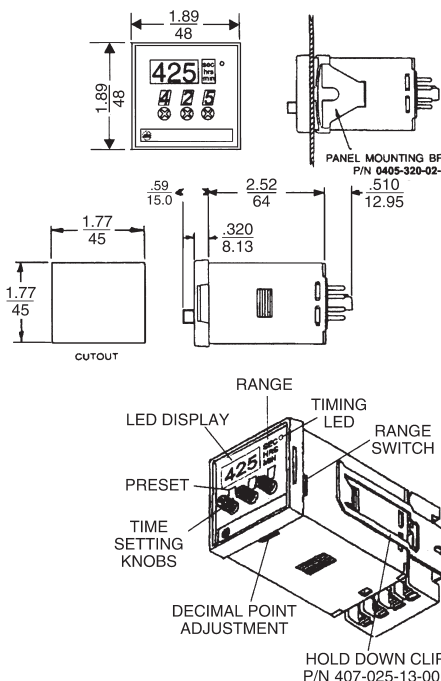
RELAY	CONTACTS	Before Start	During Timing	End of Cycle
Instantaneous	1-3			
	1-4			
Delayed	8-6			
	8-5			

425A300G20XX



RELAY	CONTACTS	Before Start	During Timing	End of Cycle
Instantaneous	1-3			
	1-4			
Delayed	8-6			
	8-5			

DIMENSIONS (INCHES/MILLIMETERS)



SPECIFICATIONS

MODELS	ON-Delay Time Up	ON-Delay Time Down
425A300G10XX	ON-Delay Time Up	ON-Delay Time Down
425A300G20XX	ON-Delay Time Up	ON-Delay Time Down
425A300G10XD	ON-Delay Time Up	ON-Delay Time Down
425A300G20XD	ON-Delay Time Up	ON-Delay Time Down

RANGES Switch Selectable, 0 to 9.99,99.9 or 999 Sec/Min/Hrs

LOAD RELAY	TYPE	G10 Models: SPDT, G20 Models: DPDT
LIFE	10 Million operations (no load)	
CONTACT	5 AMPS Resistive, 1/10 HP @	
RATING	120 VAC	

TEMPERATURE RATING 0° to 140°F (-18° to 60°C)

NOISE IMMUNITY Showering ARC per NEMA ICS 2-230, the 425A will withstand a voltage surge of 4500 volts for 50 microseconds without damage

MOUNTING 8-Pin Octal plug-in base, Panel Mounting Bracket

POWER REQUIREMENTS 120 VAC, 50/60 Hz; (10%,-20%); 5 WATT maximum

REPEAT ACCURACY ± .1% over rated voltages

RESET TIME 100 mSEC minimum

DISPLAY Cycle Progress 3 Digit Green LED Display, seven segment numeric
Timing LED Red LED blinks slowly (once per second) during timing; blinks rapidly after time out.

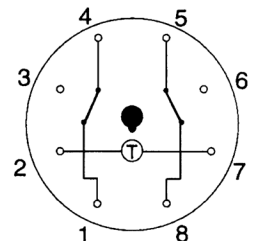
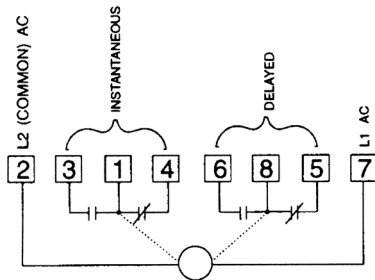
MEMORY...MX MODELS EEPROM 100,000 read/write cycles

HOUSING 1/16 DIN (48mm x 48mm) Housing

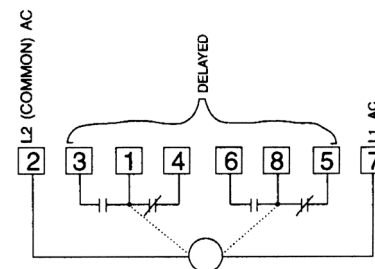
WEIGHT 5 oz. (140 g) **SHIPPING:** 1 lb.

WIRING

MODEL 425A300G10XX, XD
425A300G10MX, MD



Bottom View of Timer



MODEL 425A300G20XX, XD
425A300G20MX, MD