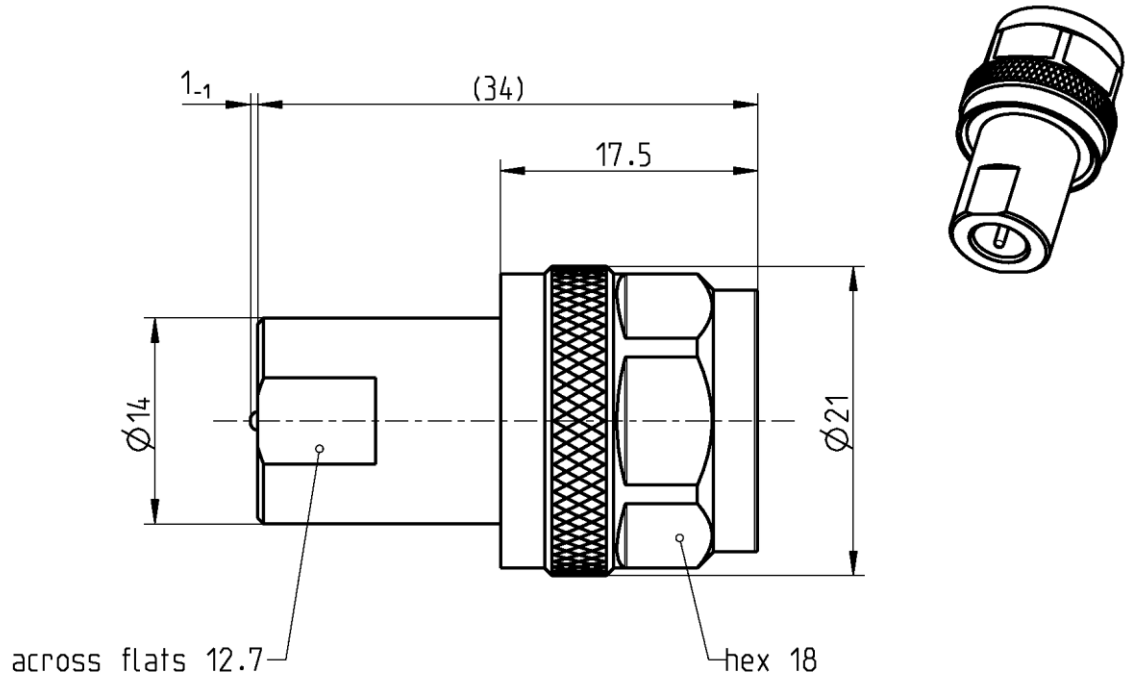


FME

Adaptor  
FME Plug – N Plug

**26S153-S00A1**



All dimensions are in mm; tolerances according to ISO 2768 m-H

**Interface**

According to FME side: N/A  
N side: IEC 60169-16, MIL-PRF-39012, CECC 22210

**Documents**

N/A

**Material and plating**

**Connector parts**

|                        | Material        | Plating  |
|------------------------|-----------------|--|
| Center contact         | Brass           | Silver, 3-6 µm                                 |
| Outer contact FME side | Brass           | Nickel, 2.5-5 µm                               |
| Outer contact N side   | Brass           | Flash white bronze over silver(e.g. Optargen®) |
| Dielectric             | PTFE            |  |
| Gasket N side          | NeopreneCR 50C6 |  |
| Coupling nut N side    | Brass           | White bronze(e.g. Optalloy®)                   |

FME

Adaptor  
FME Plug – N Plug

**26S153-S00A1**

**Electrical data**

|                           |                            |                   |
|---------------------------|----------------------------|-------------------|
| Impedance                 | 50 Ω                       |                   |
| Frequency                 | DC to 3 GHz                |                   |
| Return loss               | ≥ 25 dB, DC to 1 GHz       |                   |
|                           | ≥ 15 dB, 1 to 2 GHz        |                   |
| Insertion loss            | ≤ 0.1 dB max., DC to 1 GHz |                   |
| Insulation resistance     | ≥ 5 x10 <sup>3</sup> MΩ    |                   |
| Center contact resistance | ≤ 10 mΩ, FME side;         | ≤ 1 mΩ, N side    |
| Outer contact resistance  | ≤ 5 mΩ, FME side;          | ≤ 0.25 mΩ, N side |
| Test voltage              | 1000 V rms                 |                   |
| Working voltage           | 500 V rms                  |                   |

**Mechanical data**

|                                   |           |                  |
|-----------------------------------|-----------|------------------|
|                                   | FME side  | N side           |
| Mating cycles                     | min. 300  | min. 500         |
| Coupling nut retention            | N/A       | ≥ 450 N          |
| Center contact captivation: axial | ≥ 28 N    | ≥ 28 N           |
| Coupling test torque              | max. 2 Nm | max. 1.7 Nm      |
| Recommended torque                | N/A       | 0.7 Nm to 1.1 Nm |

**Environmental data**

|                     |                 |
|---------------------|-----------------|
| Temperature range   | -55°C to +125°C |
| Environmental tests | MIL-STD-202     |
| RoHS                | compliant       |

**Tooling**

N/A

**Suitable cables**

N/A

**Weight**

Weight 35.5 g/pce

While the information has been carefully compiled to the best of our knowledge, nothing is intended as representation or warranty on our part and no statement herein shall be construed as recommendation to infringe existing patents. In the effort to improve our products, we reserve the right to make changes judged to be necessary.

For the installation of the electrotechnical equipment, particular electrotechnical expertise is required.



Dieses Dokument ist urheberrechtlich geschützt • This document is protected by copyright • Rosenberger Hochfrequenztechnik GmbH & Co. KG

RF\_35/09.14/6.2

|  |          |             |          |      |                           |  |          |
|--|----------|-------------|----------|------|---------------------------|--|----------|
| Draft  | Date     | Approved    | Date     | Rev. | Engineering change number | Name   | Date     |
| Inge Mühlauer  | 26.07.05 | Chr. Janßen | 29.10.20 | d00  | 20-1927                   | S. Huber-Siegl   | 29.10.20 |
| Rosenberger Hochfrequenztechnik GmbH & Co. KG<br>P.O.Box 1260 D-84526 Tittmoning Germany<br><a href="http://www.rosenberger.de">www.rosenberger.de</a> |          |             |          |      |                           | Tel. : +49 8684 18-0<br>Email : <a href="mailto:info@rosenberger.de">info@rosenberger.de</a> |          |
|  |          |             |          |      |                           | Page<br>2 / 2  |          |