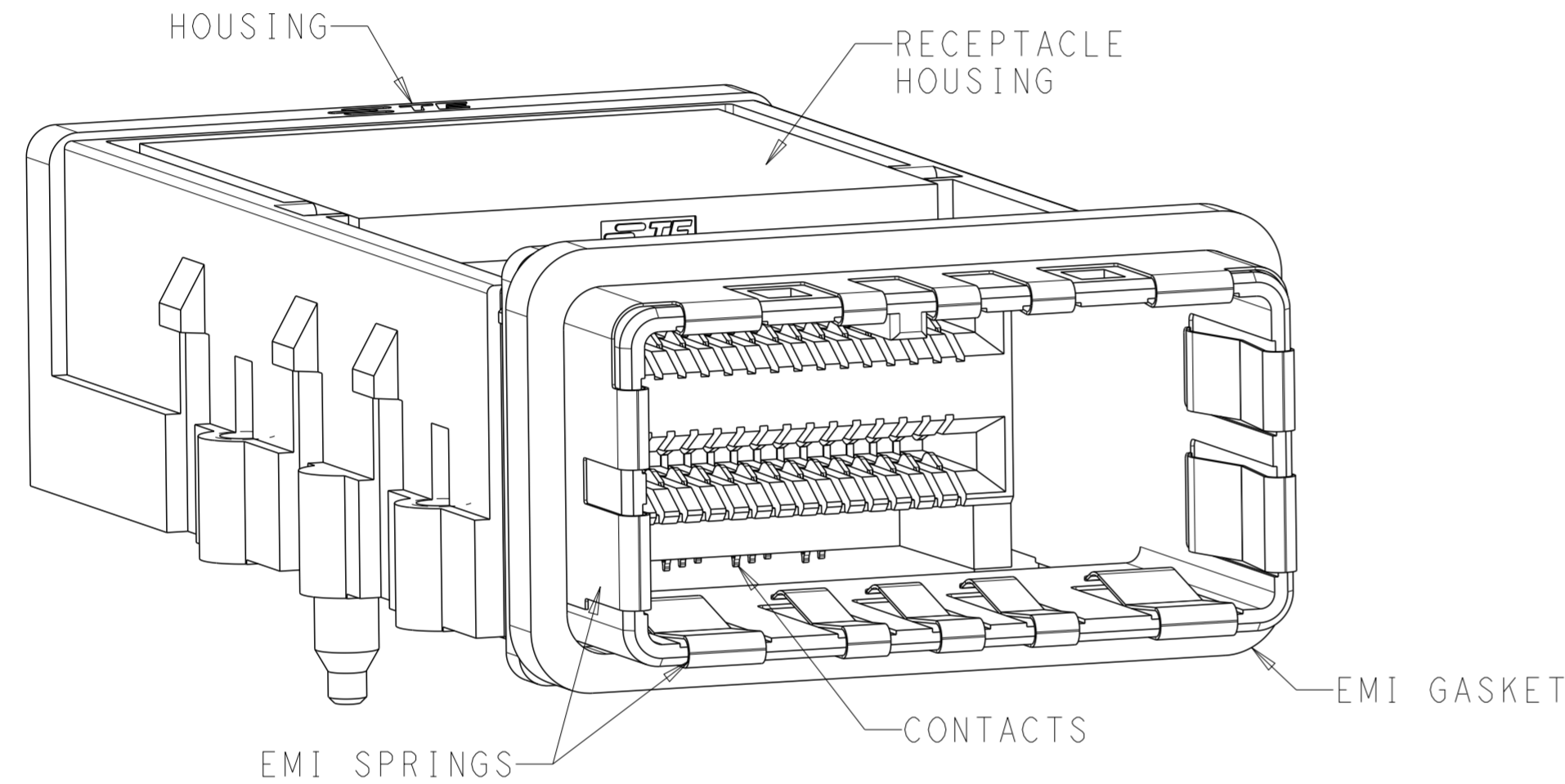


THIS DRAWING IS UNPUBLISHED. RELEASED FOR PUBLICATION 20
 © COPYRIGHT 20 BY - ALL RIGHTS RESERVED.

REVISIONS				
P	LTR	DESCRIPTION	DATE	APVD
A		RELEASED ECO-14-002997	24MAR2014	LAW SB



2149448-1
SCALE 5:1

- 1 MATERIALS:
 HOUSING - ZINC ALLOY
 COVER, HOUSING - STAINLESS STEEL.
 EMI GASKET - CONDUCTIVE URETHANE FOAM
 RECEPTACLE HOUSING - LCP, BLACK, UL 94V-0 RATED
 CHICKLET - LCP, BLACK, UL 94V-0 RATED
 CONTACT - PHOSPHOR BRONZE
 EMI SPRING - COPPER ALLOY

- 2 FINISH:
 CONTACT - CONFORMS TO THE REQUIREMENTS OF TE
 PRODUCT SPECIFICATION 108-2426, BASED ON EIA/ECA-364-1000.01A,
 (CONTROLLED ENVIRONMENT APPLICATIONS) ON MATING INTERFACE,
 MATTE TIN OVER NICKEL UNDERPLATE ON COMPLIANT PIN
 HOUSING & HEAT SINK - NICKEL PLATE

3 NOTE DELETED

4 PCB THICKNESS = 1.57 MIN

5 FOR HOLE SIZE AND FINISHES, SEE APPLICATION SPEC 114-13283

6 THE ENTIRE AREA OF THE CONNECTOR FOOTPRINT, INDICATED BY CROSSHATCHING, TO BE CONSIDERED THE KEEPOUT AREA FOR COMPONENTS AND SIGNAL TRACES, TOP SIDE ONLY, TOP SIDE TRACES ALLOWED WITHIN CONNECTOR HOLE PATTERN, CROSSHATCHING TO BE CONDUCTIVE

7. MOUNTING HARDWARE REQUIRED:
 M2X0.4 (4) - MOUNTING SCREW LENGTH = BOARD THICKNESS + 4mm MAX

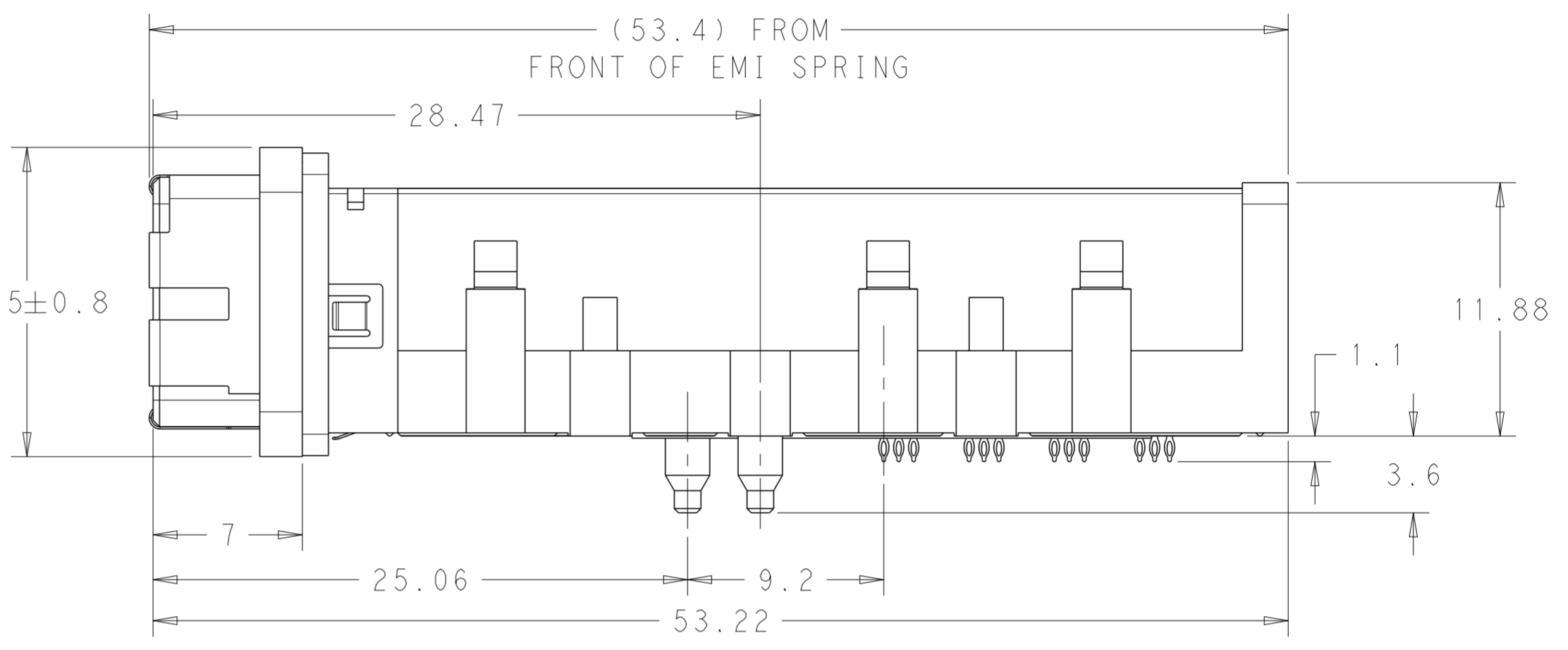
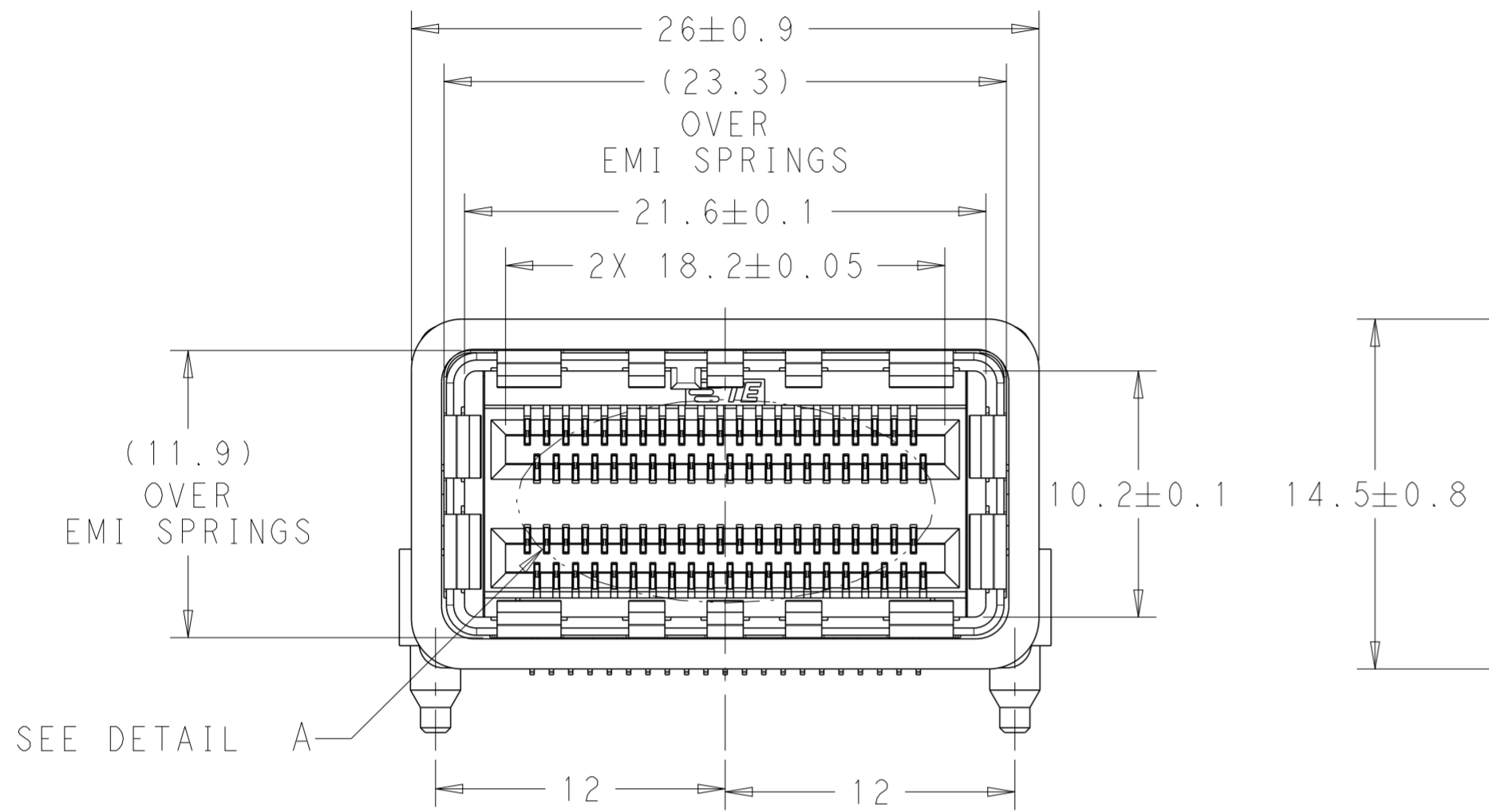
OBSOLETE

3	84 POSITION RECEPTACLE HOUSING SUB-ASSEMBLY	2149448-2
2	84 POSITION RECEPTACLE HOUSING SUB-ASSEMBLY	2149448-1
FINISH	DESCRIPTION	PART NUMBER

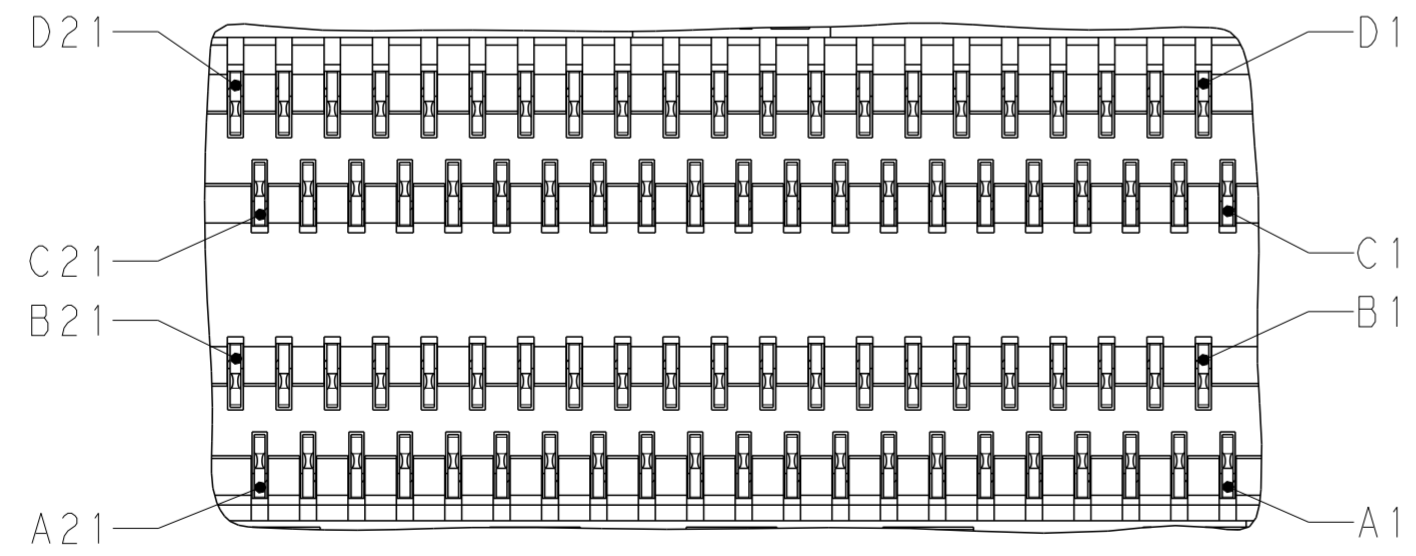
THIS DRAWING IS A CONTROLLED DOCUMENT. DIMENSIONING AND TOLERANCING PER ASME Y14.5M-2009		DWN M. E. COWHER 03AUG2010	TE Connectivity	
DIMENSIONS: mm		CHK M. D. MORRISON 03AUG2010		
TOLERANCES UNLESS OTHERWISE SPECIFIED:		APVD M. D. MORRISON 03AUG2010	NAME RECEPTACLE HOUSING SUB-ASSEMBLY 84 POSITION, CXP	
0 PLC ±0.15	1 PLC ±0.15	PRODUCT SPEC 108-2426	SIZE A2	CAGE CODE 00779
2 PLC ±0.15	3 PLC ±	APPLICATION SPEC 114-13283	DRAWING NO C-2149448	RESTRICTED TO -
4 PLC ±	ANGLES ±0.5	WEIGHT -	SCALE 2:1	SHEET 1 OF 3
MATERIAL 1	FINISH 2	Customer Drawing	REV A	

THIS DRAWING IS UNPUBLISHED. RELEASED FOR PUBLICATION 20
 © COPYRIGHT 20 BY - ALL RIGHTS RESERVED.

REVISIONS				
P	LTR	DESCRIPTION	DATE	APVD
-	-	SEE SHEET 1	-	-



2149448-1
 SCALE 4:1

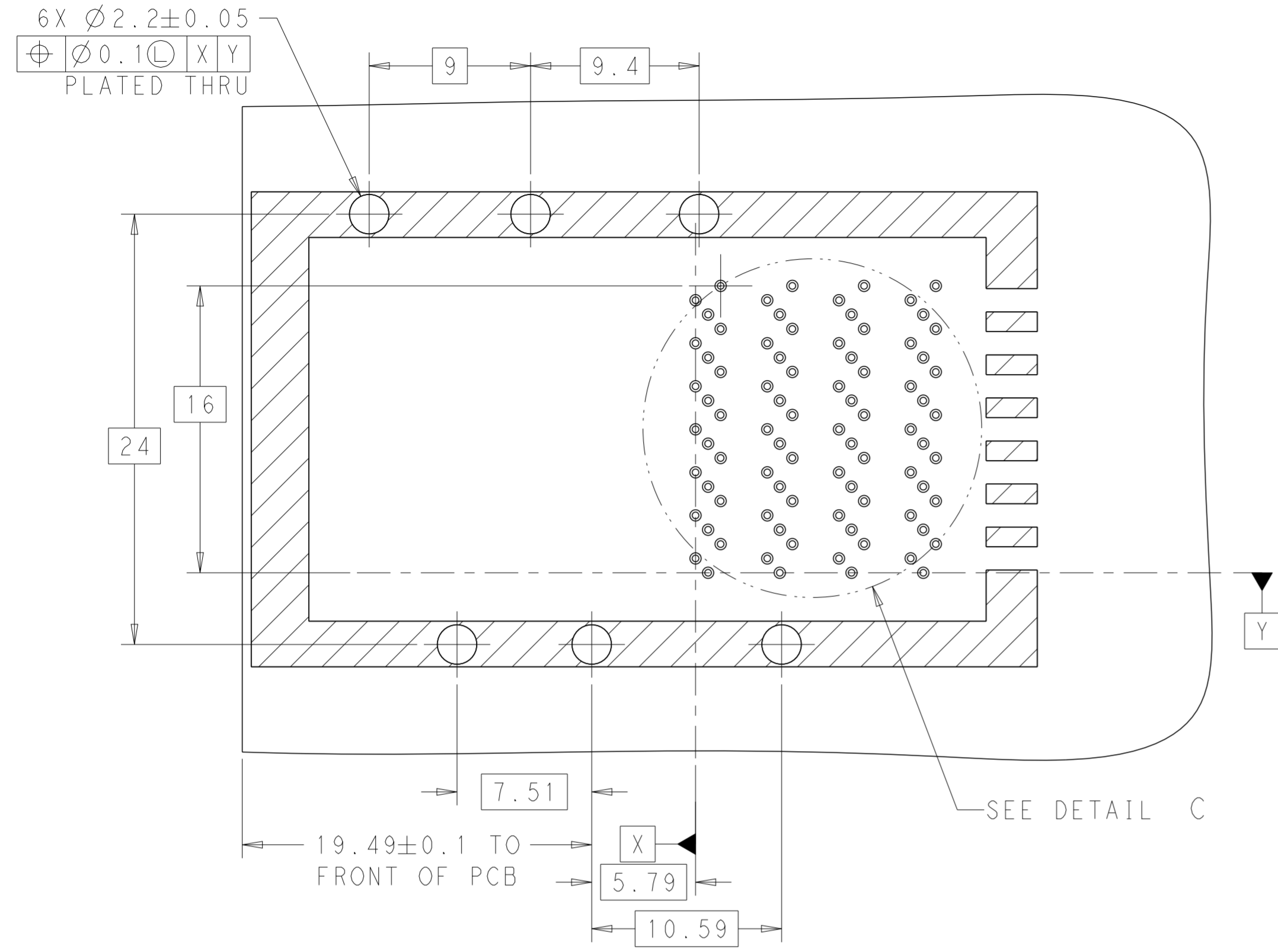


DETAIL A
 RECOMMENDED PIN CALLOUT
 SCALE 8:1

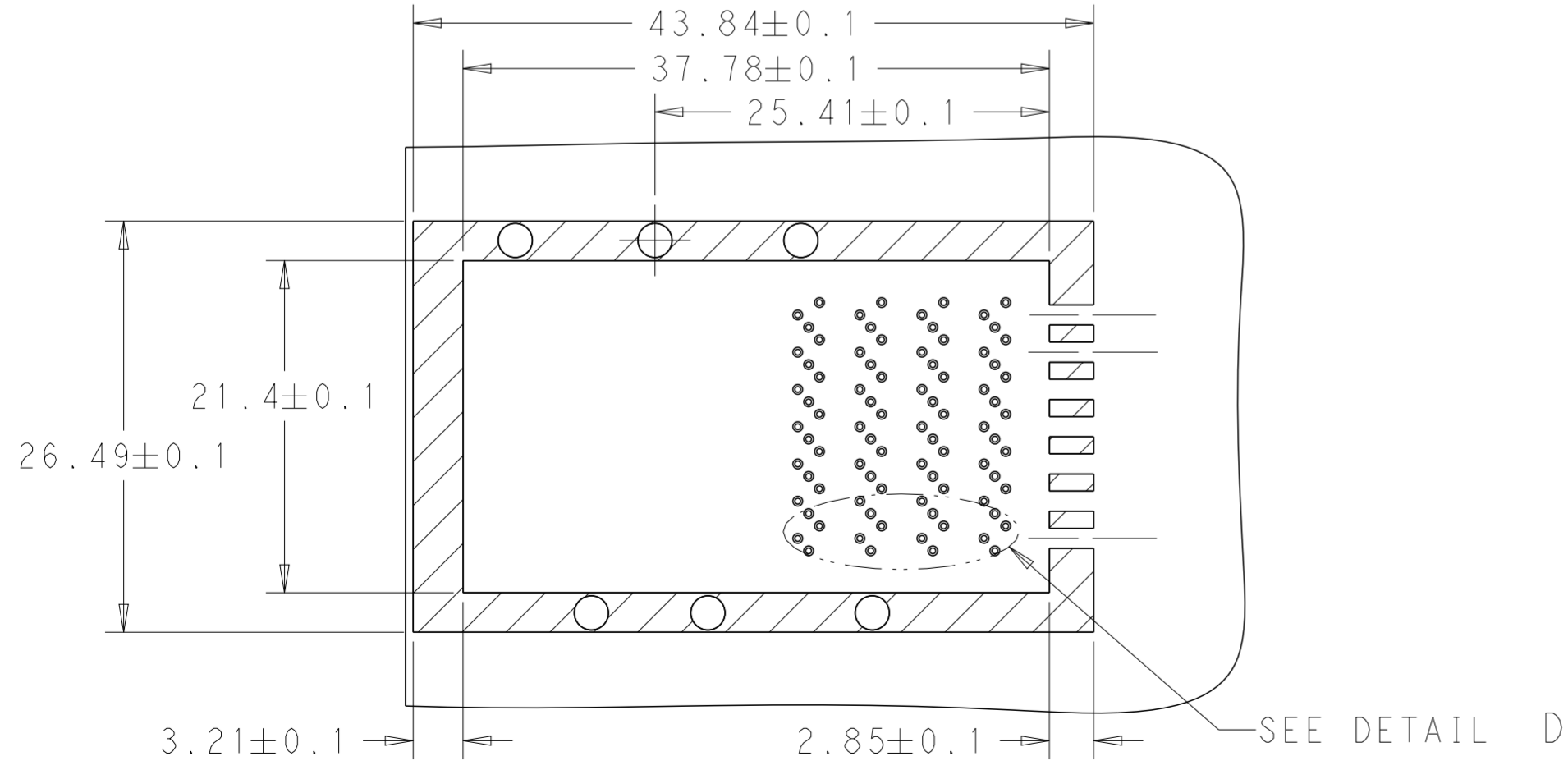
THIS DRAWING IS A CONTROLLED DOCUMENT. DIMENSIONING AND TOLERANCING PER ASME Y14.5M-2009		DWN M. E. COWHER 03AUG2010	TE Connectivity	
DIMENSIONS: mm		CHK M. D. MORRISON 03AUG2010		
TOLERANCES UNLESS OTHERWISE SPECIFIED:		APVD M. D. MORRISON 03AUG2010	NAME RECEPTACLE HOUSING SUB-ASSEMBLY 84 POSITION, CXP	
0 PLC ±0.15 1 PLC ±0.15 2 PLC ±0.15 3 PLC ± 4 PLC ± ANGLES ±0.5 FINISH -		PRODUCT SPEC 108-2426	SIZE A200779	CAGE CODE C-2149448
MATERIAL -		APPLICATION SPEC 114-13283	DRAWING NO C-2149448	RESTRICTED TO -
-		WEIGHT -	SCALE 2:1	SHEET 2 OF 3
-		Customer Drawing	REV A	

THIS DRAWING IS UNPUBLISHED. RELEASED FOR PUBLICATION 20
 © COPYRIGHT 20 BY - ALL RIGHTS RESERVED.

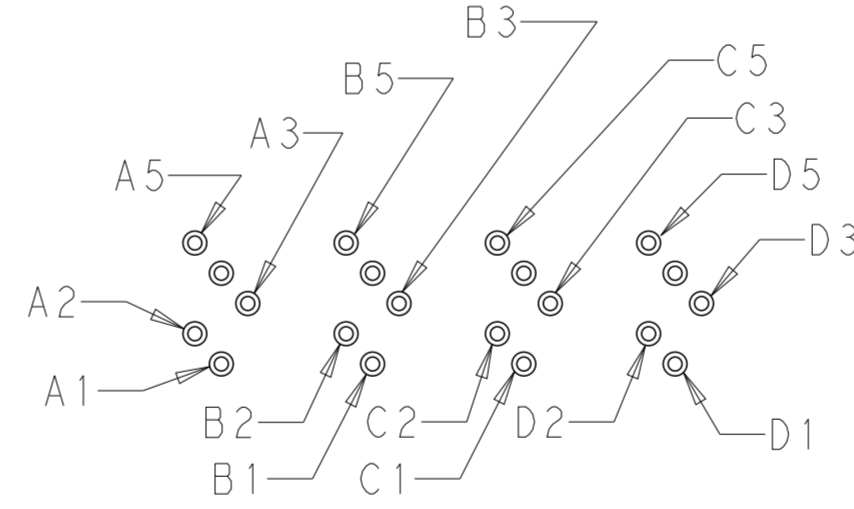
REVISIONS				
P	LTR	DESCRIPTION	DATE	APVD
-	-	SEE SHEET 1	-	-



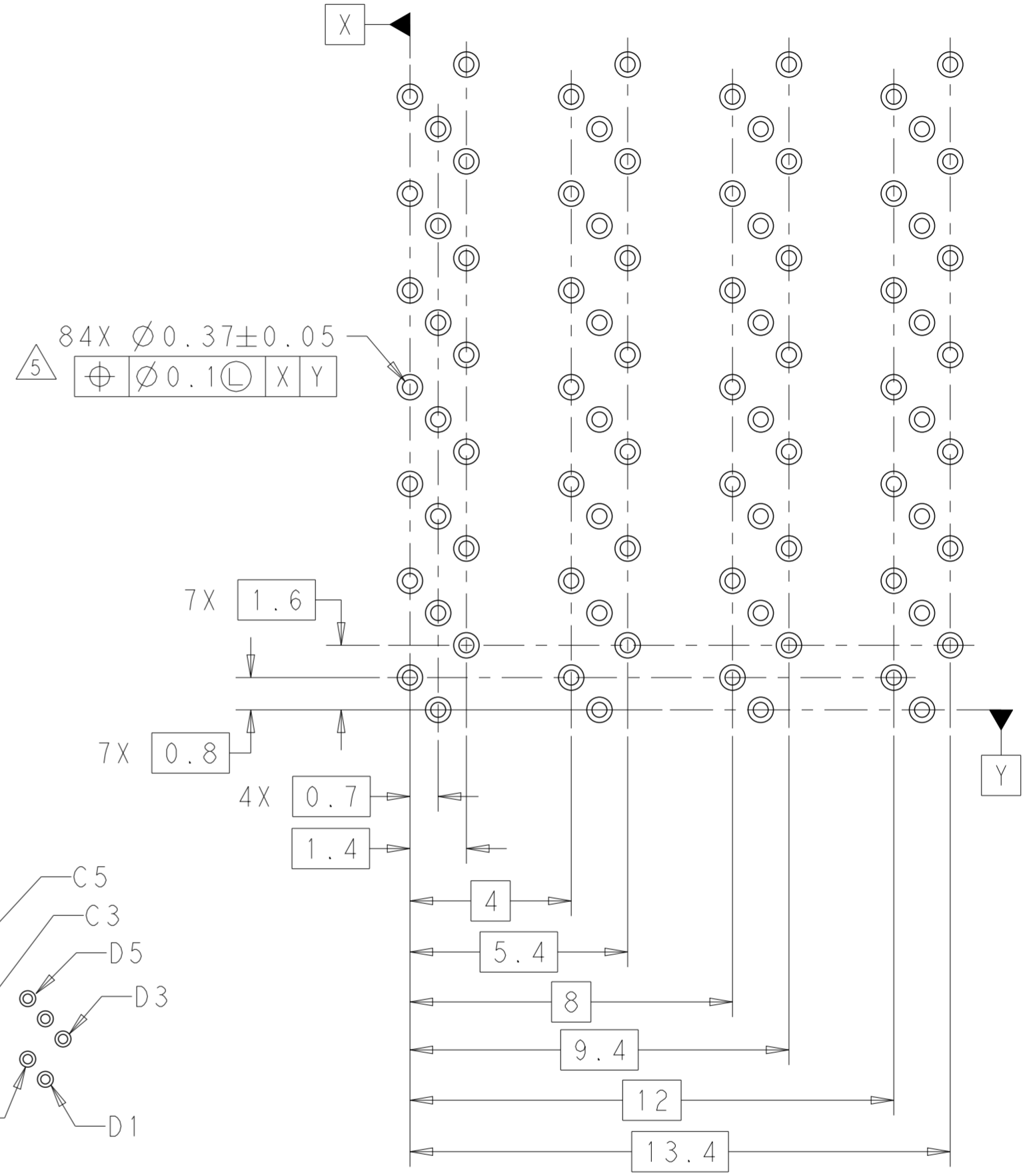
RECOMMENDED PCB LAYOUT COMPONENT SIDE SHOWN SCALE 4:1



RECOMMENDED KEEPOUT AREA SCALE 5:2



DETAIL D PIN CALLOUT (TYPICAL) SCALE 5:1



DETAIL C RECOMMENDED CONNECTOR LAYOUT SCALE 8:1

THIS DRAWING IS A CONTROLLED DOCUMENT. DIMENSIONING AND TOLERANCING PER ASME Y14.5M-2009		DWN M.E. COWHER 03AUG2010	TE Connectivity
DIMENSIONS: mm		CHK M.D. MORRISON 03AUG2010	
TOLERANCES UNLESS OTHERWISE SPECIFIED:		APVD M.D. MORRISON 03AUG2010	NAME RECEPTACLE HOUSING SUB-ASSEMBLY 84 POSITION, CXP
0 PLC ±0.15	1 PLC ±0.15	PRODUCT SPEC 108-2426	SIZE A2
2 PLC ±0.15	3 PLC ±	APPLICATION SPEC 114-13283	CAGE CODE 00779
4 PLC ±	ANGLES ±0.5	WEIGHT -	DRAWING NO C-2149448
MATERIAL -	FINISH -	Customer Drawing	RESTRICTED TO -
SCALE 2:1			SHEET 3 OF 3
REV A			