

NOTES:

1. MATERIALS: HOUSING - LIQUID CRYSTAL POLYMER (LCP)
GLASS-FILLED, UL94V-0
TERMINALS - HIGH PERFORMANCE COPPER ALLOY
2. FINISH: 30uIN GOLD IN CONTACT AREA.
SELECTIVE TIN ON PCB TAILS.
NICKEL OVERALL.
3. REFER TO MOLEX PRODUCT SPECIFICATION PS-171320-999 FOR PERFORMANCE SPECIFICATIONS.
4. THIS PART CONFORMS TO CLASS B REQUIREMENTS OF MOLEX COSMETIC SPEC PS-45499-002.
5. PRODUCT WILL BE PACKAGED PER PK-78888-085.
6. SEE SHEET 2 FOR HOLE PATTERN DIMENSIONS.
7. MATES WITH IMPEL BP SERIES NUMBER 171315.
8. REFER TO IMPEL PCB ROUTING GUIDE AS-171320-990 FOR ANTIPAD, ROUTING RECOMMENDATIONS, AND ADDITIONAL PCB INFORMATION.
9. WHEN STACKING MODULES END TO END, THE MINIMUM COLUMN TO COLUMN HOLE SPACING IS 2.65mm.

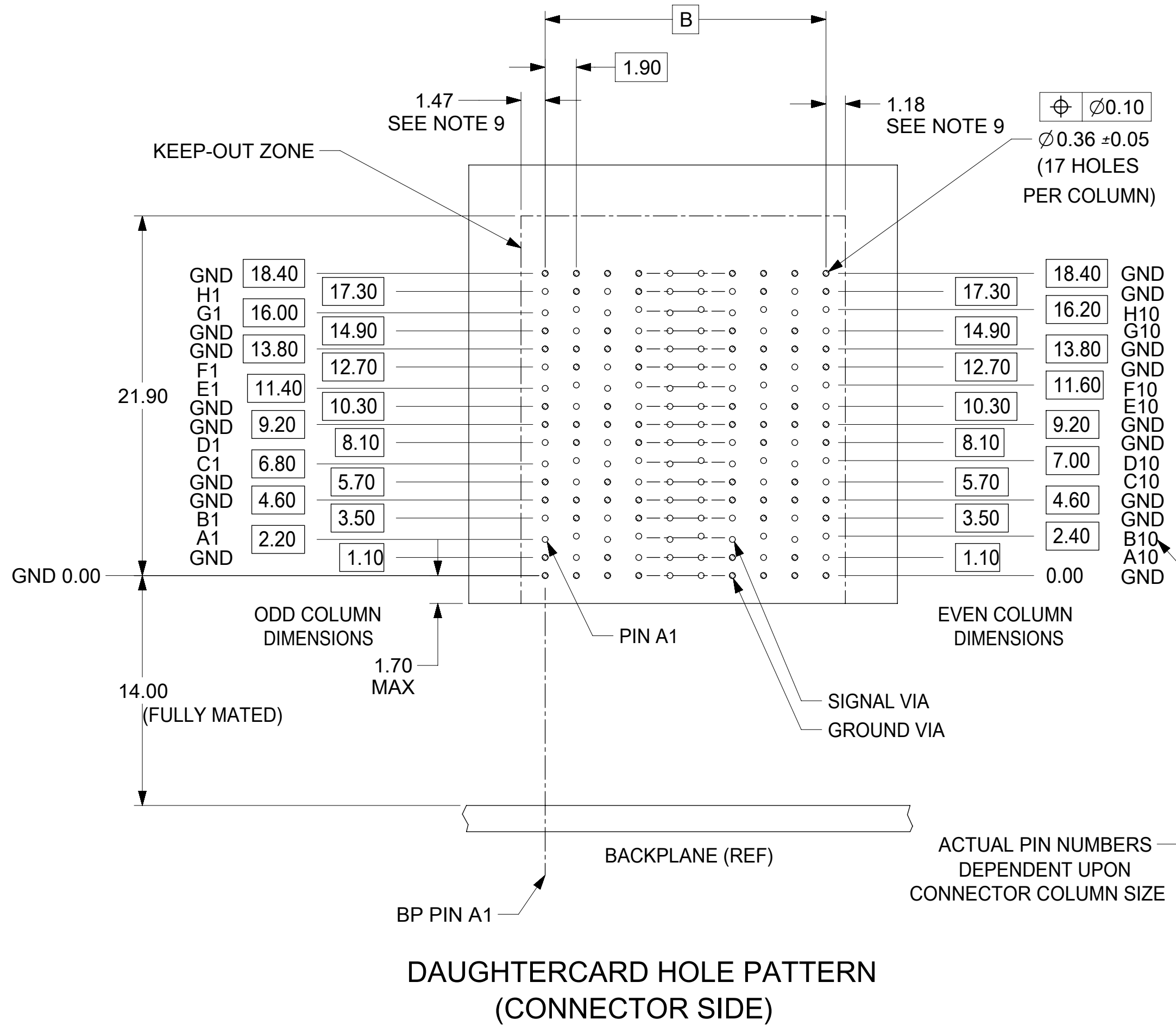
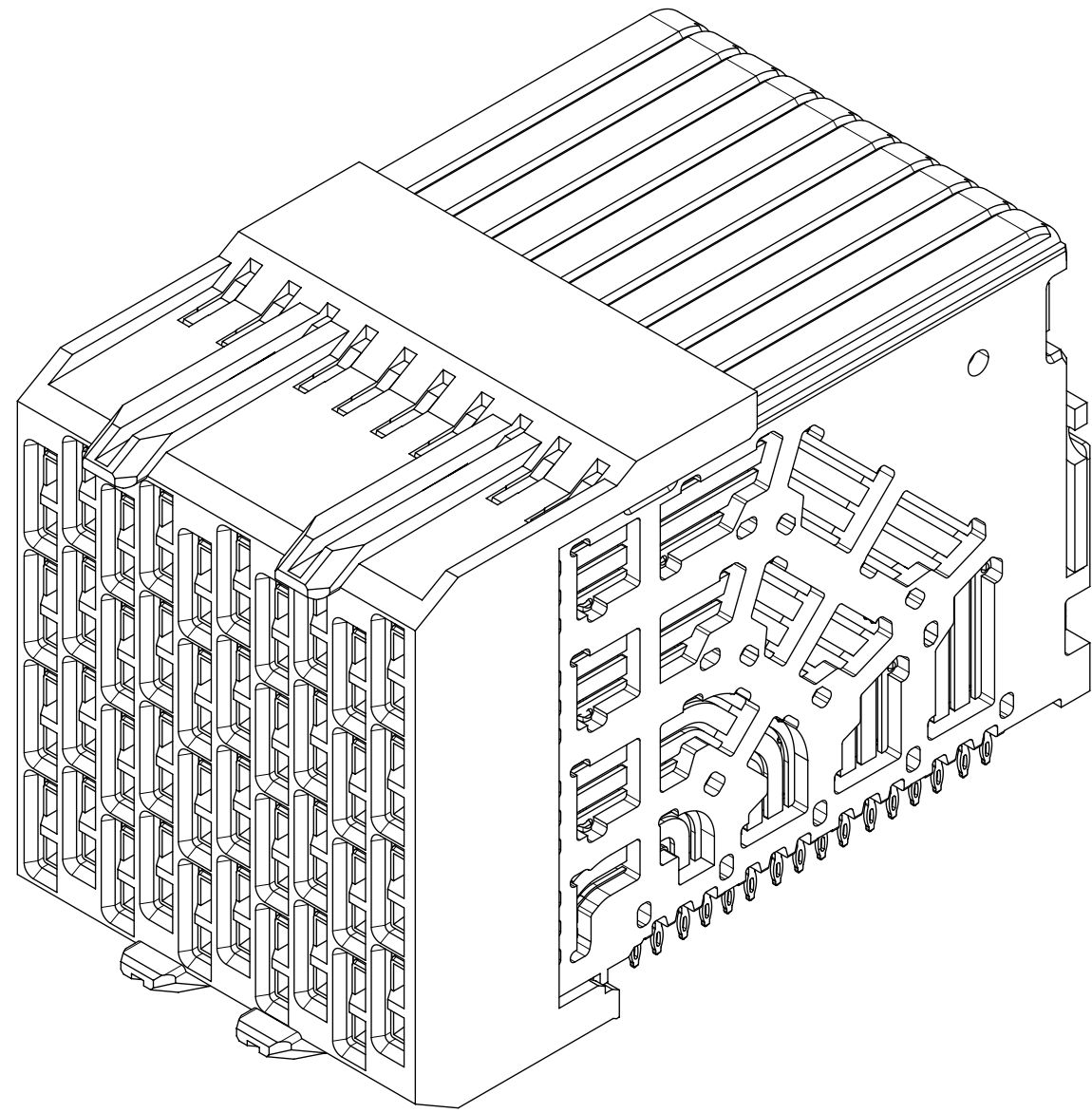
QUALITY SYMBOLS		THIS DRAWING CONTAINS INFORMATION THAT IS PROPRIETARY TO MOLEX ELECTRONIC TECHNOLOGIES, LLC AND SHOULD NOT BE USED WITHOUT WRITTEN PERMISSION									
▽ = 0	▽ = 0	▽ = 0	▽ = 0	▽ = 0	▽ = 0	▽ = 0	▽ = 0	▽ = 0	▽ = 0	▽ = 0	▽ = 0
REMASTERED TO NX		EC NO: 119227		DRWN: SCHANNARAYAN		CHKD: CYLIAW		APPR: DWLE01		REV	
2017/06/22		2017/08/11		2017/08/11		2017/08/28					
GENERAL TOLERANCES (UNLESS SPECIFIED)		DIMENSION UNITS		SCALE		DRWN BY		DATE		SERIES	
ANGULAR TOL ± 0.5 °		MM ONLY		4:1		JLAURX		2012/09/13		171320	
4 PLACES ±						CHKD BY		DATE		MATERIAL NUMBER	
3 PLACES ±						CYLIAW		2017/08/11		SEE CHART	
2 PLACES ± 0.13						APPR BY		DATE		CUSTOMER	
1 PLACE ± 0.25						JBINGHAM		2013/12/06		GENERAL MARKET	
0 PLACES ±						DRAWING SIZE		THIRD ANGLE PROJECTION		DOC TYPE	
DRAFT WHERE APPLICABLE MUST REMAIN WITHIN DIMENSIONS		C								DOC PART SHEET NUMBER	
										001 1 OF 2	

molex

IMPEL DAUGHTERCARD ASSY
4 PAIR - 1.9MM PITCH UNGUIDED SALES DRAWING

PRODUCT CUSTOMER DRAWING

MATERIAL NUMBER	NUMBER OF COLUMNS	NUMBER OF DIFF PAIR	DIM "A"	DIM "B"
171320-1038	8	32	15.95 MAX	13.30
171320-1020	10	40	19.75 MAX	17.10
171320-1022	12	48	23.55 MAX	20.90
171320-1024	14	56	27.35 MAX	24.70
171320-1026	16	64	31.15 MAX	28.50



DAUGHTERCARD HOLE PATTERN
(CONNECTOR SIDE)

QUALITY SYMBOLS	THIS DRAWING CONTAINS INFORMATION THAT IS PROPRIETARY TO MOLEX ELECTRONIC TECHNOLOGIES, LLC AND SHOULD NOT BE USED WITHOUT WRITTEN PERMISSION		DIMENSION UNITS		SCALE	molex
▽ = 0	GENERAL TOLERANCES (UNLESS SPECIFIED)		MM ONLY	4:1	IMPEL DAUGHTERCARD ASSY 4 PAIR - 1.9MM PITCH UNGUIDED SALES DRAWING	
▽ = 0	REMASTERED TO NX	EC NO: 119227	DRWN BY: JLAURX			DATE: 2012/09/13
▽ = 0	DRWN: SCHANNARAYAN	2017/06/22	CHKD BY: CYLIAW		DATE: 2017/08/11	
▼ = 0	CHKD: CYLIAW	2017/08/11	APPR BY: JBINGHAM		DATE: 2013/12/06	SERIES: 171320
▽ = 0	REV: APPR: DWLEED01	2017/08/28	DRAFT WHERE APPLICABLE MUST REMAIN WITHIN DIMENSIONS		DRAWING SIZE: C	MATERIAL NUMBER: SEE CHART
☒ = 0	THIRD ANGLE PROJECTION		DRAWING SIZE: C		THIRD ANGLE PROJECTION	CUSTOMER: GENERAL MARKET
■ = 0	A3		DOCUMENT NUMBER: SD-171320-0001		DOC TYPE: PSD	DOC PART: 001
▽ = 0	RELEASE STATUS: P1		RELEASE DATE: 28.08.2017 14:20:58		SHEET NUMBER: 2 OF 2	