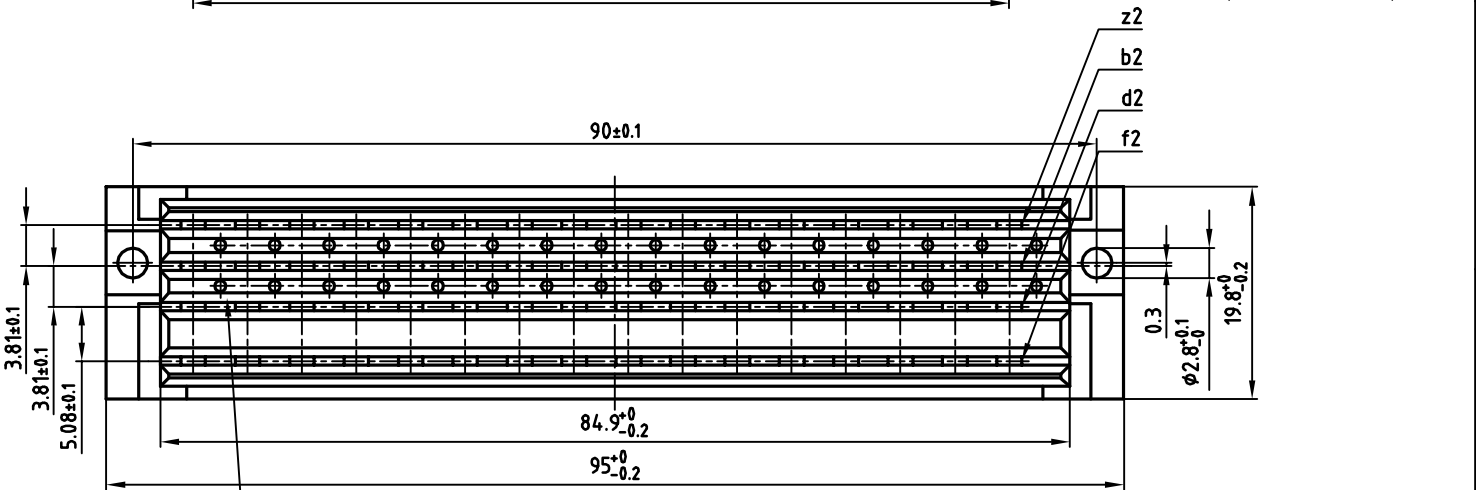
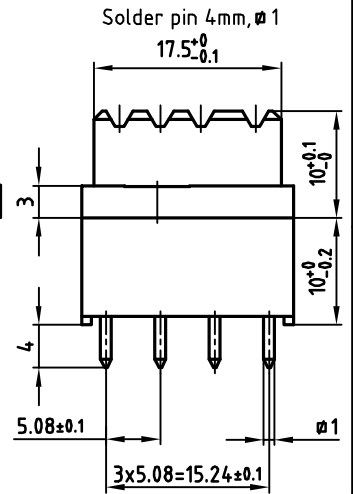
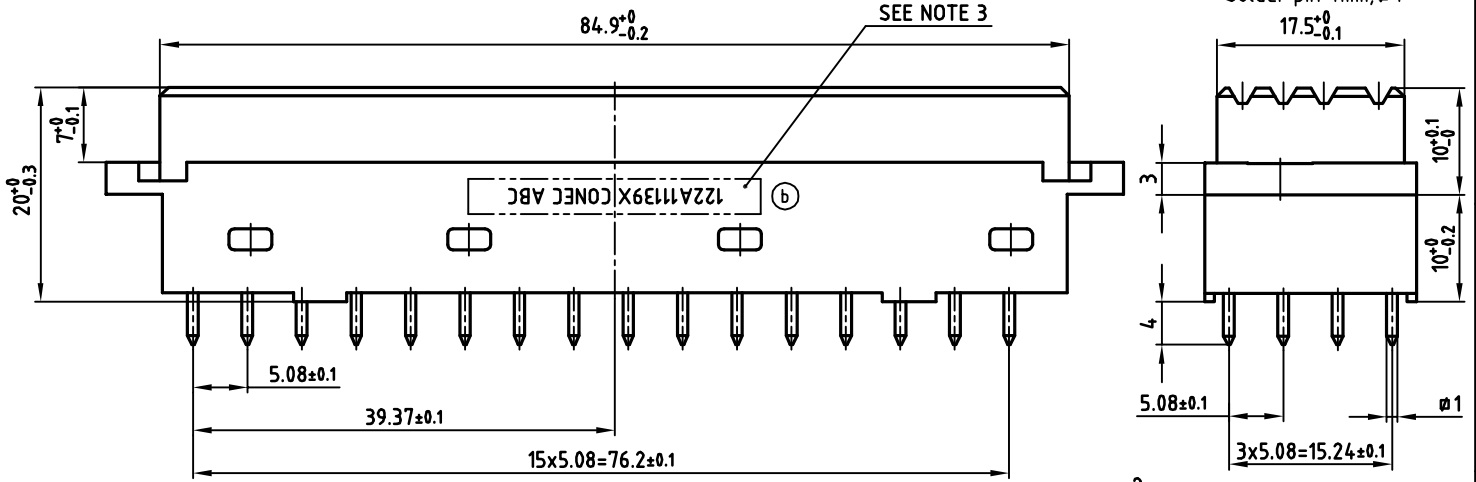


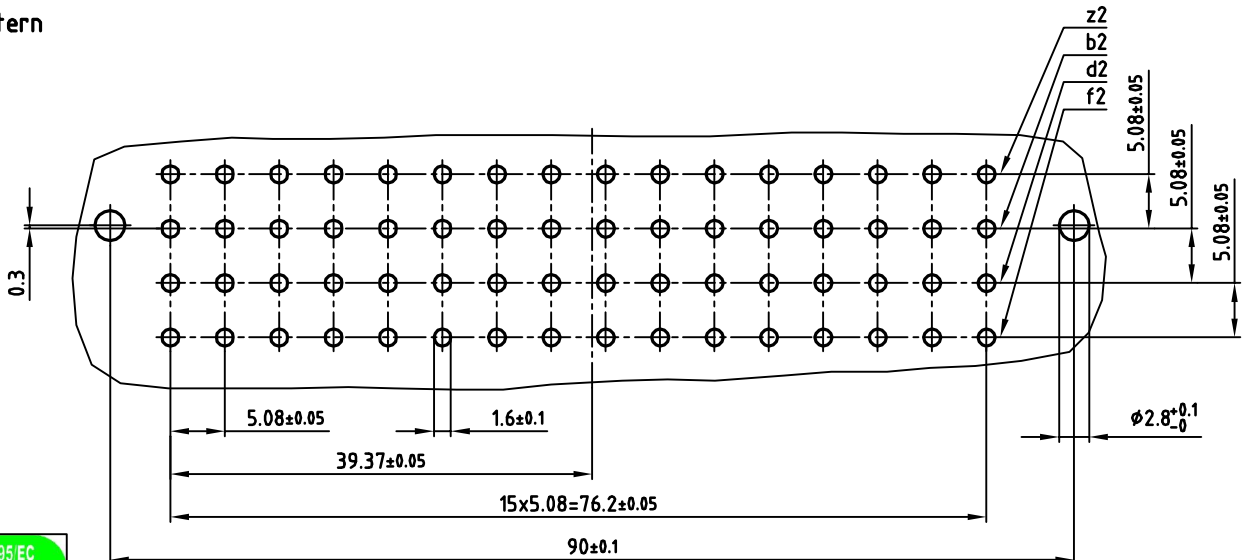
used for: DIN 41612 (EN 60603-2) "G"



**NOTES:**

1. INSULATORS: PBT GF UL 94 V-0, GREY
2. CONTACTS: COPPER ALLOY  
PLATING: GOLD over NICKEL  
50 MATING CYCLES
3. CONNECTOR IS PART MARKED:  $122A11139X \text{ CONEC ABC}$

**PCB-Hole pattern**



Directive 2002/95 EC  
„RoHS“  
Compliant

APPROVAL # FREIGABE # DEBLOCAGE # AUTORIZACION # APPROVAL	
CUSTOMER APPROVAL DATE:	
NAME:	TITLE:
COMPANY NAME:	
APPROVAL # FREIGABE # DEBLOCAGE # AUTORIZACION # APPROVAL	

THIS DRAWING MAY NOT BE COPIED OR REPRODUCED IN ANY WAY, AND MAY NOT BE PASSED ON TO A THIRD PARTY WITHOUT WRITTEN PERMISSION. OWNERSHIP AND COPYRIGHT OF CONEC GmbH DO NOT ALTER CAD DRAWING BY HAND			
1 x b	Ä3203	01.12.2008	Petker
a	Origin		
rev.	description	date	name

tolerance	dim. in mm	
2007	date	
drawn	10.04.	Schwenkler
appd.	10.04.	Mickenbecker
norm	DIN 41612 (EN 60603-2)	
d-old		

scale:	2:1	
material:	SEE NOTES	
title:	<b>Female connector Type "G"</b> 64Pos. Solder pin straight, 1x1mm	
dwg no:	AutoCAD 2006	DIN-A
	12K2IH5A	3
part no:	122A11139X	sh: 1/1