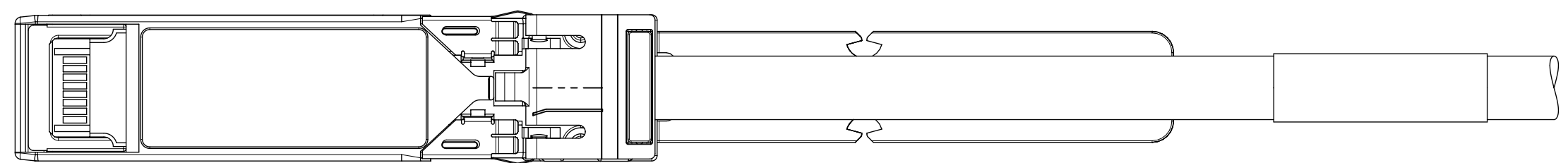
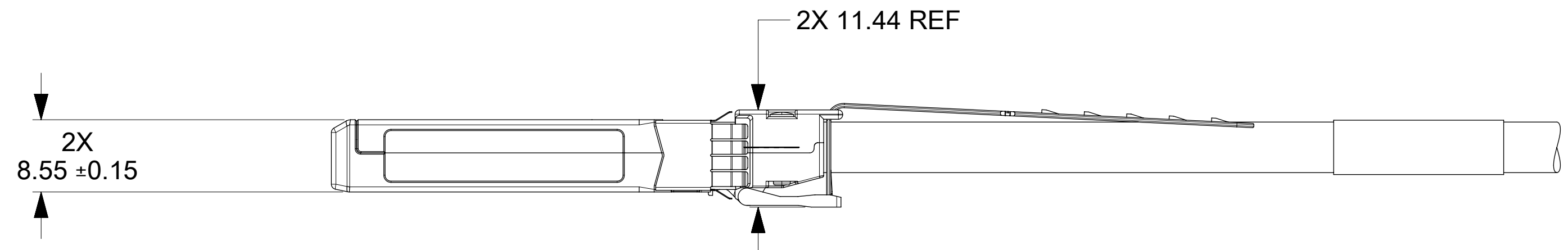


LENGTH  
(SEE P/N TABLE)



MOLEX P/N	LENGTH [M]	TOL [mm]	AWG
747521058	0.5	±30	30
747521108	1.0	±50	30
747521158	1.5	±50	30
747521208	2.0	±50	30
747521258	2.5	±50	30
747521308	3.0	±50	30
747521355	3.5	±50	30
747521408	4.0	±50	30
747521508	5.0	±80	30

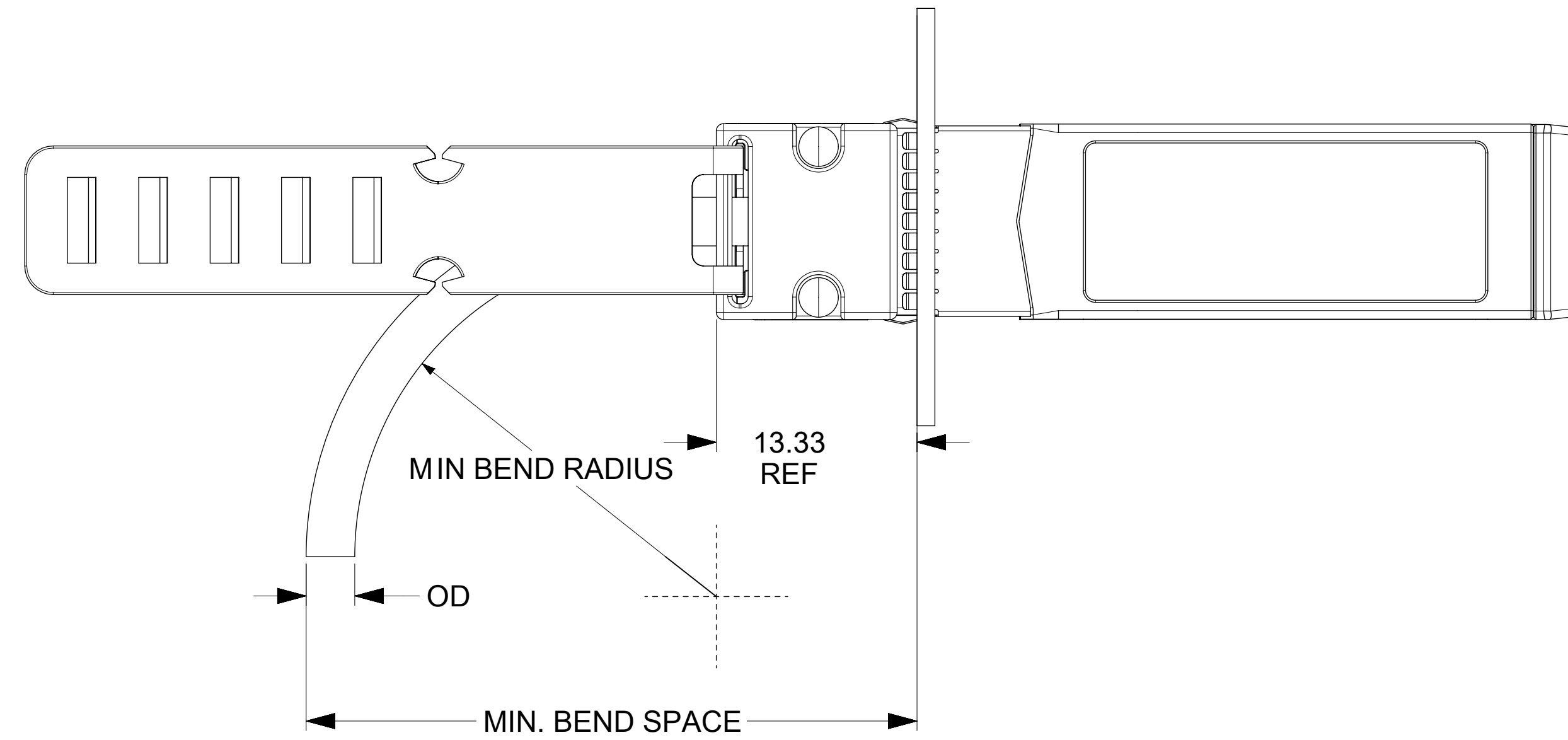
- NOTES:
- MATERIALS  
 RAW CABLE - PVC  
 BACKSHELLS - NICKEL PLATED ZINC  
 DE-LATCH - PLASTIC  
 PULL - NYLON  
 PCB - HALOGEN FREE LAMINATE MATERIAL
  - IMPEDANCE - 100OHMS DIFFERENTIAL
  - RoHS COMPLIANT, NO EXEMPTIONS
  - EEPROM COMPLIANT TO SFF-8472 REV 11.0

THIS DRAWING CONTAINS INFORMATION THAT IS PROPRIETARY TO MOLEX ELECTRONIC TECHNOLOGIES, LLC AND SHOULD NOT BE USED WITHOUT WRITTEN PERMISSION

DIMENSION UNITS <b>mm</b>	SCALE <b>2:1</b>	CURRENT REV DESC: OBSOLETE PART NUMBER AS PER PCN#509457.	<b>molex</b>		
GENERAL TOLERANCES (UNLESS SPECIFIED)					
ANGULAR TOL ± 2.0°		EC NO: 680890	PRODUCT CUSTOMER DRAWING		
4 PLACES ±		DRWN: SANTHN 2021/10/08	DOCUMENT NUMBER		
3 PLACES ±		CHK'D: GGA 2021/11/25	DOC TYPE   DOC PART   REVISION		
2 PLACES ± 0.13		APPR: GGA 2021/11/25	747520008   PSD   000   H1		
1 PLACE ± 0.25		INITIAL REVISION: DRWN: EMEDINA02 2016/04/13	MATERIAL NUMBER		
0 PLACES ±		APPR: ARAYBURN 2016/04/18	CUSTOMER		
DRAFT WHERE APPLICABLE MUST REMAIN WITHIN DIMENSIONS	THIRD ANGLE PROJECTION	DRAWING	SERIES	SHEET NUMBER	
		<b>D-SIZE</b>	<b>74752</b>	<b>1 OF 3</b>	
		SEE P/N TABLE	GENERAL MARKET		

DOCUMENT STATUS	P1	RELEASE DATE	2021/11/25	12:19:23
-----------------	----	--------------	------------	----------

### CABLE BEND RADIUS



CABLE AWG	CABLE OD [mm]	MINIMUM BEND RADIUS [mm]	MINIMUM BEND SPACE [mm]
30	4.20	21	38
26	5.20	26	44

P1 END			P2 END		
PAD	SIGNAL		PAD	SIGNAL	
12	RD-	←	19	TD-	
13	RD+	←	18	TD+	
18	TD+	→	13	RD+	
19	TD-	→	12	RD-	
02	Tx_Fault	NC NC	02	Tx_Fault	
03	Tx_Disable	NC NC	03	Tx_Disable	
04	SDA	■ ■	04	SDA	
05	SCL	■ ■	05	SCL	
06	Mod_ABS	NC NC	06	Mod_ABS	
07	RS0	NC NC	07	RS0	
08	Rx_LOS	NC NC	08	Rx_LOS	
09	RS1	NC NC	09	RS1	
15	VccR	NC NC	15	VccR	
16	VccT	NC NC	16	VccT	

- LEGEND:**
- - THRU LINES
  - NC - NOT CONNECTED
  - - CONNECTION TO A DEVICE ON THE PCB

THIS DRAWING CONTAINS INFORMATION THAT IS PROPRIETARY TO MOLEX ELECTRONIC TECHNOLOGIES, LLC AND SHOULD NOT BE USED WITHOUT WRITTEN PERMISSION

DIMENSION UNITS <b>mm</b>	SCALE <b>3:1</b>	CURRENT REV DESC: OBSOLETE PART NUMBER AS PER PCN#509457.			
GENERAL TOLERANCES (UNLESS SPECIFIED)					
ANGULAR TOL	± 2.0°	EC NO: 680890	DOCUMENT NUMBER: <b>747520008</b> DOC TYPE: PSD    DOC PART: 000    REVISION: H1		
4 PLACES	±	DRWN: SANTHN    2021/10/08			
3 PLACES	±	CHK'D: GGA    2021/11/25	INITIAL REVISION: DRWN: EMEDINA02    2016/04/13 APPR: ARAYBURN    2016/04/18		
2 PLACES	± 0.13	APPR: GGA    2021/11/25			
1 PLACE	± 0.25		THIRD ANGLE PROJECTION 		
0 PLACES	±				
			SEE P/N TABLE    GENERAL MARKET    2 OF 3		

