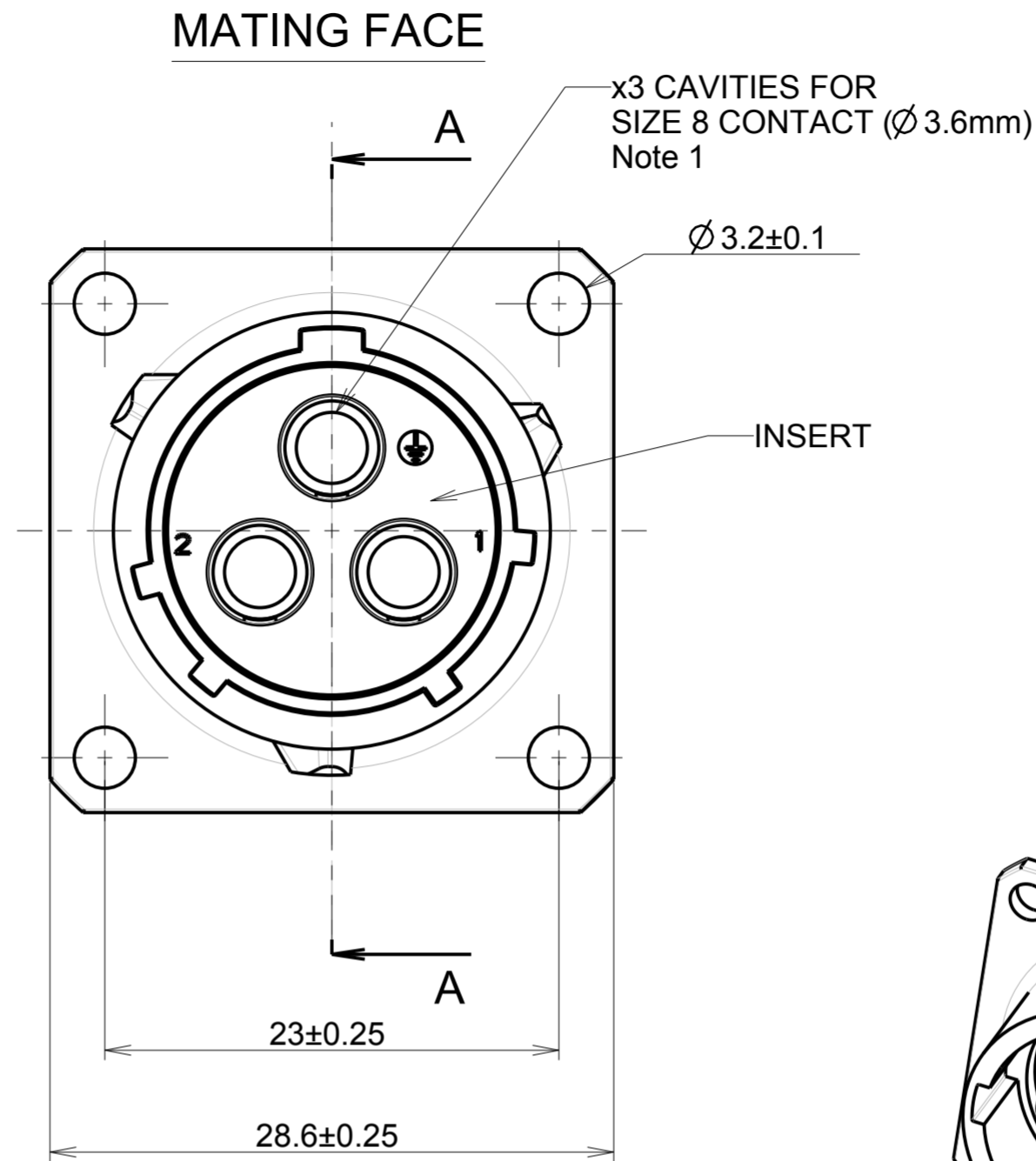
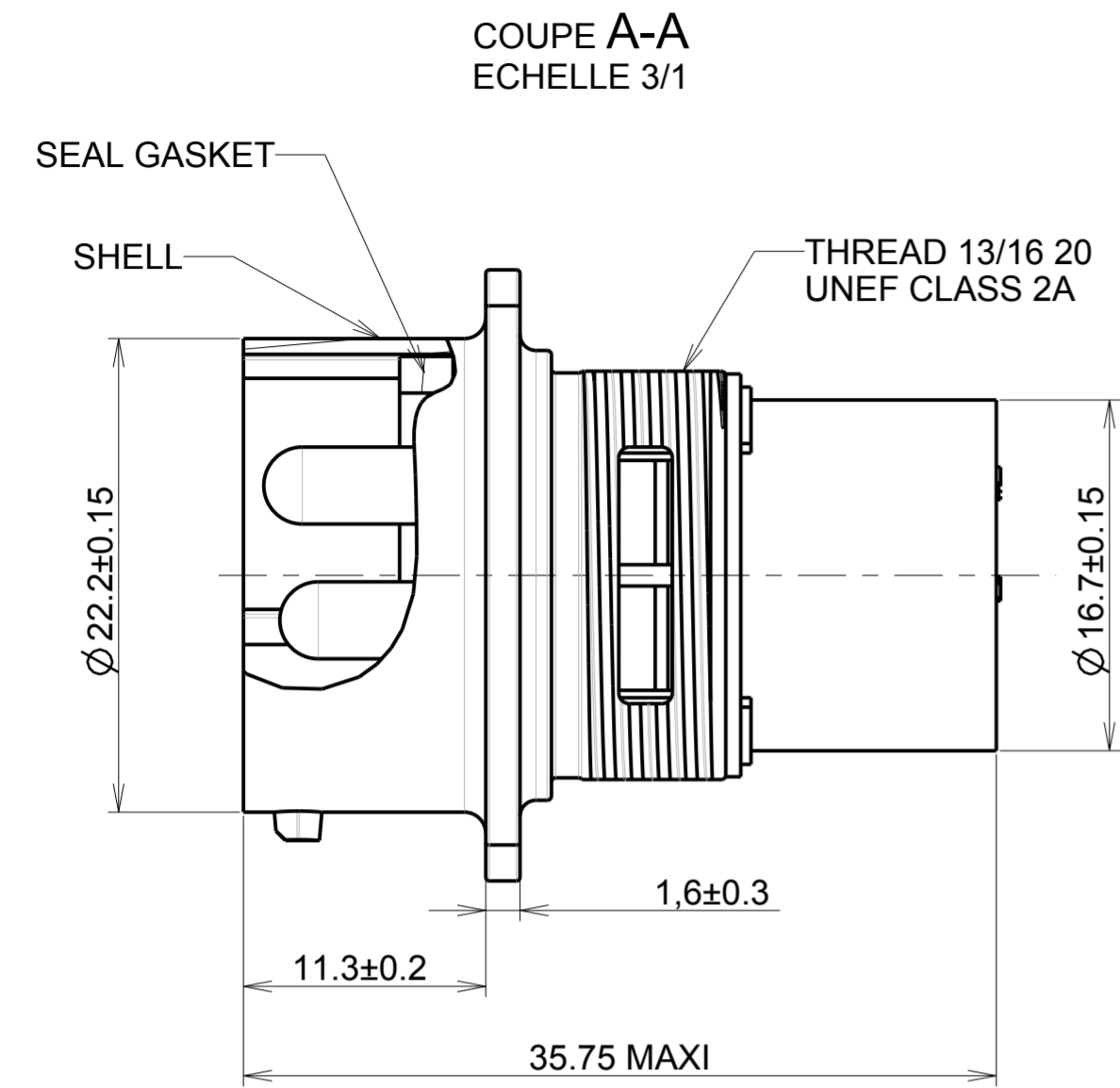


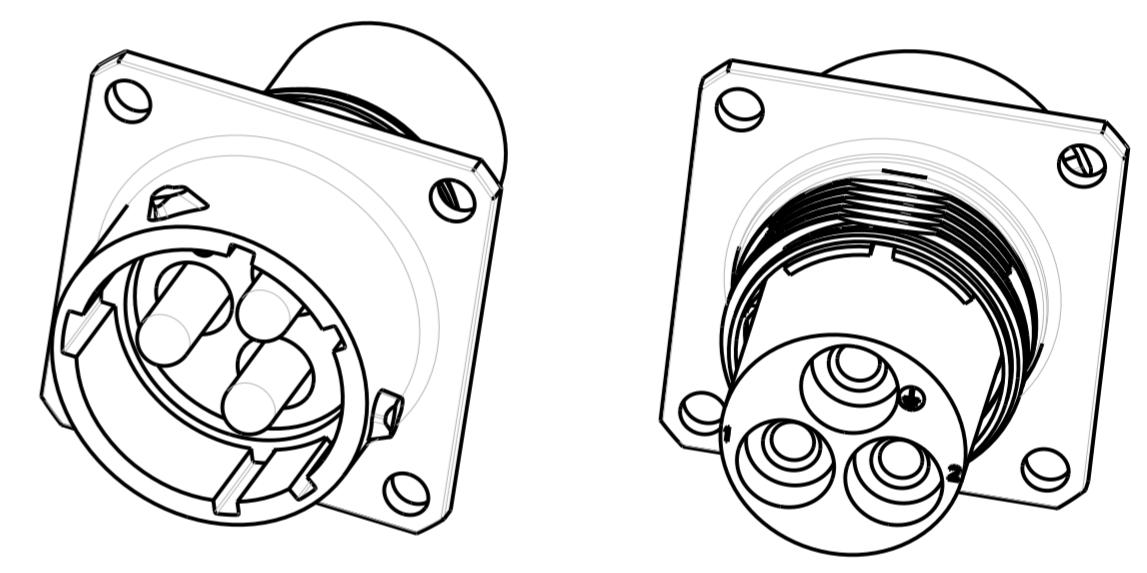
a : 1 : RL



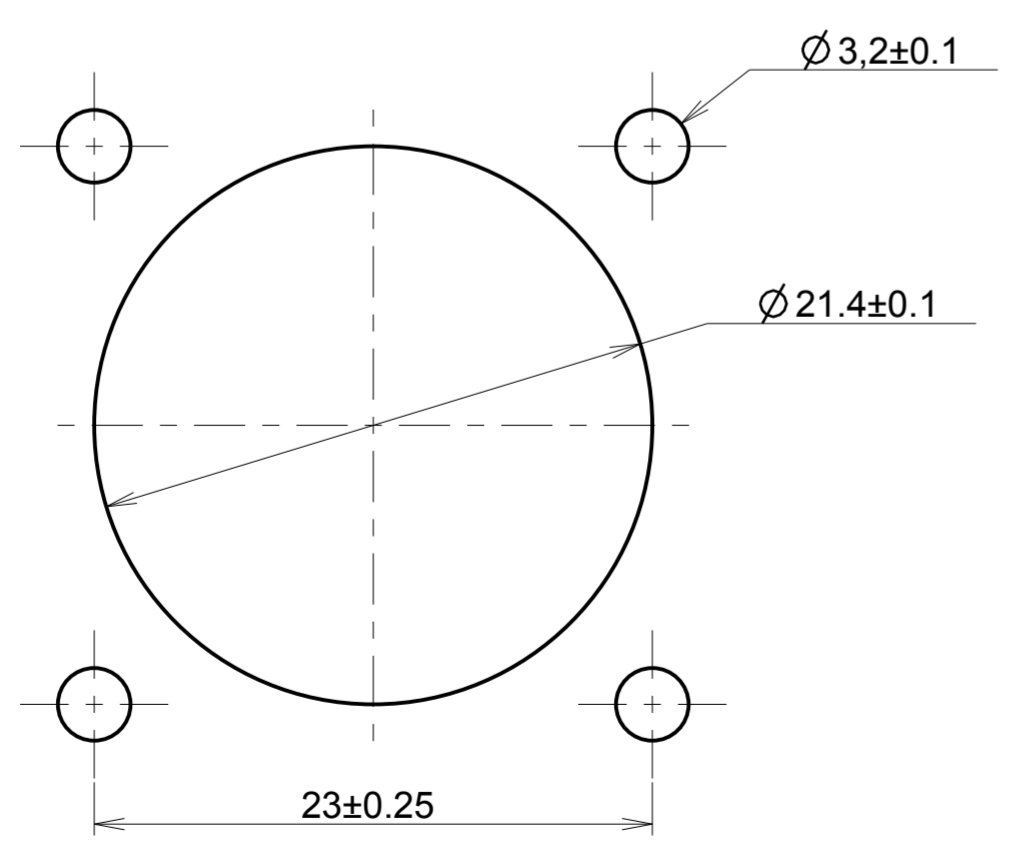
MATERIAL :
Shell: Zinc alloy nickel plated
Insert: Polyamid UL94 V-0
Seal gasket : Sealing IP68/69K : Silicon
Sealing IP67 : NBR

PERFORMANCE CHARACTERISTICS :
Operating temperature: -40°C up to 105°C
Insulation resistance: 5000 M Ω min
Test potential: 2000 Vrms between pole
Corrosion salt spray: 48 hours
Durability: 500 matings and unmatings
Sealing in mated conditions:
-IP67
-IP68 3 bar during 30min: immersion under 30 m of water. (IEC 60529)
-IP69K : exposure to high pressure water of cleaning equipment (DIN 40050)

NOTES :
-1-Contact to be ordered separately : refer to TRIM TRIO catalog
-2-Earth cavity is a First mate last break contact



PANEL CUT OUT



UT00 14 2G1 P H6

Receptacle UT0
Shell size
Insert arrangement
P = male contact
Sealing : level IP68 and IP69K
or H: level IP67

P/N : UT00142G1PH6

CUSTOMER DRAWING

a	19/04/11	New drawing		MOD N°
ISS	DATE	Latest modification - by:		MOD N°
Designed by: J.FEURPRIER		Date: 19/04/11	CUSTOMER DRAWING	
TITLE		UT0 CONNECTOR RECEPTACLE SIZE 14 LAYOUT 3 POWER CONTACT		
Scale	1/1	General linear Tolerances: ± 0.1	NPRDS / PROJECT	
		WWW.SOURIAU.COM		This document is the property of SOURIAU. It must not be reproduced or communicated without permission.
FORMAT	A2	SOURIAU DRG N° UT00142G1PH6-C		SHEET 1 / 1