



PRODUCT CHANGE NOTIFICATION

PRODUCT CHANGE NOTIFICATION NUMBER: P11893

PCN DATE: April 4, 2022

PART AFFECTED:

SS-52100-002

GENERAL PRODUCT DESCRIPTION:

USB Type-A Vertical Receptacle

REASON FOR CHANGE:

Manufacturing change

DESCRIPTION OF CHANGES:

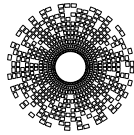
See Page 2

ESTIMATED IMPLEMENTATION DATE:

Effective after existing inventory is consumed.

SIGNATURE:

Erin Thomas
Product Specialist



stewart
CONNECTOR
a bel group

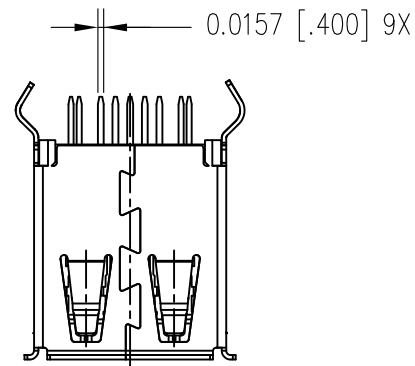
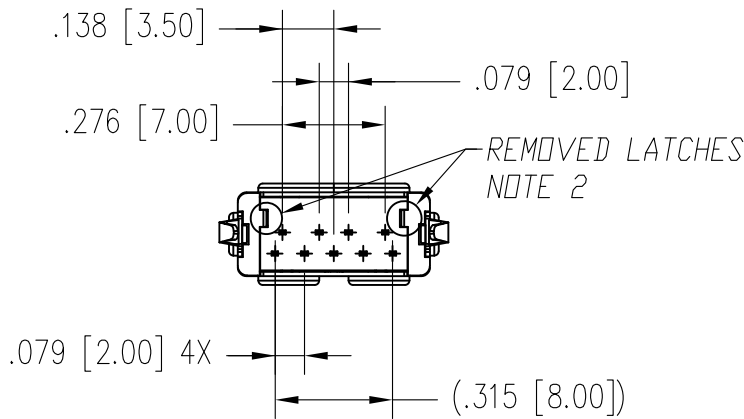
11118 Susquehanna Trail South
Glen Rock, PA 17327-9199
(717) 235-7512
<http://www.stewartconnector.com>

**PRODUCT
CHANGE
NOTIFICATION**

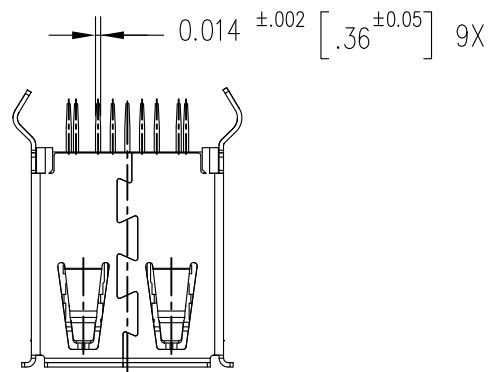
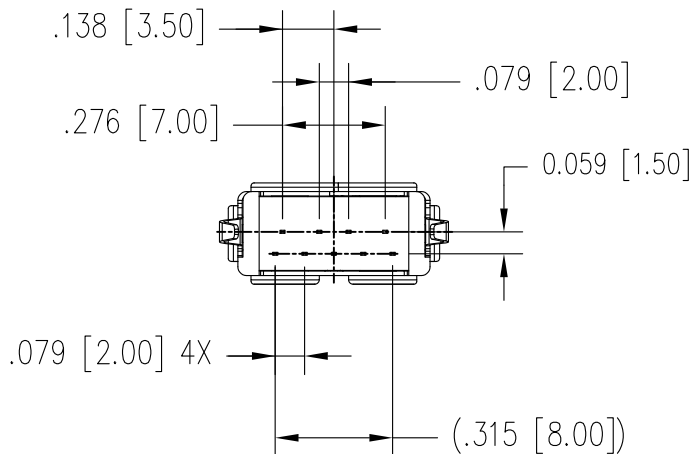
DATE	REV
3/22/22	A0

PRODUCT CHANGE NOTIFICATION

1. CONTACT WIDTH CHANGED FROM .0157" TO .014"
2. REAR PLASTIC CHANGED FROM TWO PIECE DESIGN TO ONE PIECE DESIGN ALLOWING REMOVAL OF LATCHES



OLD DESIGN

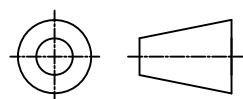


NEW DESIGN

SHEET 1 OF 1

THIS DRAWING AND THE SUBJECT MATTER SHOWN THEREON ARE CONFIDENTIAL AND THE PROPRIETARY PROPERTY OF STEWART CONNECTOR AND SHALL NOT BE REPRODUCED, COPIED, OR USED IN ANY MANNER WITHOUT PRIOR WRITTEN CONSENT OF STEWART CONNECTOR. ONE OR MORE U.S. PATENTS MAY APPLY TO THIS PRODUCT. FOR DETAILS, PLEASE VISIT: [HTTP://BELFUSE.COM/STEWART/STEWART_PATENTS/](http://BELFUSE.COM/STEWART/STEWART_PATENTS/)

THIRD ANGLE PROJECTION



DIMENSIONS SHOWN ARE SUBJECT TO CHANGE WITHOUT NOTICE

DIMENSIONS: INCHES [METRIC]

UNLESS OTHERWISE SPECIFIED TOLERANCES ARE ±.005 [0.13] ANGLES ARE ± 1°

DRN BY:	GWL	DATE	3/21/22
APPD BY:	JMM	DATE	3/22/22
DWG NO.	PC11938	REV.	A0