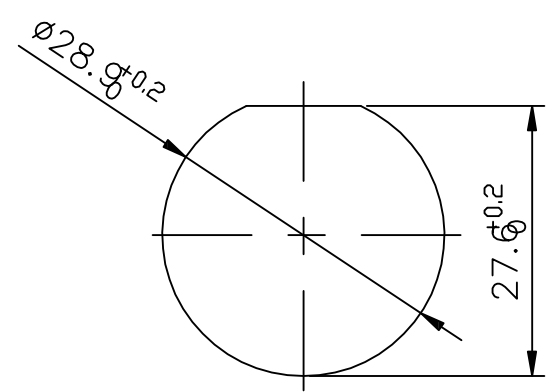
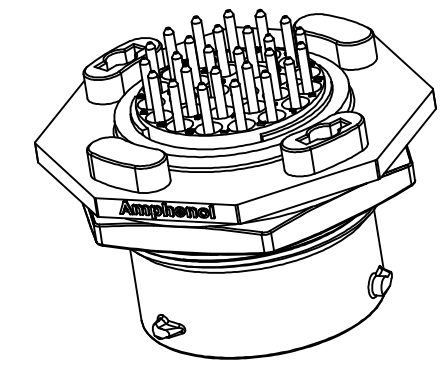
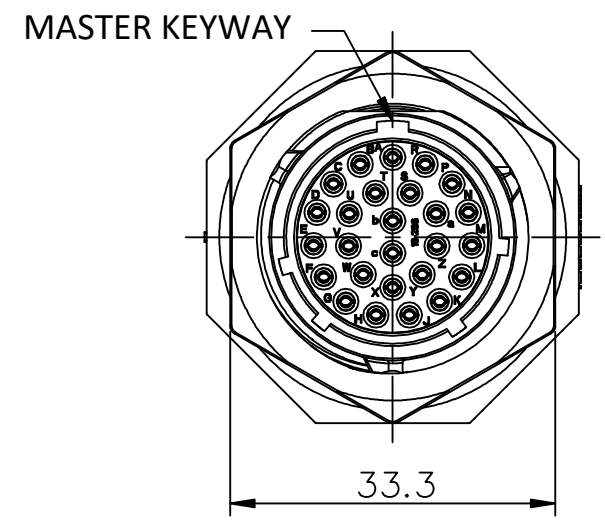
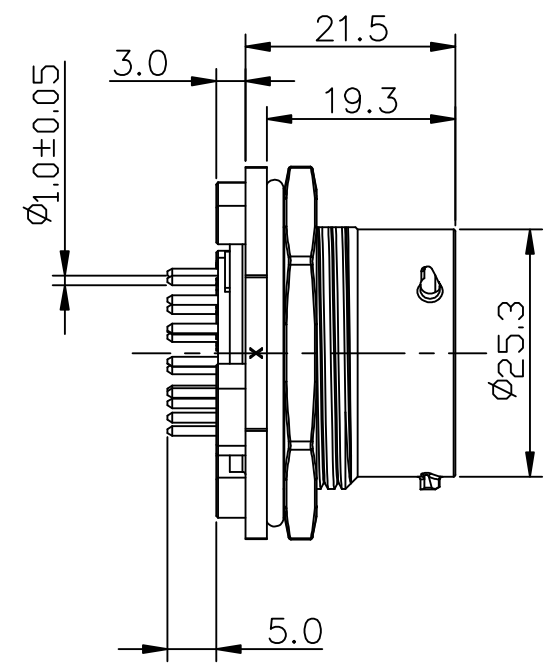
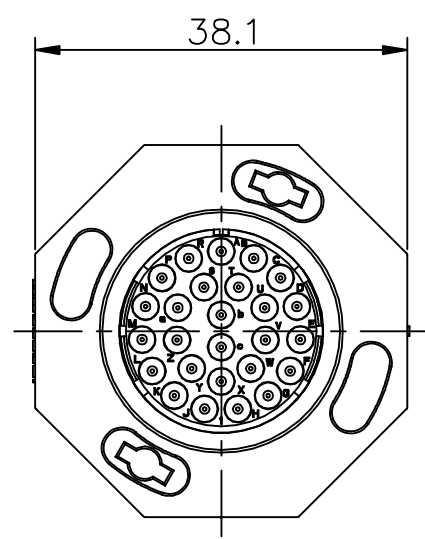
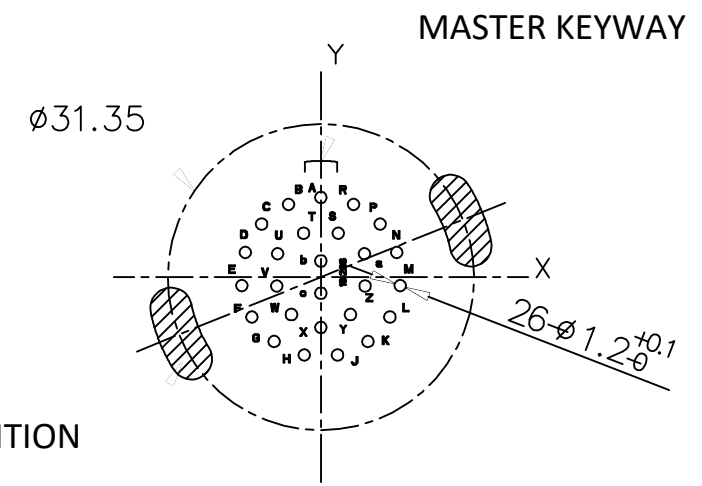


REVISIONS					
REV	ECO	DESCRIPTION	DATE	BY	APPR
A1	-	RELEASED DRAWING	Jul-29-2019	Ronald	Tommy



RECOMMEND MOUNTING HOLE



PAD POSITION

RECOMMEND PCB LAYOUT

NOTES: (UNLESS OTHERWISE SPECIFIED)

- MATERIAL:
 - SHELL: THERMOPALSTIC, UL94 V-0.
 - INSERT: THERMOPLASTIC, UL94 V-0.
 - O-RING: NBR/SILICONE RUBBER.
 - FIXED RUBBER: NBR/SILICONE RUBBER.
 - SEAL GASKET: NBR/SILICONE RUBBER.
 - JAM NUT: ALUMINIUM ALLOY, BLACK ANODIZING.
 - CONTACT: COPPER ALLOY, GOLD PLATED.
- SPECIFICATIONS:
 - 2.1 RATED CURRENT: MACHINED CONTACT 7.5A(MAX).
 - 2.2 RATED VOLTAGE: 250V(AC/DC).
 - 2.3 OPERATING TEMPERATURE: -40C - 125C.
 - 2.4 DIELECTRIC WITHSTANDING VOLTAGE: LESS THAN 2 MILLIAMPS CURRENT LEAKAGE@1500 VOLTS AC.
 - 2.5 INSULATION RESISTANCE: 5000 MEGOHMS MIN.
 - 2.6 IP--CLASS: IP67 AND IP69K IN THE MATED CONDITION.
 - 2.7 MATING CYCLES DURABILITY: 500 CYCLES MIN.
 - 2.8 RoHS COMPLIANT.
- SUITABLE CONTACTS: 16# CONTACT.
- ALL DIMENSIONS ARE FOR REFERENCE USE ONLY.

Position number	X	Y
A	0.000	8.150
B	-3.330	7.442
C	-6.071	5.440
D	-7.747	2.515
E	-8.103	-0.864
F	-7.061	-4.089
G	-4.801	-6.600
H	-1.702	-7.976
J	1.702	-7.976
K	4.801	-6.600
L	7.061	-4.089
M	8.103	-0.864
N	7.747	2.515
P	6.071	5.440
R	3.330	7.442
S	1.778	4.496
T	-1.778	4.496
U	-4.445	2.388
V	-4.521	-0.914
W	-3.023	-3.835
X	0.000	-5.156
Y	3.023	-3.835
Z	4.521	-0.914
a	4.445	2.388
b	0.000	1.650
c	0.000	-1.650

KEY	PART NUMBER
N	RTS716ND26S03
W	RTS716WD26S03
X	RTS716XD26S03
Y	RTS716YD26S03
Z	RTS716ZD26S03

QUANTITY	PART NUMBER	DESCRIPTION
MATERIALS LIST		
<p>UNLESS OTHERWISE SPECIFIED 1) All dimensions are in metric(mm). 2) Tolerances are as follows: 1 PL DEC ±0.30 Fractions ±1/64 2 PL DEC ±0.15 Angles ±1° 3 PL DEC ±0.08</p>		
<p>SIGNATURES DATE</p> <p>DRAWN: Ronald Jul-29-2019</p> <p>CHECKED: Marin Jul-29-2019</p> <p>ENGINEER:</p> <p>APPROVAL: Tommy Jul-29-2019</p>		<p style="text-align: center;">Amphenol</p> <p>Sine Systems – www.amphenol-sine.com 44724 Morley Drive Clinton Township, MI 48036</p>
<p>MATERIAL SPECIFICATIONS:</p>		<p>ECOMATE® AQUARIUS™, RECEPTACLE, JAM NUT, 26POS SOCKET CONTACT, DIPSOLDER, SIZE 16</p>
<p>PROCESS SPECIFICATIONS:</p>		<p>THIS DRAWING IS SUPPLIED FOR INFORMATION ONLY. DESIGN FEATURES, SPECIFICATIONS AND PERFORMANCE DATA SHOWN HEREON ARE THE PROPERTY OF THE AMPHENOL CORPORATION. NO RIGHTS OF REPRODUCTION ARE IMPLIED. ALL DIMENSIONS ARE SUBJECT TO NORMAL MANUFACTURING VARIATIONS.</p>
<p>NEXT ASS'Y:</p>		<p>SIZE: B TYPE: C DWG NO: RTS716*D26S03 REVISION: A1</p> <p>SCALE: NONE SHEET 1 OF 1</p>