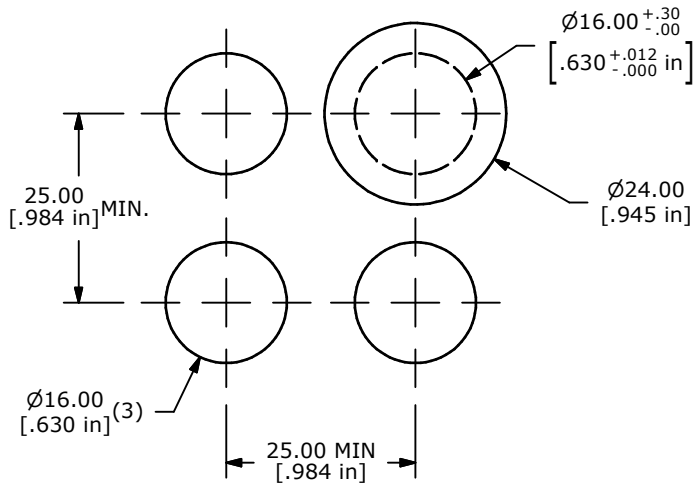
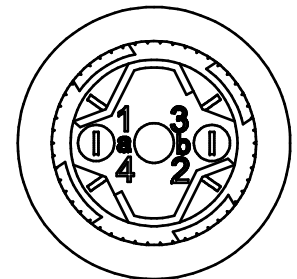
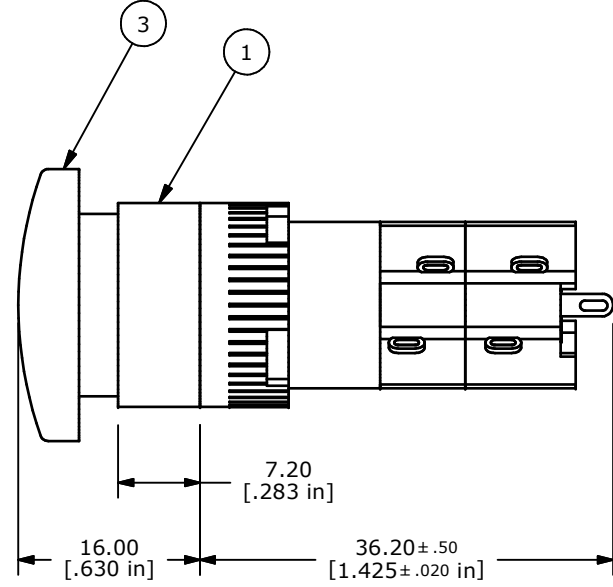
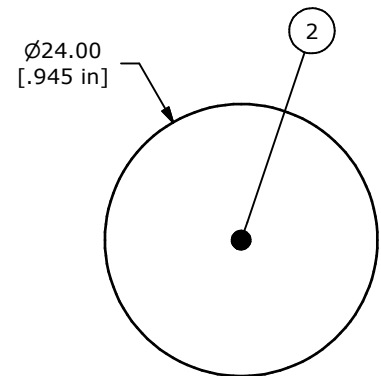
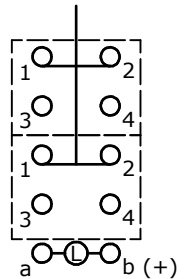
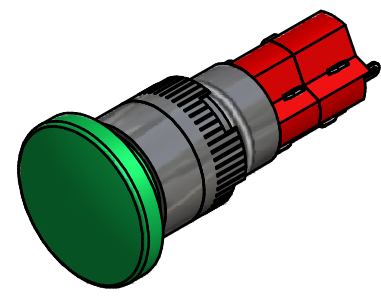


ITEM	QTY	PART NUMBER	DESCRIPTION
1	1	F040027	D160AR12
2	1	F050416	50-004-16 6VDC GREEN LED
3	1	F051201	50-012-01 (MUSHROOM HEAD) GREEN



PANEL MOUNTING



- NOTE:
1. ALL DIMENSIONS IN MM [INCH]
 2. GENERAL TOLERANCE: X.X=±0.4
X.XX=±0.25
 3. TERMINAL NUMBERS FOR REF ONLY
 4. MECHANICAL LIFE: 2,000,000 OPERATIONS
 5. INSULATION RESISTANCE: 1,000 MILLI-OHM MIN.
 - ▲ 6. OPERATING TEMP.: -25°C to 55°C
 7. STORAGE TEMP: -40°C to 85°C
 9. LAMP VOLTAGE: 6V DC GREEN LED
 10. ▲ DENOTES CRITICAL PARAMETER.
 11. 2002/95/EC (ROHS) COMPLIANT



A	17792	RELEASED FOR PRODUCTION	10/22/07	BF
REV	PCR NO	DESCRIPTION	DATE	BY
<small>THE INFORMATION CONTAINED IN THIS DOCUMENT IS PROPRIETARY TO E-SWITCH AND IS NOT TO BE COPIED OR TRANSFERRED</small>				

TITLE D160AR2HGRNGRN				
SCALE	DATE	DR	DWG	REV
2:1	10/22/2007	BF	XF0739P	A