



# PUI audio

Data Sheet

AS01508MS-SC15-WP-R

PUI Audio's **Mobile Series** line of speakers and receivers is designed for cutting-edge applications such as smart watches and pendants, Wi-Fi enabled security devices and action cameras, mobile radios and smart phones, as well as IoT devices. Each **Mobile Series** product features an IP67-rated face for protection against dust and water ingress.

The eight ohm 15mm x 11mm **AS01508MS-SC15-WP-R** speaker is designed for high fidelity audio reproduction in the thinnest size possible—only 2.5mm thick! Spring contacts provide convenient connection.

## Features:

- PEEK diaphragm for flat frequency response
- 92 dB output (2.37Vrms @ 10cm)
- High-energy neodymium motor
- Only 2.5 mm thick
- Dustproof and waterproof IP67-rated face

## Specifications

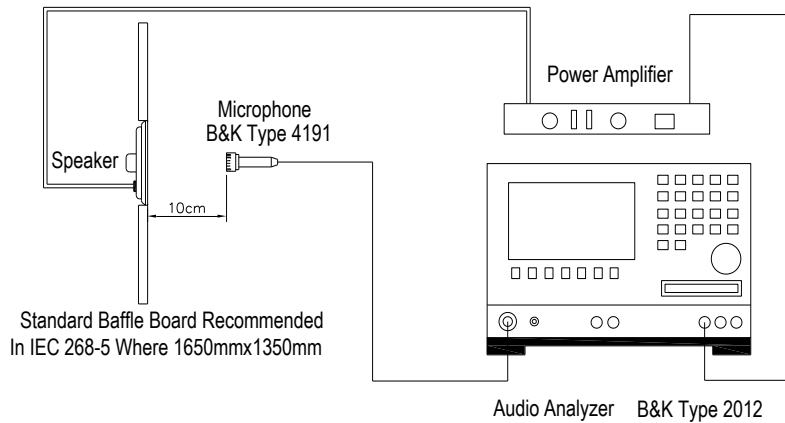
Parameters	Values	Units
Rated Input Power	0.7	Watts
Max Input Power	1	Watts
Impedance	8 ± 15%	Ohms
Output SPL @ 2.37Vrms/10cm (Avg. 0.8, 1.0, 1.5, 2.0kHz 1cc box)	92 ± 3	dB
SPL @ 1Vrms/10cm (free air)	85 ± 3	
Resonant Frequency (free air/in 1cc enclosure)	700 ± 20% / 1000 ± 20%	Hz
Frequency Range	Fo ~ 20,000	Hz
Frame Material	PBT	-
Magnet Material	NdFeB	-
Weight	1.5	Grams
Environmental Protection Rating	IP67	-

## Specifications (continued)

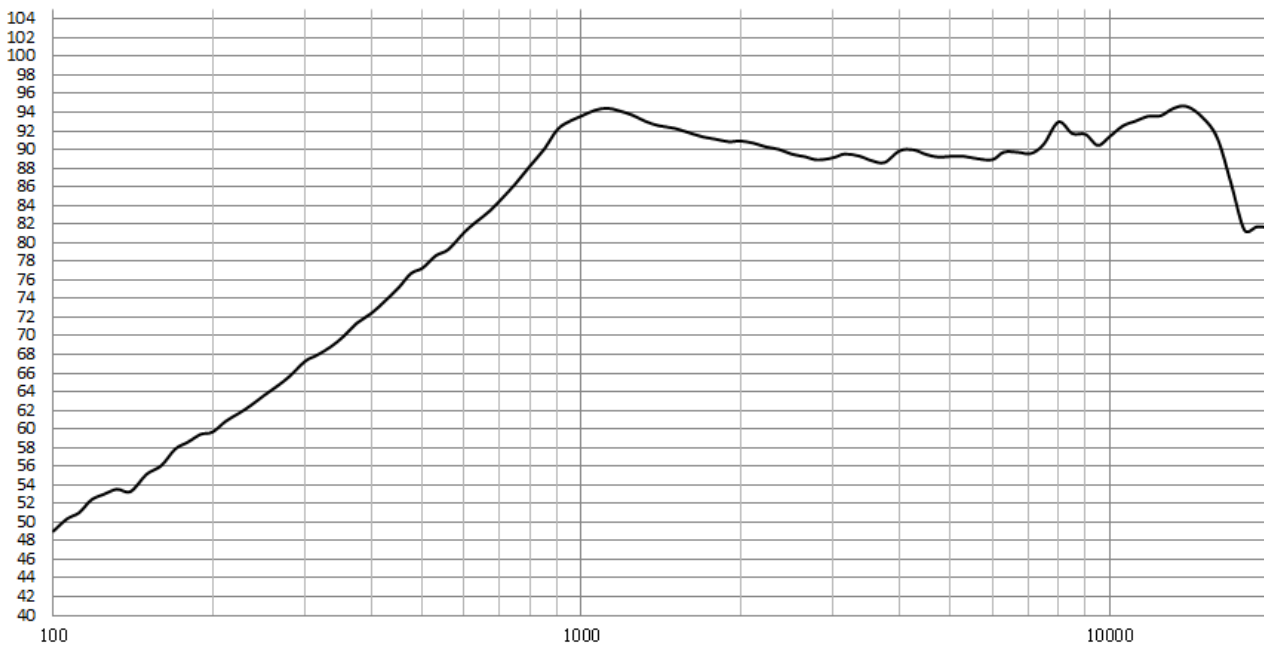
Buzz, Rattle, etc.	Should not be audible with 2.37Vrms sine wave from 200 Hz to 2kHz	-
Polarity	When positive voltage is applied to the positive terminal, the diaphragm will move outward	-
Storage Temperature	-40 ~ +85	°C
Operating Temperature	-20 ~ +70	°C

## Measurement Method (measured with 2V, Temperature: 15 ~ 35°C, Relative Humidity: 25%~70%)

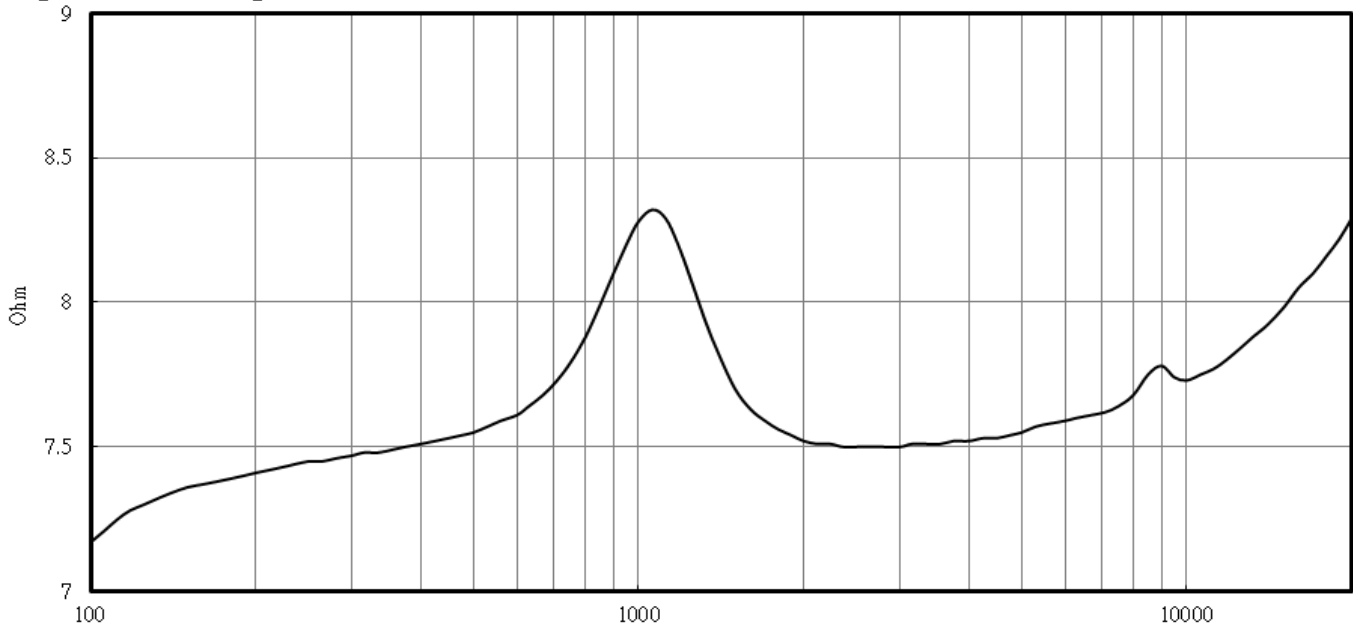
### Standard test condition of speaker



## Frequency Response (measured with 2.37Vrms @ 10cm in 10cc enclosure)



## Impedance Response (Measured with speaker in a 1cc enclosure)

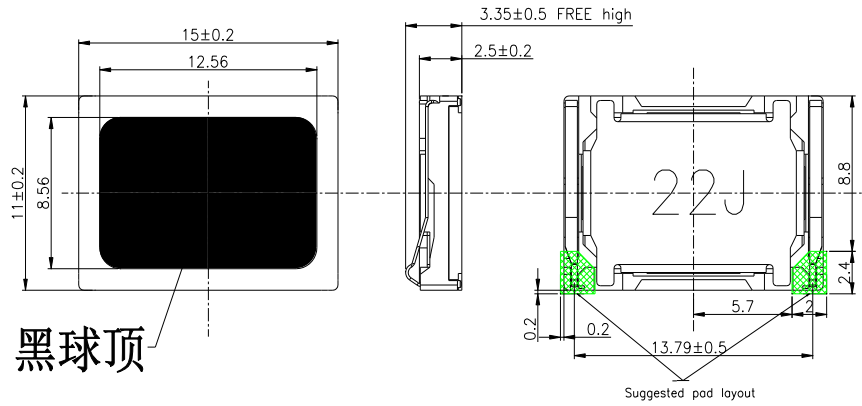


## Reliability Testing

Type of Test	Test Specifications
High Temperature Test	96 hours at +85°C ± 3°C followed by three hours in normal room temperature
Low Temperature Test	96 hours at -40°C ± 3°C followed by three hours in normal room temperature
Humidity Test	96 hours at +40°C ± 3°C with relative humidity at 90%~95% followed by 6 hours in normal room temperature
Temperature Cycle Testing	Temperature: -40°C±3°C ↔ +85°C±3°C Cycle: 12 cycles Duration: 2 hour      2 hour (recovery 2 hours) (30minutes) (5minutes) 1 cycle (5minutes)
Vibration Test	10 to 55 to 10 Hz sine sweep, per minute @ 1.5mm amplitude, 2 hours in each axis X, Y, and Z
Drop Test	Mount speaker to 100g fixture, drop fixture 1.5 meters, twice per side and twice for each corner
Load Test	White noise is applied at the speakers rated power for 96 hours at room temperature with speaker in 1cc enclosure

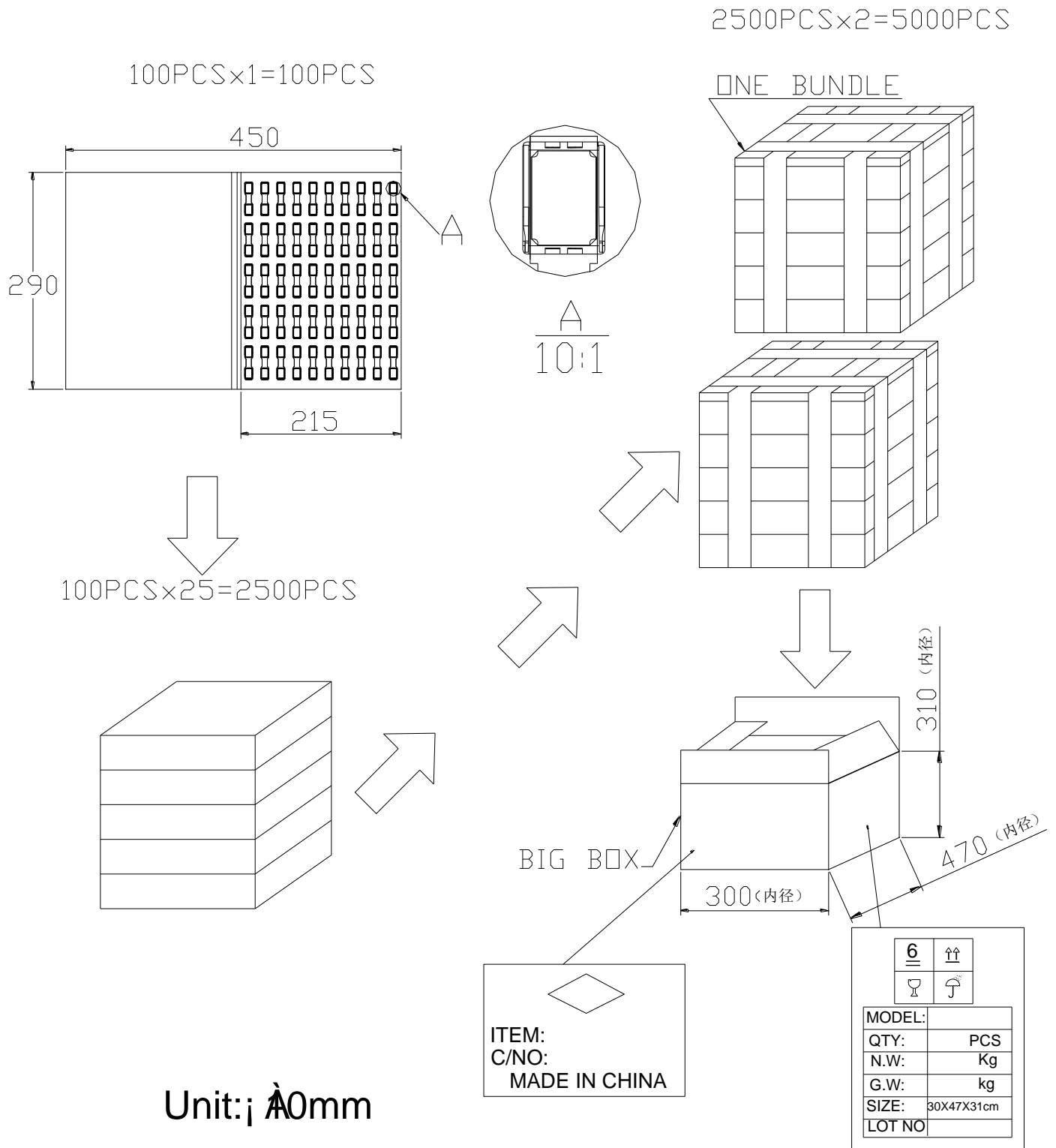
**After each test, the speaker's SPL shall be ±3 dB of the original SPL**

**Dimensions** (Bottom. contact is positive on the far right drawing below)



- 注: 1: 未注公差按照±0.2  
2: 22=2022年, 用年号后2位表示  
J=10月, 用大写字母“A-L”表示

## Packaging



**Specifications Revisions**

<b>Revision</b>	<b>Description</b>	<b>Date</b>
A	Released from Engineering	11/20/2017
B	Updates to performance values	10/13/2022

Note:

- 1. Unless otherwise specified:
  - A. All dimensions are in millimeters.
  - B. Default tolerances are  $\pm 0.5\text{mm}$  and angles are  $\pm 3^\circ$ .
- 2. Specifications subject to change or withdrawal without notice.