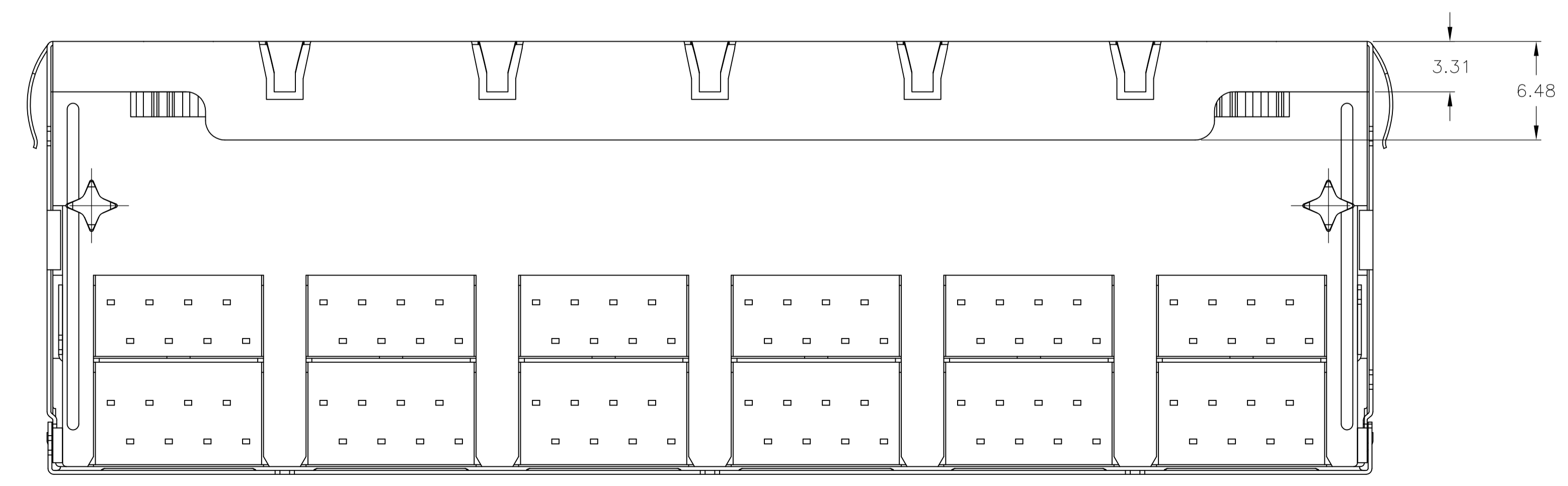
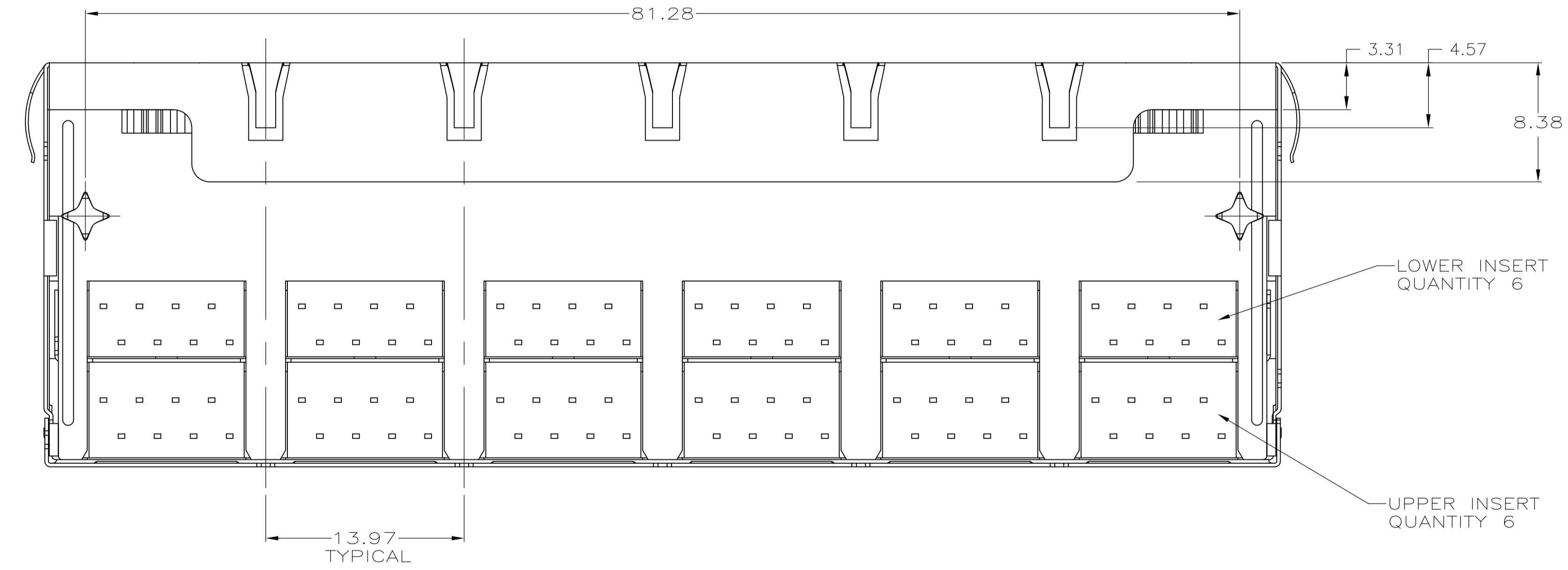
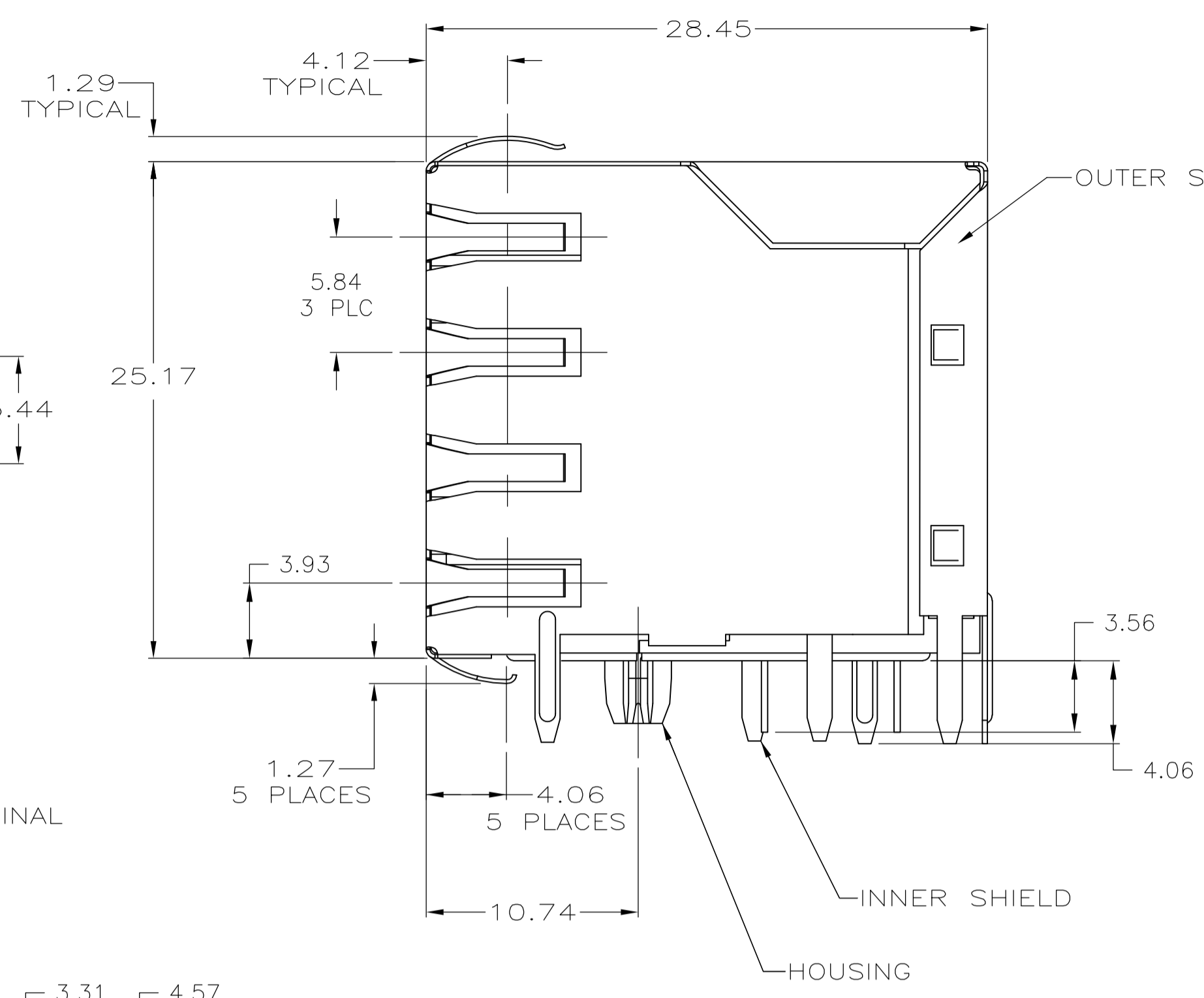


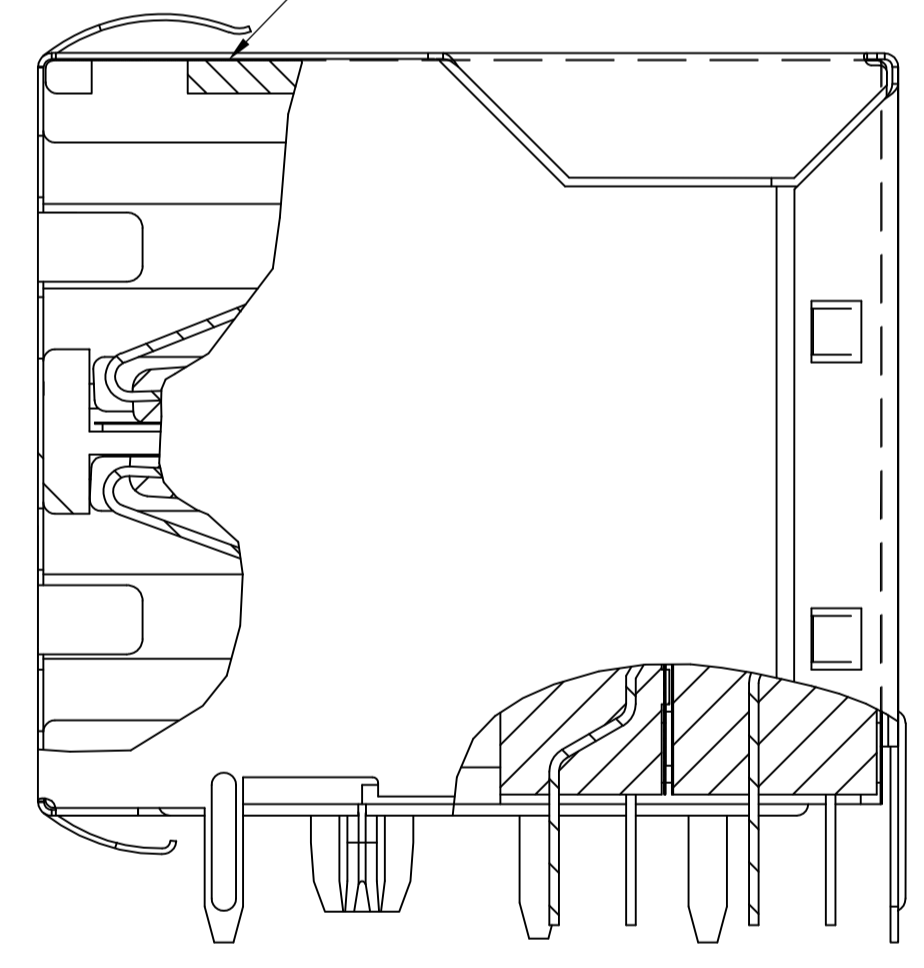
PN 6116000-2 & -3 SHOWN



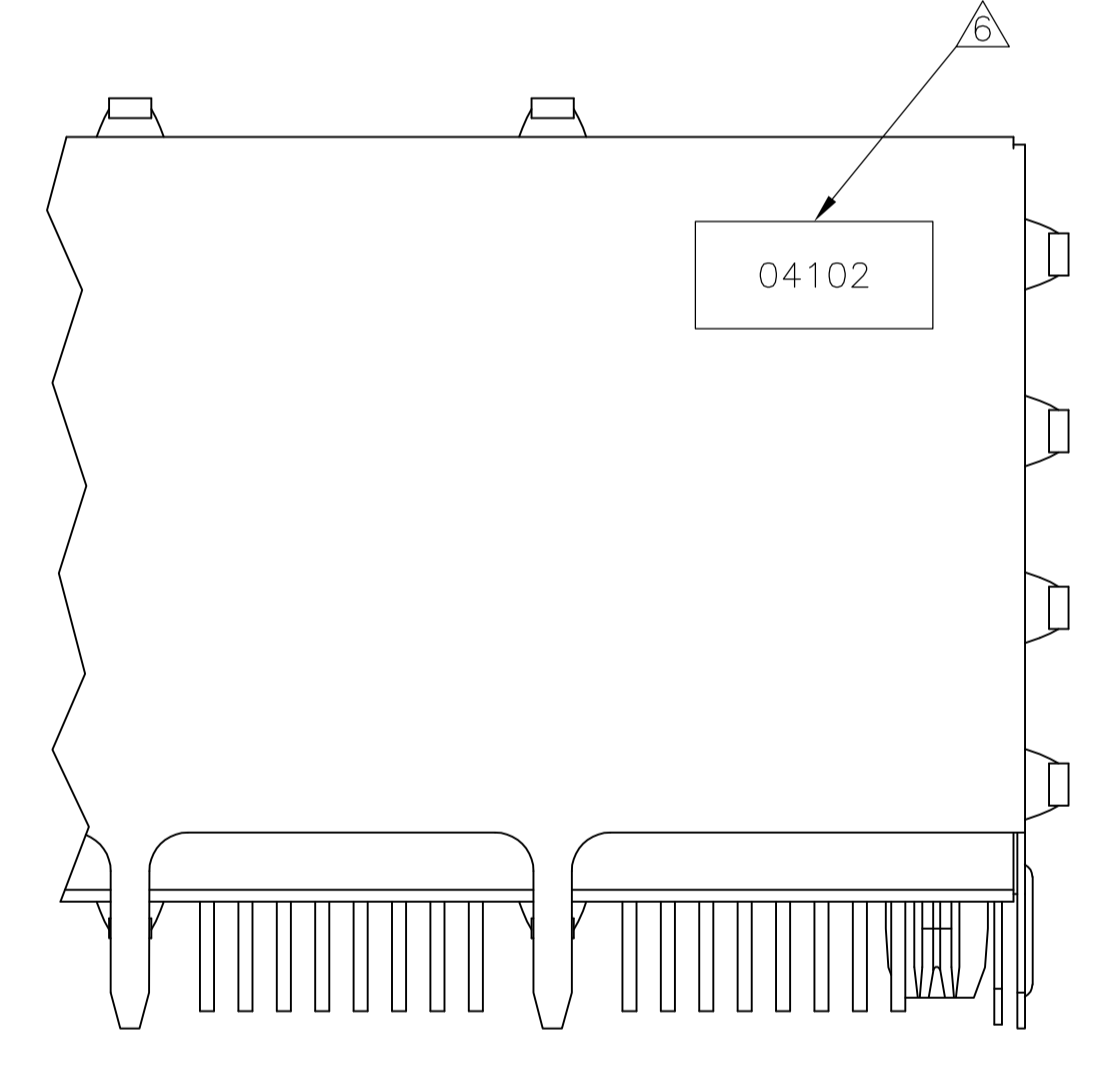
PN 6116000-1 & -4 SHOWN
(WITH SHORT BOTTOM PANEL GROUND TABS AND 3 REAR TABS)



THE DIELECTRIC TAPE 1 BETWEEN HOUSING AND OUTER SHIELD QUANTITY 1



- △ MATERIAL: HOUSING - HIGH TEMPERATURE THERMOPLASTIC, BLACK, UL 94V-0. OVERMOLDED TERMINAL ARRAY - PBT, BROWN. TERMINALS - 0.33 [.013] THICK PHOSPHOR BRONZE PLATED WITH 1.27µm [.000050] MIN THICK HARD GOLD IN LOCALIZED AREA AND 3.81µm [.000150] MIN THICK MATTE TIN IN SOLDER AREA OVER 1.27µm [.000050] MIN THICK NICKEL UNDERPLATE. OUTER SHIELD: 0.196 [.0077] THICK COPPER ALLOY PLATED 1.27µm [.000050] MIN NICKEL, PCB GROUND TABS DIPPED WITH 2.03µm [.000080] MIN TIN.
- △ JACK CAVITY CONFORMS TO FCC RULES AND REGULATIONS, PART 68 SUBPART F.
- △ INNER SHIELD TABS FINAL FORMED AND SIZED BY MATING WITH MODULAR PLUGS TO REDUCE INITIAL MATING INSERTION FORCE. APPLIES TO PN 6116000-1 & -4 ONLY.
- △ USE #30 DRILL BIT OR 3.25mm DRILL BIT WHEN PRODUCING THESE PCB HOLES.
- 5. ALL DIMENSIONS NOMINAL UNLESS OTHERWISE SPECIFIED.
- △ DATE CODE LOCATED ON REAR OF PART APPROX AS SHOWN: FIRST 2 DIGITS ARE LAST 2 DIGITS OF YEAR, SECOND 2 DIGITS ARE MANUFACTURING WORK WEEK, LAST DIGIT IS DAY OF WEEK, WITH SUNDAY=1.
- △ THE DIELECTRIC TAPES ARE ONLY FOR PN 6116000-4.
- △ THE PN 6116000-4 IS PRELIMINARY.
- △ DIELECTRIC WITHSTANDING VOLTAGE: 2250 VDC BETWEEN CONTACT AND SHIELD.
- △ WITH IMPROVED CONTACT, REDUCING CONFLICTS WITH PLUG.



NICKEL	A,C,E	3	△△6116000-4△△
NICKEL	A,B,C,D,E	5	6116000-3
NICKEL	A,B,C,D,E	5	6116000-2
NICKEL	A,C,E	3	△△6116000-1△△
△ SHIELD PLATING	HOLES USED	NO. OF REAR TABS	PART NUMBER

THIS DRAWING IS A CONTROLLED DOCUMENT.

DIMENSIONS: mm	TOLERANCES UNLESS OTHERWISE SPECIFIED:	0 PLC ± 0.13	1 PLC ± 0.13	2 PLC ± 0.13	3 PLC ± 0.13	4 PLC ± 0.13	ANGLES ±
MATERIAL	FINISH	WEIGHT	SCALE	SIZE	CAGE CODE	DRAWING NO.	RESTRICTED TO
			4:1	A1	00779	6116000	

CUSTOMER DRAWING

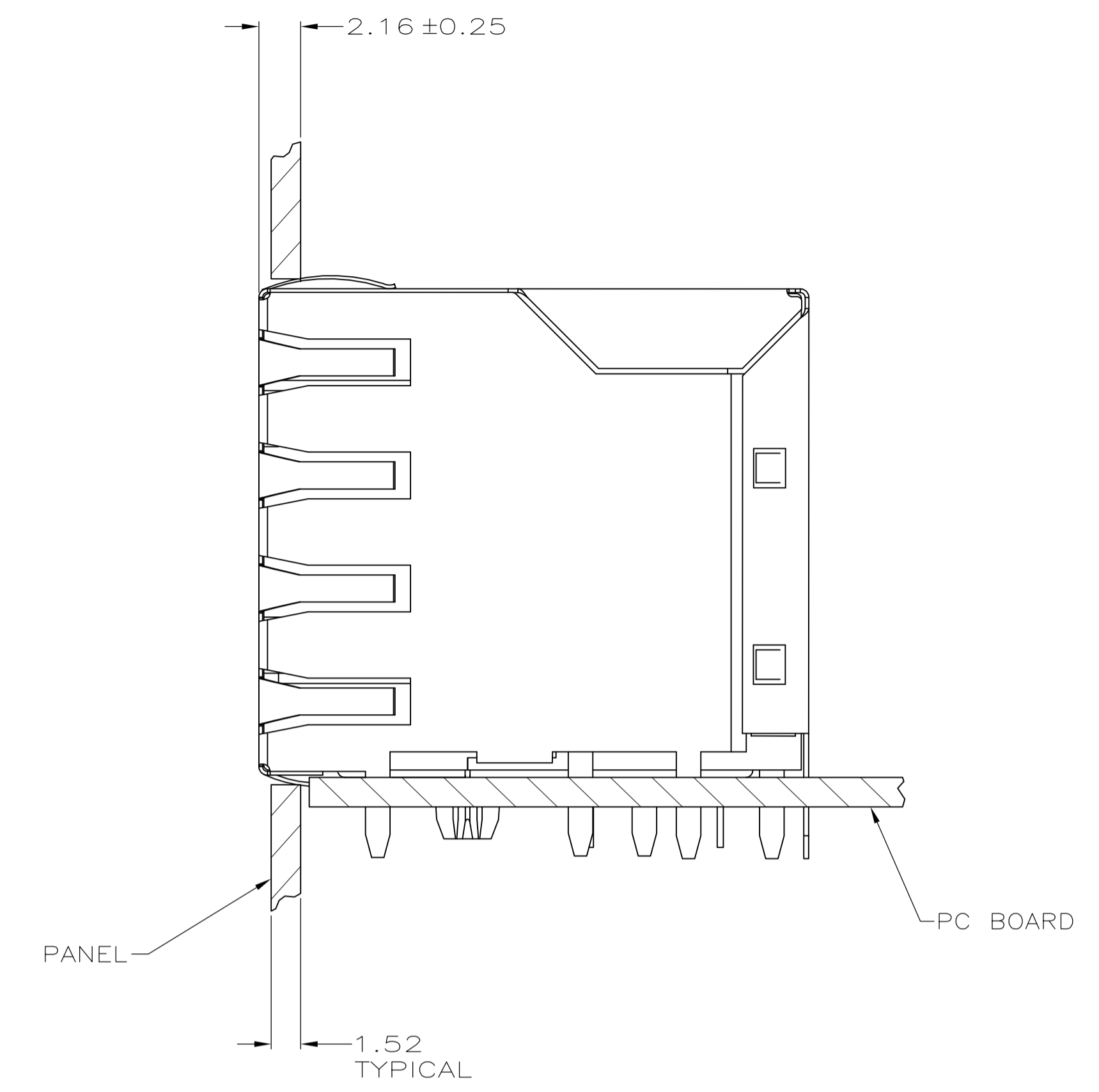
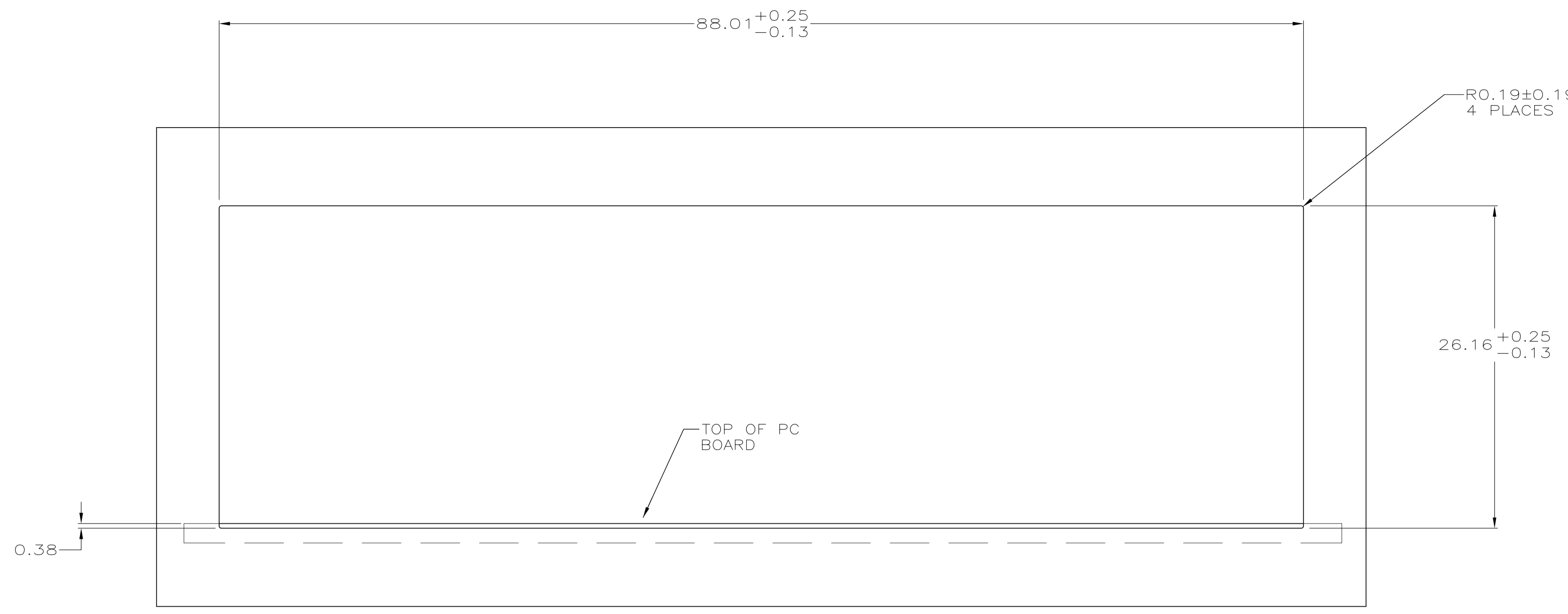
STE TE Connectivity

STACKED MODULAR JACK ASSEMBLY, 2x6 PORT, RJ45, SHIELDED, WAVE PANEL GROUNDS, CAT 5/GIGABIT ETHERNET

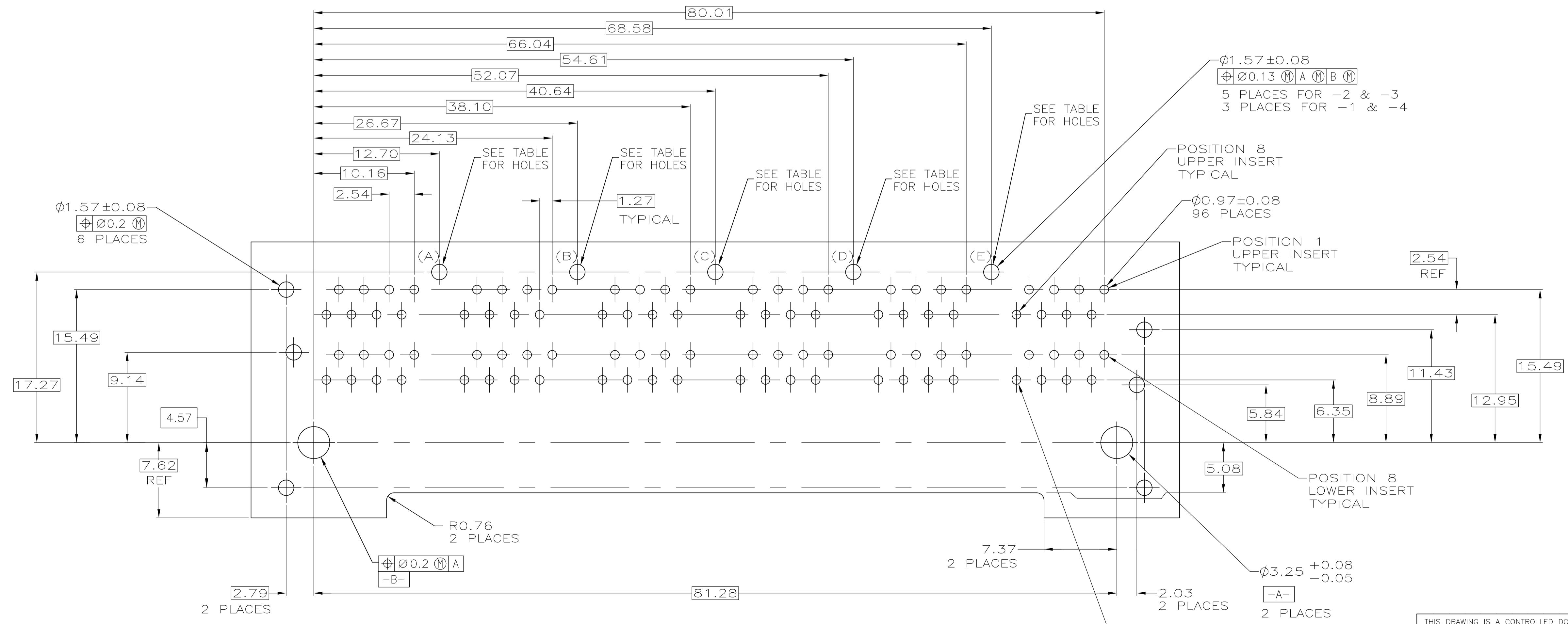
108-1163-2

114-2048

1 OF 2



SUGGESTED PANEL CUTOUT DIMENSIONS



PC BOARD LAYOUT VIEWED FROM COMPONENT SIDE

THIS DRAWING IS A CONTROLLED DOCUMENT.		DIN	L. VARELA - DOCKS	08/JUN/2005	TE Connectivity
DIMENSIONS: mm		CHK	J. WESTMAN	08/JUN/2005	
TOLERANCES UNLESS OTHERWISE SPECIFIED:		APVD	S. FLICKINGER	08/JUN/2005	NAME
0. PLC	± 0.13	PRODUCT SPEC		STACKED MODULAR JACK ASSEMBLY, 2x6 PORT, RJ45, SHIELDED, WAVE PANEL	
1. PLC	± 0.13	APPLICATION SPEC		108-1163-2	
2. PLC	± 0.13	SIZE		114-2048	
3. PLC	± 0.13	SCALE		4:1	
4. PLC	± 0.13	SHEET		2 OF 2	
ANGLES	± 0.13	REV		D	
MATERIAL	1	WEIGHT		A1 00779 C=6116000	
FINISH	1	CUSTOMER DRAWING		SCALE 4:1 SHEET 2 OF 2 REV D	