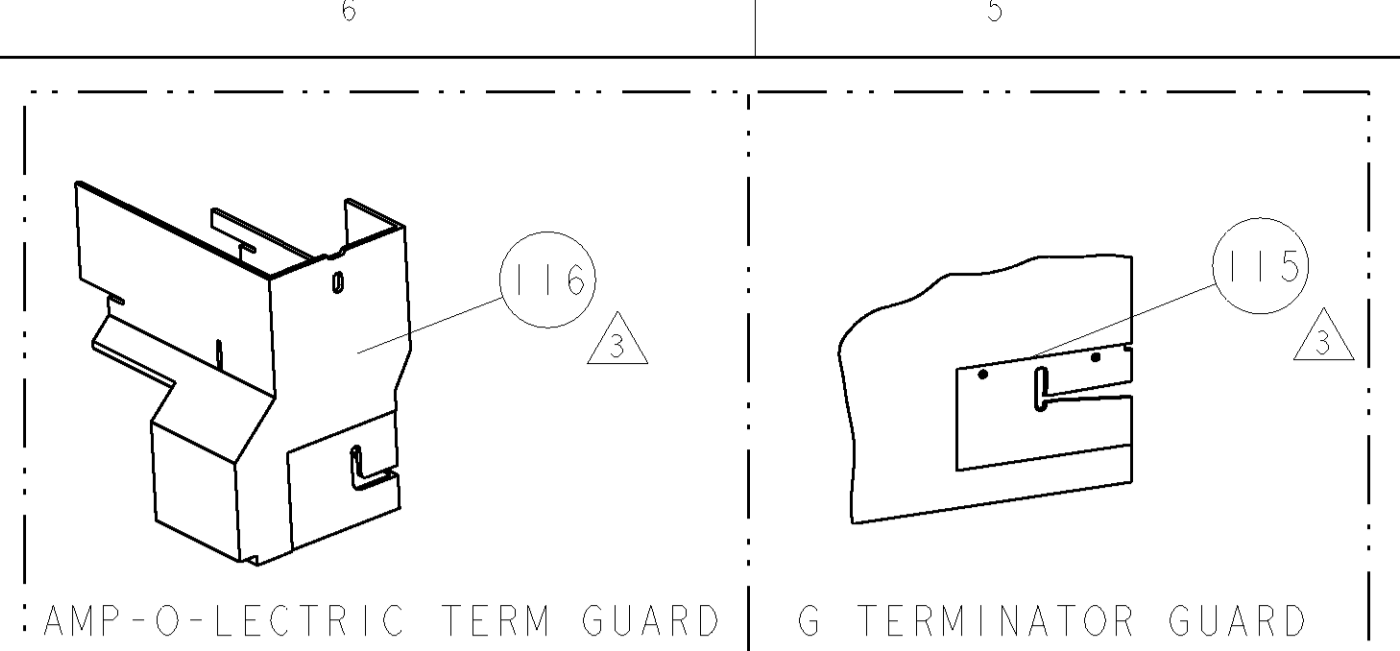


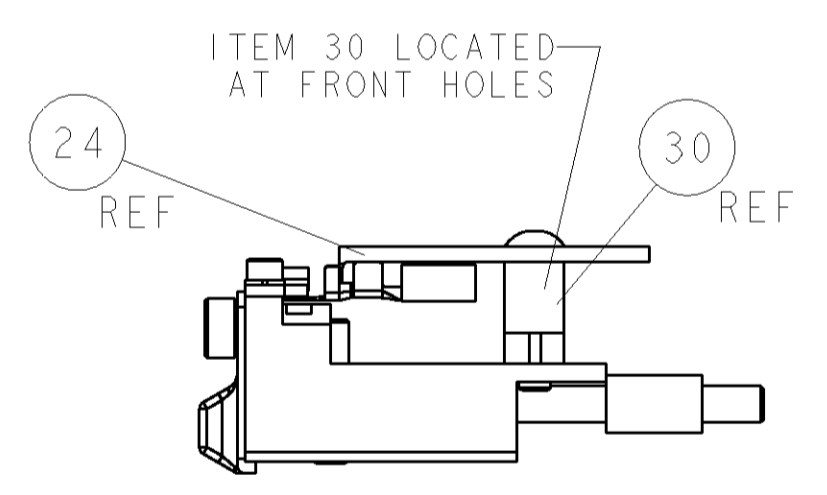
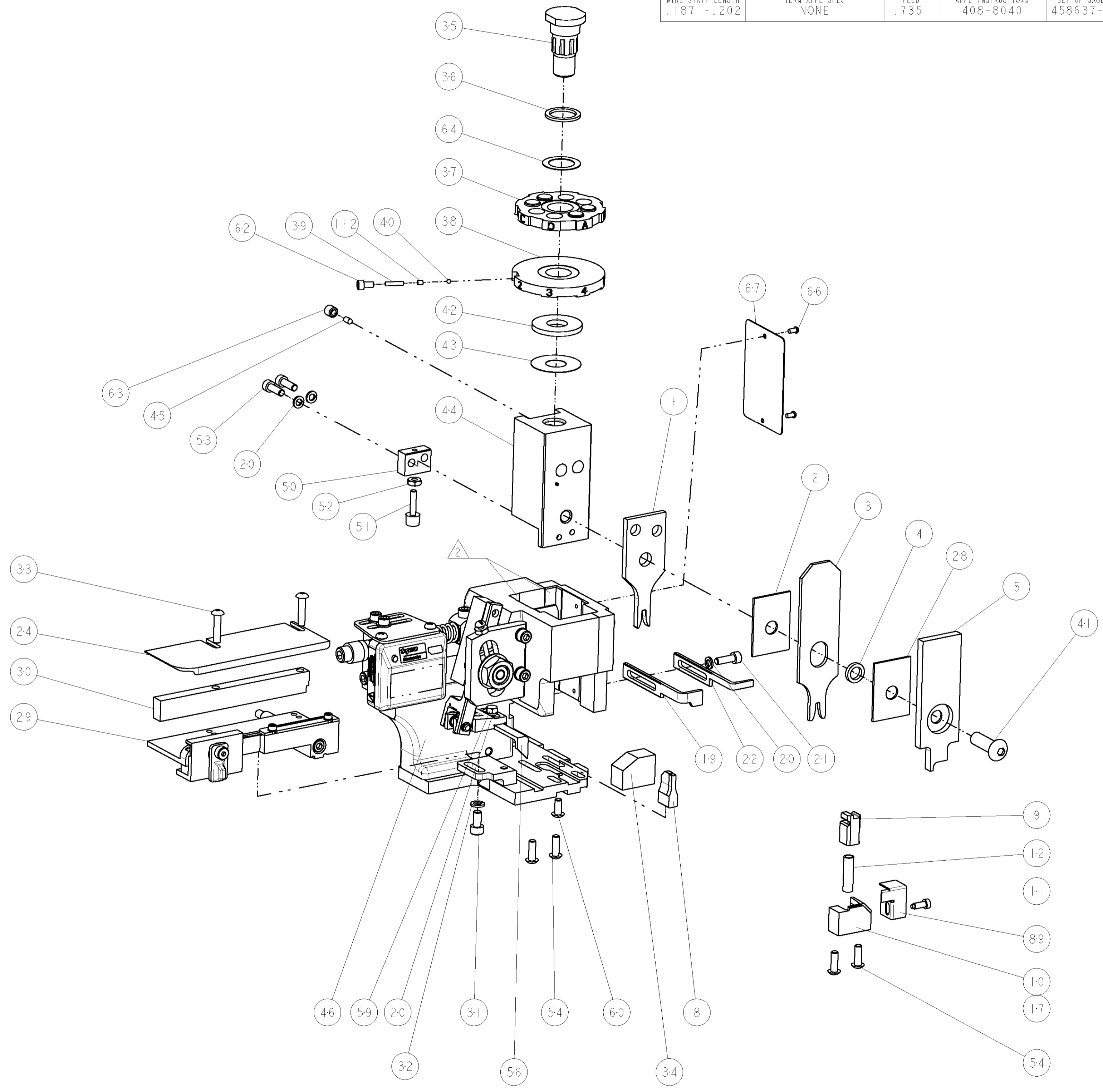
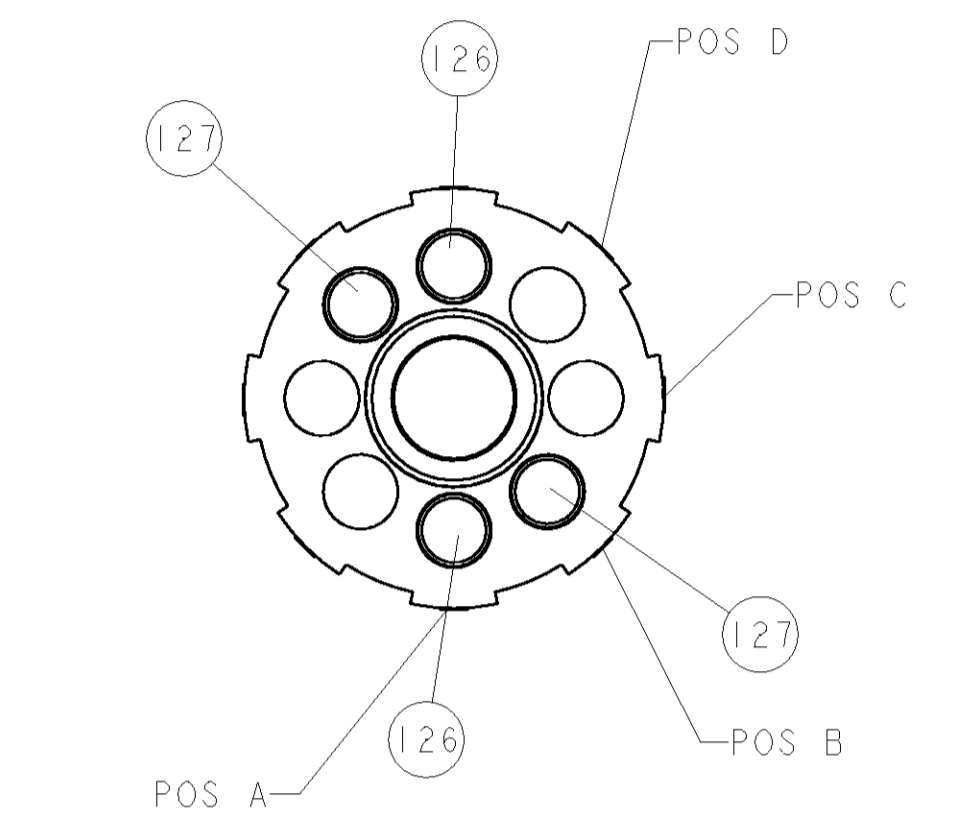
PART NUMBER	REV	FIRST USED	POWER UNIT	FEED TYPE	DESCRIPTION
1852233-1	A	122500-1	LEADMAKER	POST FEED	CUTS CARRIER
1852233-2	A	565435-5	BENCH MODEL K	PRE FEED	CUTS CARRIER
1852233-3	A	354500-1	BENCH MODEL G	PRE FEED	CUTS CARRIER
1852233-6	A	122500-1	LEADMAKER	POST FEED	CONTINUOUS CARRIER
7-1852233-7	A	-	-	-	SPARE PARTS



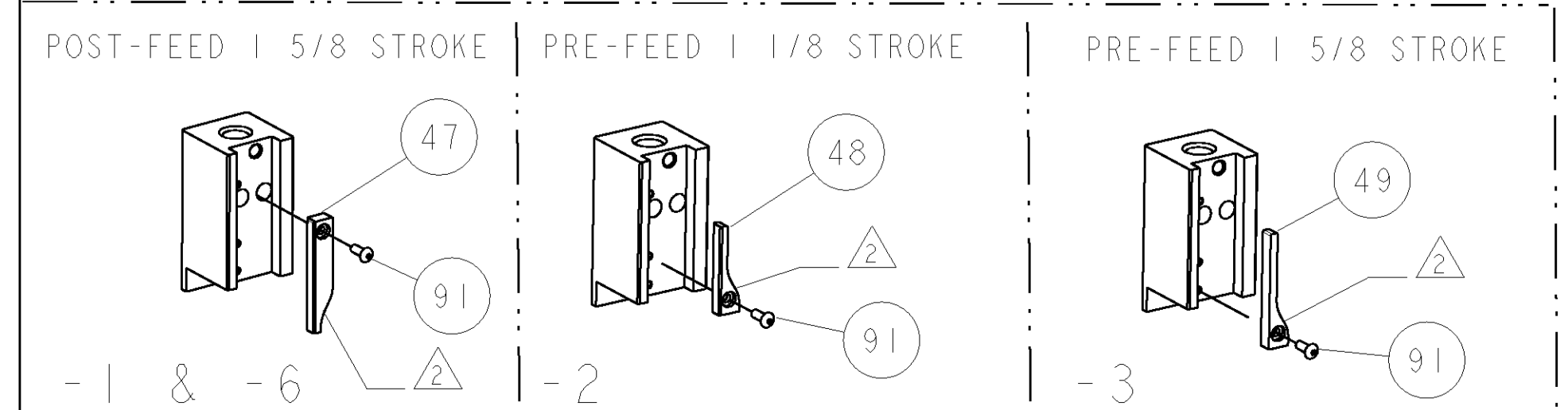
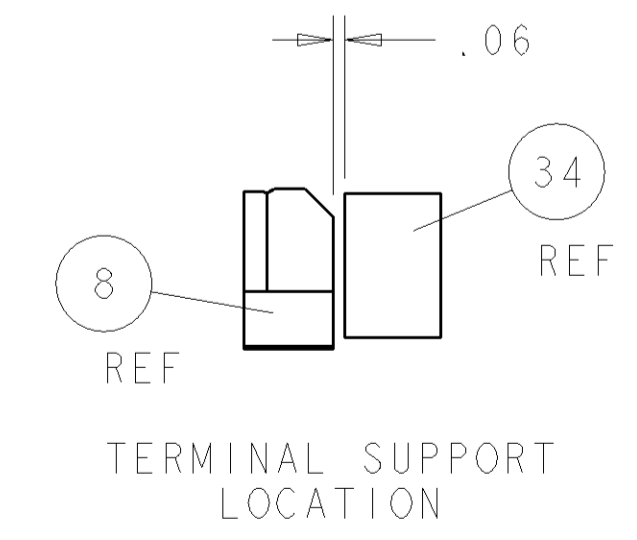
TERMINAL NAME: RECEPTACLE TERMINAL				
TYCO PN	MANUF PN	LEAR TERMINAL - AMP CRIMP SPECS		
1949009-1	771416-HK200			
1949009-2	771416-FK200			
		REF SET	CRIMP HEIGHT	WIRE SIZE
-	-	A	.083±.002[2.10±0.05mm]	14 AWG
-	-	B	.074±.002[1.87±0.05mm]	16 AWG
-	-	C	-	-
-	-	D	-	-
		CRIMP	SIZE	TYPE
-	-	-	-	-
-	-	WIRE	.110 [2.79mm]	F 16-14 AWG
-	-	INSUL	.120 [3.05mm]	F Ø.120 MAX
WIRE STRIP LENGTH	TERM APPL SPEC	FEED	APPL INSTRUCTIONS	SET UP GAGE
.187 - .202	NONE	.735	408-8040	458637-1

LOC	DIST	REV	DESCRIPTION	DATE	DWN	APVD
A	66					
		A	RELEASED	24APR2006	MEH	GB
		A1	ECR-07-012908	31MAY2007	MY	TE

- △ RECOMMENDED SPARE PARTS
- △ GREASE LIGHTLY
- △ GUARD MUST BE IN PLACE WHEN OPERATING APPLICATOR IN A BENCH MACHINE



FEED TRACK POSITION



QTY	REV	LOC	DIST	REV	DESCRIPTION	DATE	DWN	APVD	ITEM NO
-	2	2	2	2	1949009-1	-			127
-	2	2	2	2	7-354778-6	PIN, WIRE DISC, .2875			126
-	2	2	2	2	5-354778-8	PIN, WIRE DISC, .2785			116
-	-	-	-	-	455749-1	GUARD WINDOW			115
-	-	-	-	-	679532-1	INSERT, GUARD			112
-	1	1	1	1	690603-1	SPRING ASSIST AMP-O-MATOR APPLICATOR			91
-	1	1	1	1	1-21002-7	SCR, BTN SKT HD CAP 6-32 X .375			89
-	1	1	1	1	318563-1	GUARD, FRONT CHIP			72
-	1	1	1	1	4088040	SF APPL INST 408-8040			71
-	1	1	1	1	217238-1	GENERAL INSTRUCTION PKG			67
-	1	1	1	1	461264-1	PLATE, IDENTIFICATION			66
-	2	2	2	2	21017-2	SCREW, DRIVE			64
-	1	1	1	1	986950-1	WASHER, FLAT PRECISION			63
-	1	1	1	1	21009-2	SCR, SET, SELF LOCKING 1/4-20 X .250			62
-	1	1	1	1	23030-1	SCR, SKT HD CAP 6-32 X .25			60
-	1	1	1	1	22733-8	SCR, BHSC, SELF-LOCKING, 8-32 X .375			59
-	1	1	1	1	2-22603-0	SCR, HEX HD CAP 8-32 X .312			56
-	1	1	1	1	458537-2	PAWL, FEED			54
-	4	4	4	4	2-21002-2	SCR, BTN SKT HD CAP 8-32 X .500			53
-	2	2	2	2	2-21000-7	SCR, SKT HD CAP 8-32 X .500			52
-	1	1	1	1	21018-5	NUT, HEX, REG 6-32			51
-	1	1	1	1	811242-2	BUMPER, HOLD DOWN			50
-	1	1	1	1	690753-1	SPACER, TONKER			49
-	-	-	-	-	690602-6	CAM, PRE FEED, 1 5/8			48
-	1	-	-	-	690501-4	CAM, POST FEED, 1 5/8			47
-	1	1	1	1	459456-1	APPL. BASIC SUB ASSY (SIDE WISE MOCA)			46
-	1	1	1	1	690191-1	PLUG, NYLON			45
-	1	1	1	1	455673-1	RAM, SIDE FEED			44
-	1	1	1	1	690125-1	SHIM SUB-ASSY			43
-	1	1	1	1	690124-1	WASHER, RAM (.115)			42
-	1	1	1	1	7-21002-9	SCR, BTN SKT HD CAP 5/16-24 X 1.00			41
-	1	1	1	1	23241-6	BALL, STEEL			39
-	1	1	1	1	690170-1	SPRING, COMPRESSION			38
-	1	1	1	1	690142-1	DISC, INSULATION			37
-	1	1	1	1	354777-1	WIRE DISC, ASSEMBLY			36
-	1	1	1	1	22480-5	SPRING, COMPRESSION			35
-	1	1	1	1	690212-1	POST, RAM			34
-	1	1	1	1	690786-6	TERMINAL SUPPORT			33
-	2	2	2	2	2-21002-4	SCR, BTN SKT HD CAP 8-32 X .750			32
-	1	1	1	1	21024-5	WASHER, SPRG LOCK, REG NO 10			31
-	1	1	1	1	3-21000-4	SCR, SKT HD CAP 10-32 X .375			30
-	1	1	1	1	1320908-2	SPACER, STRIP GUIDE			29
-	1	1	1	1	1633091-2	ASSEMBLY, STRIP GUIDE			28
-	1	1	1	1	1-455888-0	SPACER, CRIMPER			24
-	1	1	1	1	1320928-3	PLATE, STRIP GUIDE			22
-	1	-	-	-	690472-2	STRIPPER			21
-	1	1	1	1	2-21000-7	SCR, SKT HD CAP 8-32 X .500			19
-	4	4	4	4	21024-4	WASHER, SPRG LOCK, REG NO 8			17
-	-	1	1	-	691353-1	STRIPPER			12
-	1	-	-	-	679625-1	SHEAR HOLDER, FRONT (NO CUT)			11
-	1	1	1	1	3-22280-3	SPRING, COMPRESSION			10
-	1	1	1	1	690461-1	STOP, SHEAR			9
-	-	1	1	1	690459-1	SHEAR HOLDER, FRONT			8
-	1	1	1	1	1-454276-9	FLOATING SHEAR, FRONT			5
-	1	1	1	1	1633112-3	ANVIL, COMBINATION .110			4
-	1	1	1	1	1-455889-4	DEPRESSOR, SHEAR			3
-	1	1	1	1	1-238011-7	BLOCK, CRIMPER SPACER			2
-	1	1	1	1	1-456134-0	CRIMPER, INSULATION F PREMIUM			1
-	1	1	1	1	1-455888-1	SPACER, CRIMPER			
-	1	1	1	1	456408-6	CRIMPER, WIRE PREMIUM			

DIMENSIONS:		TOLERANCES UNLESS OTHERWISE SPECIFIED:		MATERIAL:		FINISH:	
INCHES		0 PLC	±				
		1 PLC	±0.1				
		2 PLC	±0.01				
		3 PLC	±0.001				
		4 PLC	±0.0001				
		ANGLES	±0.0001				

DRAWN	M. HERR	07APR2006	APPROVED	T. ERLIN	07APR2006
CHKD	M. HERR	07APR2006	NAME	SIDE FEED HDM APPLICATOR	
DIMENSIONS:			TOLERANCES UNLESS OTHERWISE SPECIFIED:		
INCHES			MATERIAL:		
FINISH:			WEIGHT:		
CUSTOMER DRAWING			SCALE: 3:5		

TYCO ELECTRONICS CORPORATION, HARRISBURG, PA 17105-3608
 Tyco Electronics
 Harrisburg, PA 17105-3608

00779 ©=1852233