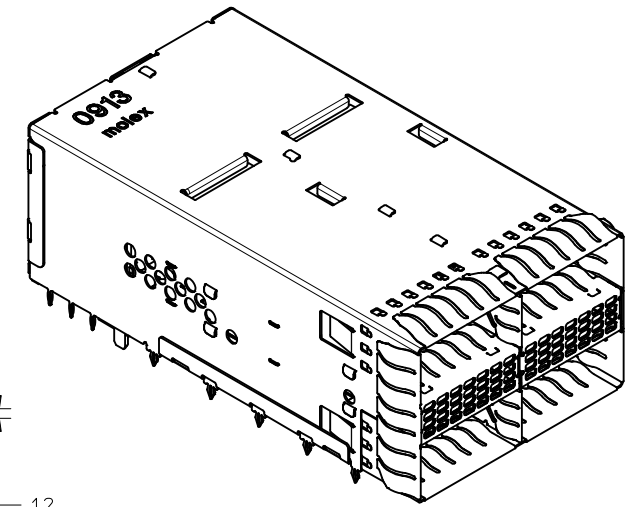
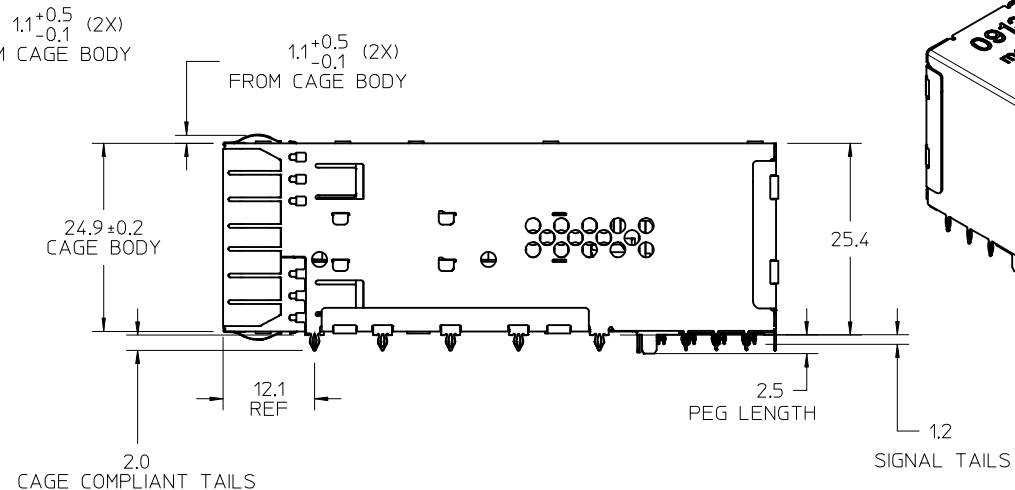
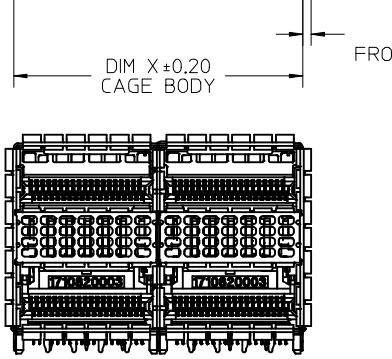


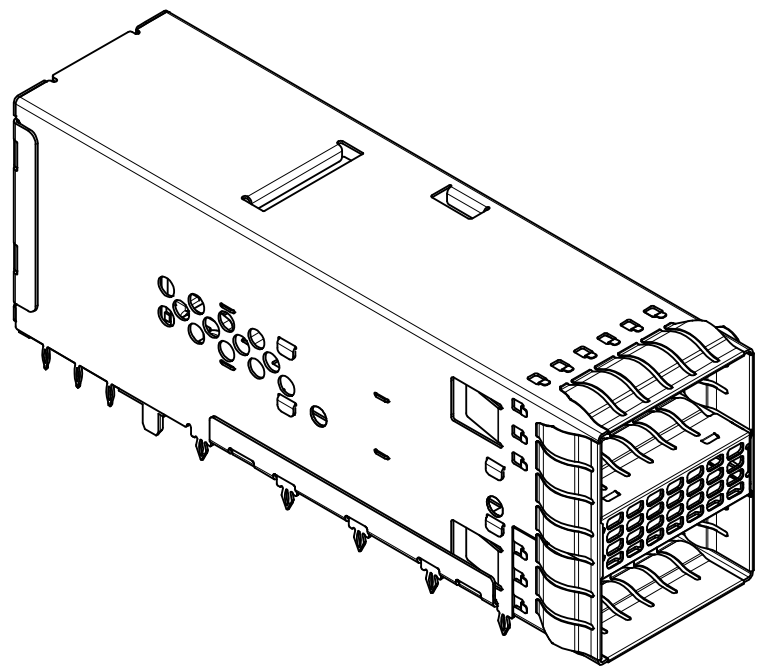
PORT SIZE	PART NUMBER	DIM X	DIM Y
2X1	171722-1061	19.25	19.85
2X2	171722-2061	38.25	38.85
2X3	171722-3061	57.25	57.85

- NOTES:
- MATERIAL:
 CAGE: STAINLESS STEEL
 SPRING FINGERS: COPPER ALLOY
 CONNECTOR HOUSING: GLASS FILLED LIQUID CRYSTAL POLYMER (LCP),
 COLOR: BLACK, 94V-0
 TERMINALS: HIGH PERFORMANCE COPPER ALLOY
 INTERNAL 8 FIN HEATSINKS: ANNOXIDIZED ALUMINUM
 INTERNAL HEATSINK CLIPS: STAINLESS STEEL
 - FINISH:
 SPRING FINGERS: 0.5 MICROMETER MINIMUM NICKEL
 TERMINALS:
 CONTACT AREA: 0.76 MICROMETER MINIMUM GOLD OVER
 A NICKEL UNDERPLATE.
 COMPLIANT AREA: 0.76-1.52 MICROMETER MATTE TIN
 OVER A NICKEL UNDERPLATE.
 - PRODUCT SPECIFICATION: PS-171565-0001
 - PACKAGING SPECIFICATION: PK-171565-0001
 - APPLICATION SPECIFICATIONS: AS-171565-0001 AND AS-171565-0002
 - ALL SURFACES TO BE CLASS 'C' OR BETTER PER MOLEX COSMETIC SPECIFICATION ES-171233-0001.
 - CONNECTOR INTENDED TO MATE WITH PLUG CABLE SERIES 74757 AND 74758.
 - DATE CODE LOCATION SHOWN, DATE CODE FORMAT: DDDY
 DDD = DAY OF THE YEAR, Y = YEAR.

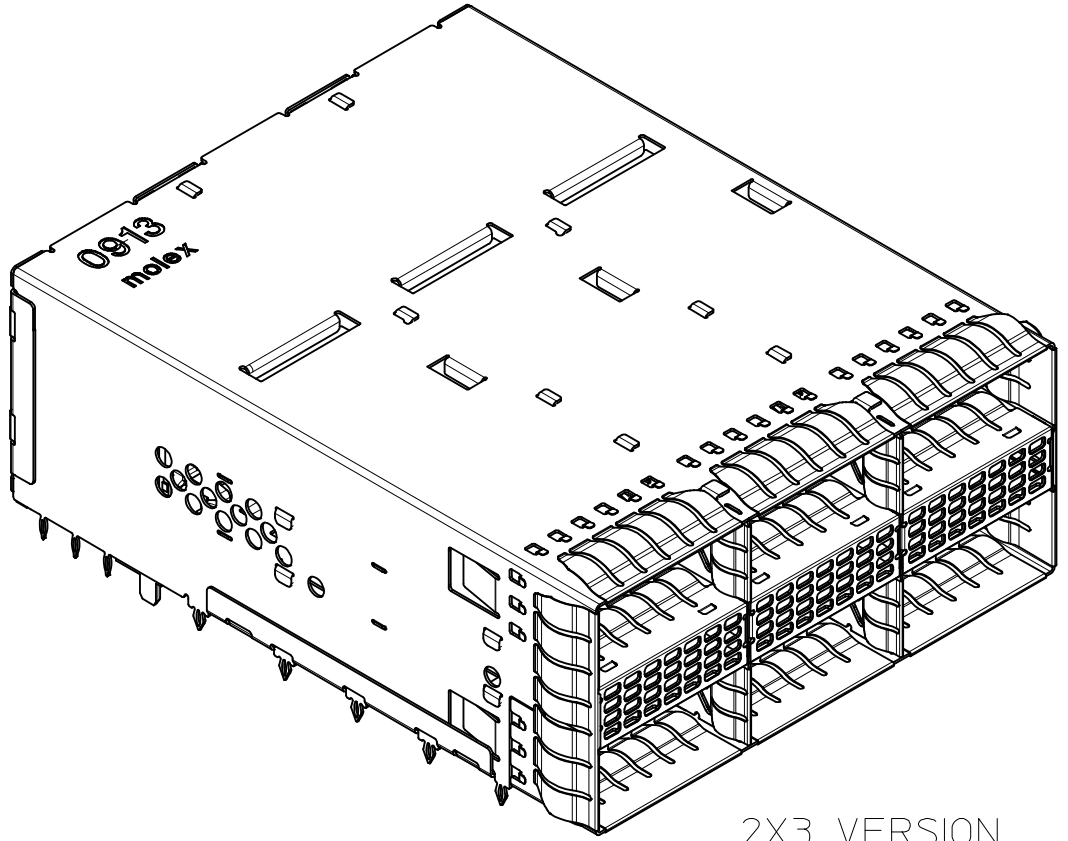
2x2 VERSION SHOWN



REV HEIGHT DIM EC NO: UCP2017-0773 DRWN: MWOLFE 2016/10/05 CHKD: MWOLFE APPR: SMILLER 2016/10/11 REV: A	QUALITY SYMBOLS 	GENERAL TOLERANCES (UNLESS SPECIFIED)		DIMENSION STYLE MM ONLY		SCALE 2:1	DESIGN UNITS METRIC	THIRD ANGLE PROJECTION		
		mm		INCH		DRAWN BY MWOLFE	DATE 2016/02/05	TITLE ZQSFP+ STACKED CONNECTOR WITH EMI SPRING FINGER THRU-FLOW, IRHS		
		4 PLACES ±---		±---		CHECKED BY BBARKER	DATE 2016/02/05			
		3 PLACES ±---		±---		APPROVED BY SMILLER	DATE 2016/10/11			
2 PLACES ±0.13		±---		MATERIAL NO. SEE TABLE		DOCUMENT NO. SD-171722-0061		SHEET NO. 1 OF 4		
1 PLACE ±0.25		±---		DRAFT WHERE APPLICABLE MUST REMAIN WITHIN DIMENSIONS						
0 PLACE ±---		±---		THIS DRAWING CONTAINS INFORMATION THAT IS PROPRIETARY TO MOLEX INCORPORATED AND SHOULD NOT BE USED WITHOUT WRITTEN PERMISSION						

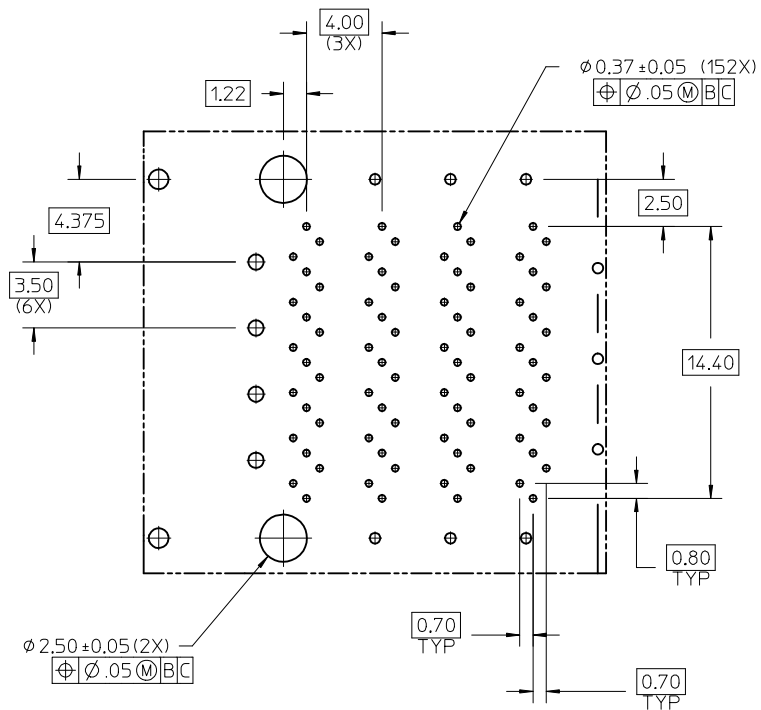
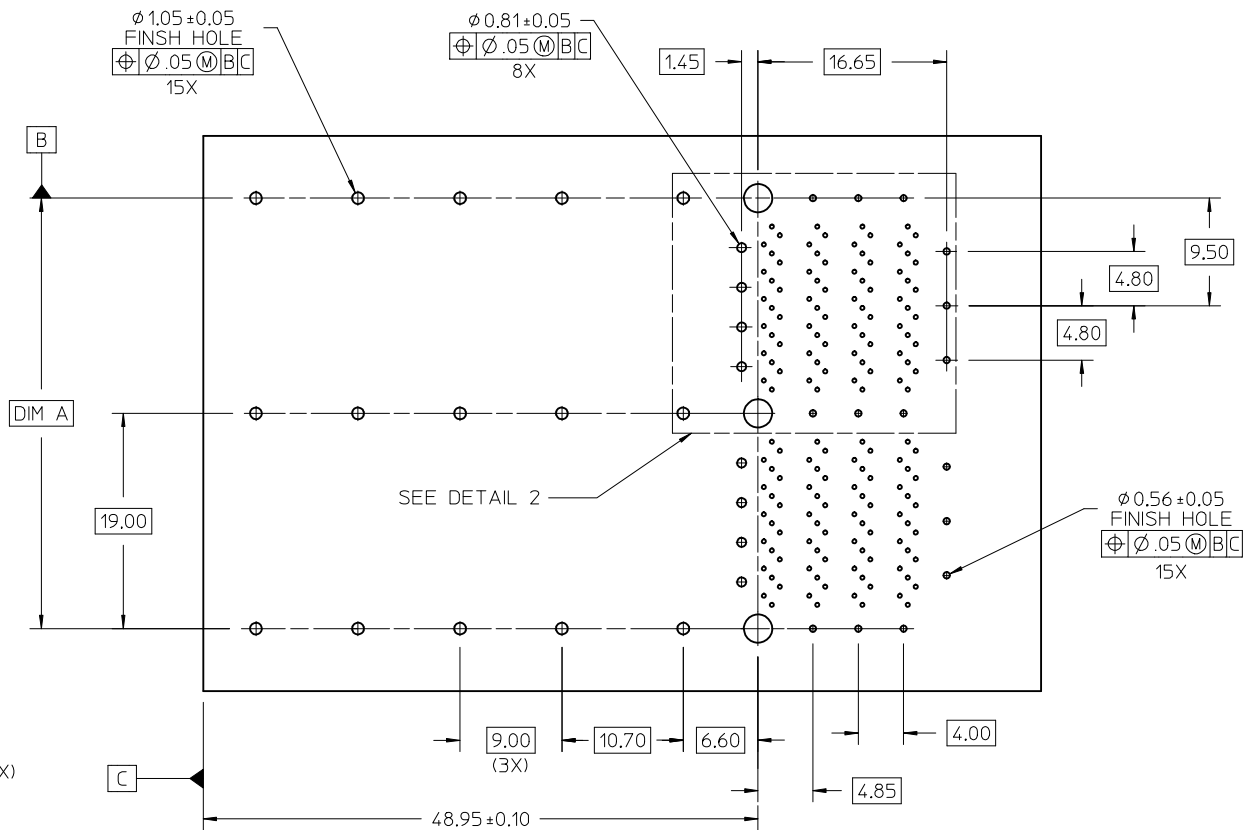


2X1 VERSION



2X3 VERSION

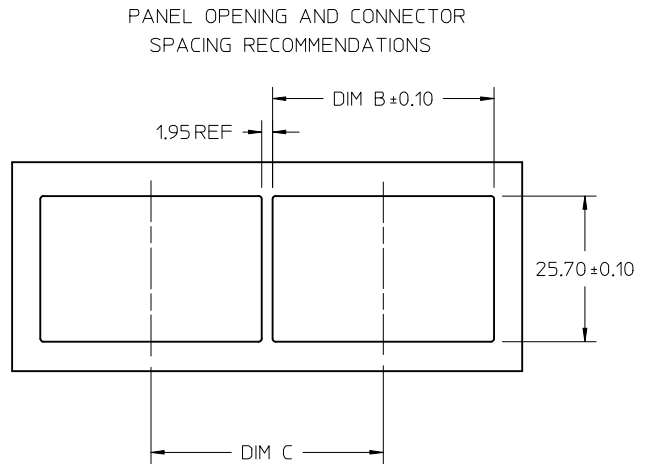
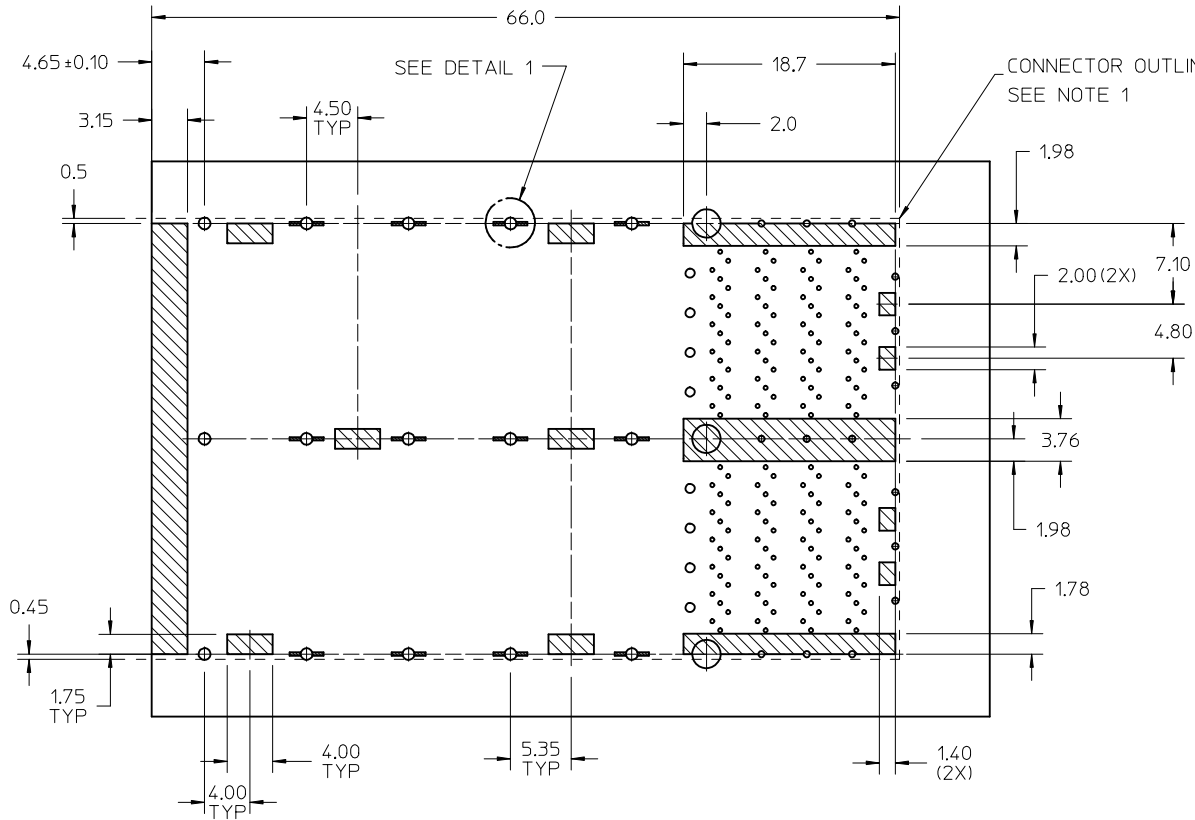
SEE SHEET 1 EC NO: UCP2017-0773 DRAWN: MWOLFE 2016/10/05 CHKD: APPR: SMILLER 2016/10/11 REV: A	QUALITY SYMBOLS	GENERAL TOLERANCES (UNLESS SPECIFIED)	DIMENSION STYLE	SCALE	DESIGN UNITS	THIRD ANGLE PROJECTION
	▽=0	mm INCH	MM ONLY	3:1	METRIC	
	▽=0	4 PLACES ± --- ± ---	DRAWN BY DATE	TITLE		
	▽=0	3 PLACES ± --- ± ---	MWOLFE 2016/02/05	ZQSFP+ STACKED CONNECTOR WITH EMI SPRING FINGER THRU-FLOW, IRHS		
	▽=0	2 PLACES ± 0.13 ± ---	CHECKED BY DATE	molex DOCUMENT NO. SD-171722-0061 SHEET NO. 2 OF 4		
	1 PLACE ± 0.25 ± ---	BBARKER 2016/02/05				
	0 PLACE ± --- ± ---	APPROVED BY DATE	MATERIAL NO.			
		SMILLER 2016/10/11	SEE TABLE			
		ANGULAR ±1/2°	DRAFT WHERE APPLICABLE MUST REMAIN WITHIN DIMENSIONS			
			THIS DRAWING CONTAINS INFORMATION THAT IS PROPRIETARY TO MOLEX INCORPORATED AND SHOULD NOT BE USED WITHOUT WRITTEN PERMISSION			



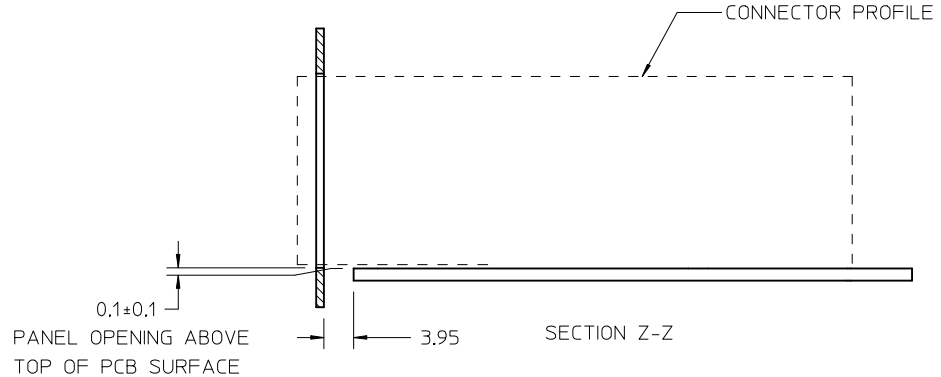
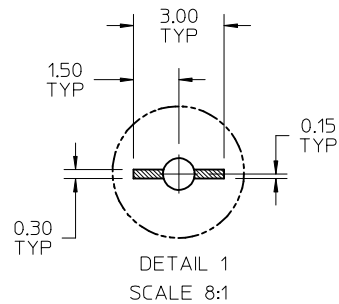
DETAIL 2
SCALE 5:1

HOLE CHART						
PORT SIZE	DIM A	SIGNAL TAILS ($\phi 0.37$)	SHIELD TAILS ($\phi 0.56$)	SHIELD TAILS ($\phi 0.81$)	SHIELD TAILS ($\phi 1.05$)	PEGS ($\phi 2.50$)
2X1	19.00	76	9	4	10	2
2X2	38.00	152	15	8	15	3
2X3	57.00	228	21	12	20	4

SEE SHEET 1 EC NO: UCP2017-0773 DRAWN BY: MWOLFE 2016/10/05 CHKD: CHPKD APPR: SMILLER 2016/10/11	QUALITY SYMBOLS	GENERAL TOLERANCES (UNLESS SPECIFIED)	DIMENSION STYLE MM ONLY	SCALE 2:1	DESIGN UNITS METRIC	THIRD ANGLE PROJECTION
	$\nabla = 0$	mm INCH	DRAWN BY DATE MWOLFE 2016/02/05	TITLE ZQSFP+ STACKED CONNECTOR WITH EMI SPRING FINGER THRU-FLOW, IRHS		
	$\nabla = 0$	4 PLACES ± --- ± ---	CHECKED BY DATE BBARKER 2016/02/05			
	$\nabla = 0$	2 PLACES ± 0.13 ± ---	APPROVED BY DATE SMILLER 2016/10/11	MATERIAL NO. SEE TABLE	DOCUMENT NO. SD-171722-0061	SHEET NO. 3 OF 4
A	REV	ANGULAR ±1/2°	SIZE C	DRAFT WHERE APPLICABLE MUST REMAIN WITHIN DIMENSIONS THIS DRAWING CONTAINS INFORMATION THAT IS PROPRIETARY TO MOLEX INCORPORATED AND SHOULD NOT BE USED WITHOUT WRITTEN PERMISSION		

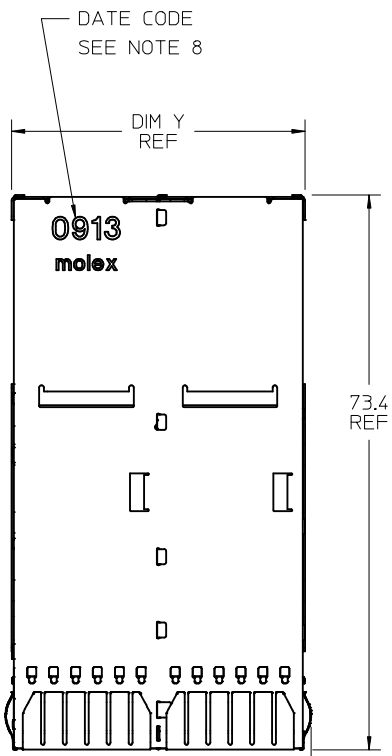


PORT SIZE	DIM B	DIM C
2X1	20.05	22.00 MINIMUM
2X2	39.05	41.00 MINIMUM
2X3	58.05	60.00 MINIMUM



- NOTES:
1. THE ENTIRE AREA UNDER THE CONNECTOR IS A COMPONENT KEEP-OUT ZONE.
 2. CROSS HATCHED AREAS INDICATE PLACES WHERE THE PLASTIC HOUSING AND METAL CAGE MAY BE IN CONTACT WITH THE PCB SURFACE. THESE AREAS ARE THE TRACE KEEP-OUT ZONES.

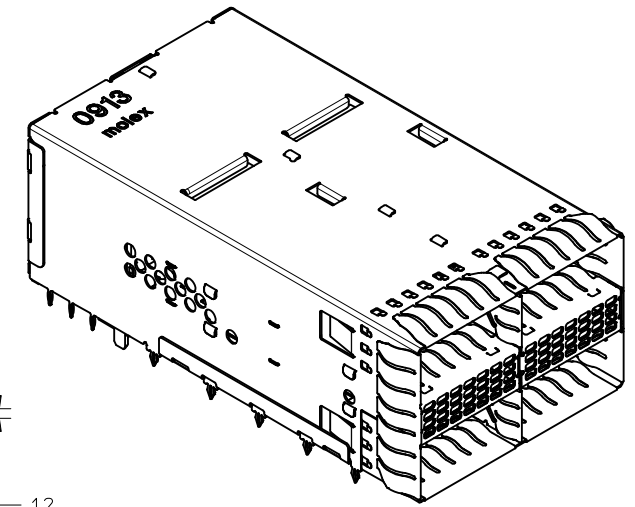
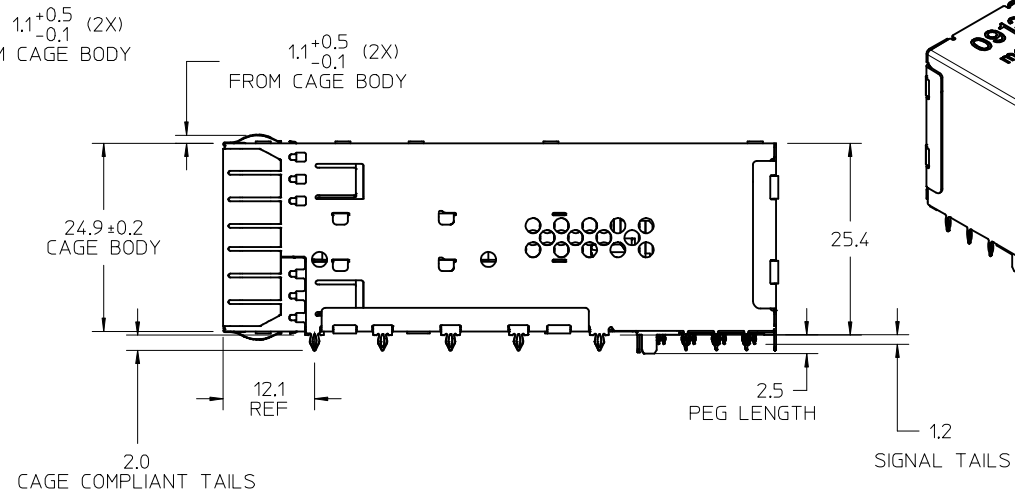
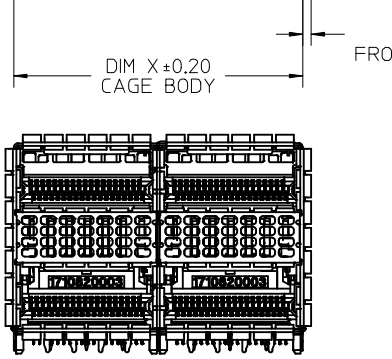
SEE SHEET 1 EC NO: UCP2017-0773 DRAWN: MWOLFE 2016/10/05 CHKD: SMILLER APPR: SMILLER 2016/10/11	QUALITY SYMBOLS	GENERAL TOLERANCES (UNLESS SPECIFIED)	DIMENSION STYLE MM ONLY	SCALE 2:1	DESIGN UNITS METRIC	THIRD ANGLE PROJECTION
	▽=0	mm INCH	DRAWN BY DATE MWOLFE 2016/02/05	TITLE ZQSFP+ STACKED CONNECTOR WITH EMI SPRING FINGER THRU-FLOW, IRHS DOCUMENT NO. SD-171722-0061 SHEET NO. 4 OF 4		
	▽=0	4 PLACES ± --- ± ---	CHECKED BY DATE BBARKER 2016/02/05			
	▽=0	3 PLACES ± --- ± ---	APPROVED BY DATE SMILLER 2016/10/11			
	2 PLACES ±0.13 ± ---					
	1 PLACE ±0.25 ± ---	ANGULAR ±1/2°	MATERIAL NO.			
	0 PLACE ± --- ± ---	DRAFT WHERE APPLICABLE MUST REMAIN WITHIN DIMENSIONS	SIZE C	THIS DRAWING CONTAINS INFORMATION THAT IS PROPRIETARY TO MOLEX INCORPORATED AND SHOULD NOT BE USED WITHOUT WRITTEN PERMISSION		



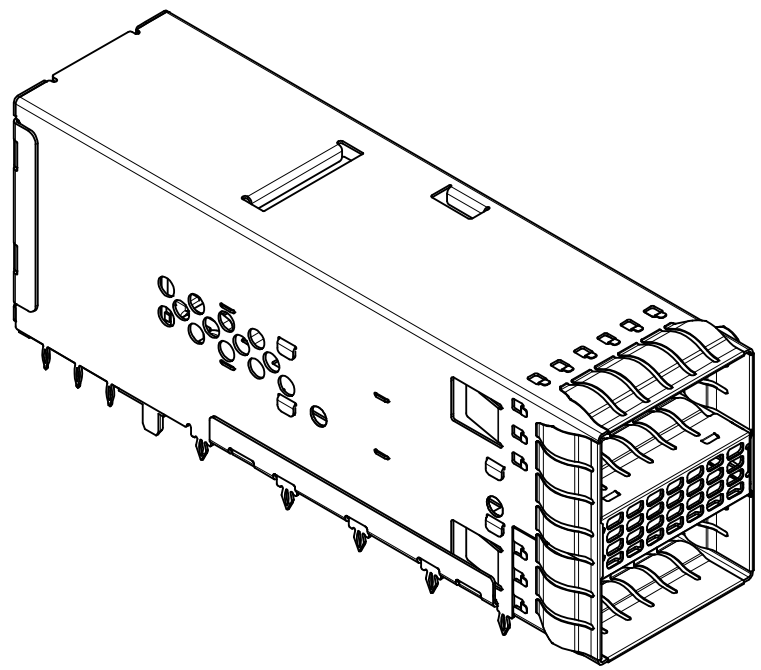
PORT SIZE	PART NUMBER	DIM X	DIM Y
2X1	171722-1061	19.25	19.85
2X2	171722-2061	38.25	38.85
2X3	171722-3061	57.25	57.85

- NOTES:
- MATERIAL:
 CAGE: STAINLESS STEEL
 SPRING FINGERS: COPPER ALLOY
 CONNECTOR HOUSING: GLASS FILLED LIQUID CRYSTAL POLYMER (LCP),
 COLOR: BLACK, 94V-0
 TERMINALS: HIGH PERFORMANCE COPPER ALLOY
 INTERNAL 8 FIN HEATSINKS: ANNOXIDIZED ALUMINUM
 INTERNAL HEATSINK CLIPS: STAINLESS STEEL
 - FINISH:
 SPRING FINGERS: 0.5 MICROMETER MINIMUM NICKEL
 TERMINALS:
 CONTACT AREA: 0.76 MICROMETER MINIMUM GOLD OVER
 A NICKEL UNDERPLATE.
 COMPLIANT AREA: 0.76-1.52 MICROMETER MATTE TIN
 OVER A NICKEL UNDERPLATE.
 - PRODUCT SPECIFICATION: PS-171565-0001
 - PACKAGING SPECIFICATION: PK-171565-0001
 - APPLICATION SPECIFICATIONS: AS-171565-0001 AND AS-171565-0002
 - ALL SURFACES TO BE CLASS 'C' OR BETTER PER MOLEX COSMETIC SPECIFICATION ES-171233-0001.
 - CONNECTOR INTENDED TO MATE WITH PLUG CABLE SERIES 74757 AND 74758.
 - DATE CODE LOCATION SHOWN, DATE CODE FORMAT: DDDY
 DDD = DAY OF THE YEAR, Y = YEAR.

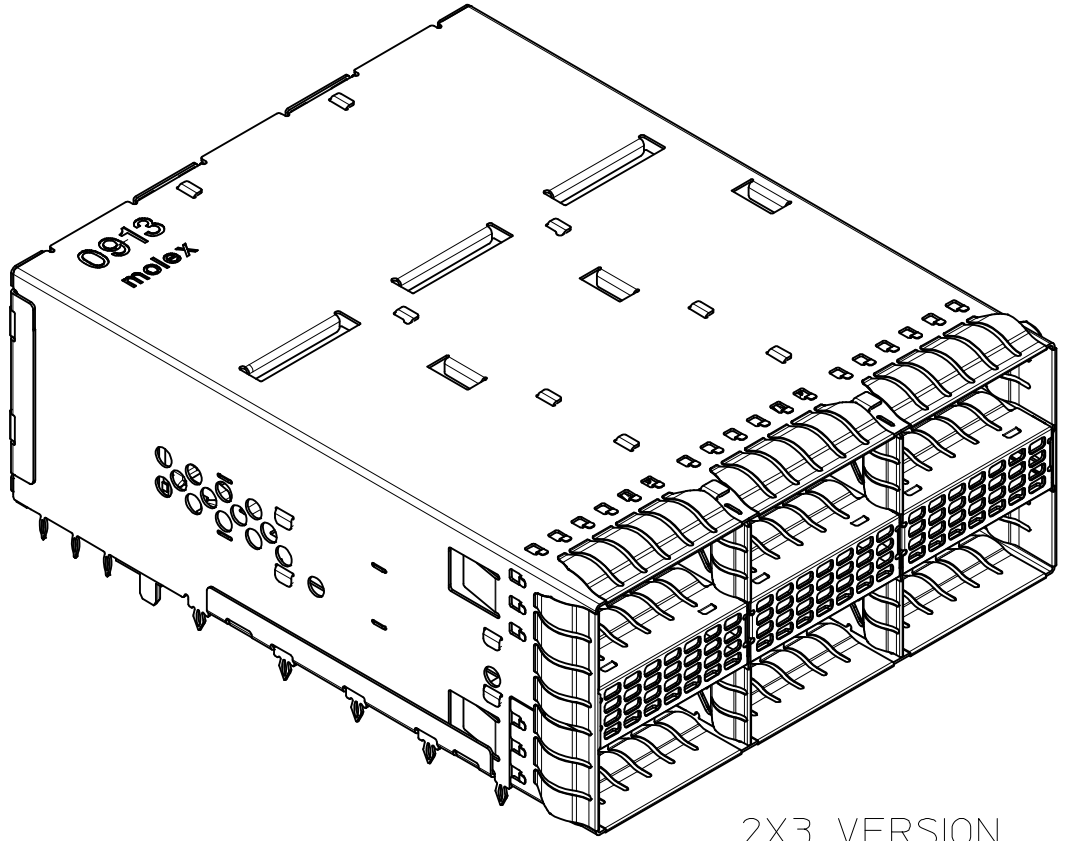
2x2 VERSION SHOWN



REV HEIGHT DIM EC NO: UCP2017-0773 DRWN: MWOLFE 2016/10/05 CHKD: MWOLFE APPR: SMILLER 2016/10/11 REV: A	QUALITY SYMBOLS 	GENERAL TOLERANCES (UNLESS SPECIFIED)		DIMENSION STYLE MM ONLY		SCALE 2:1	DESIGN UNITS METRIC	THIRD ANGLE PROJECTION																	
		<table border="1"> <thead> <tr> <th></th> <th>mm</th> <th>INCH</th> </tr> </thead> <tbody> <tr> <td>4 PLACES</td> <td>± 0.13</td> <td>± 0.005</td> </tr> <tr> <td>3 PLACES</td> <td>± 0.25</td> <td>± 0.010</td> </tr> <tr> <td>2 PLACES</td> <td>± 0.38</td> <td>± 0.015</td> </tr> <tr> <td>1 PLACE</td> <td>± 0.51</td> <td>± 0.020</td> </tr> <tr> <td>0 PLACE</td> <td>± 0.64</td> <td>± 0.025</td> </tr> </tbody> </table>			mm	INCH	4 PLACES	± 0.13	± 0.005	3 PLACES	± 0.25	± 0.010	2 PLACES	± 0.38	± 0.015	1 PLACE	± 0.51	± 0.020	0 PLACE	± 0.64	± 0.025	DRAWN BY DATE MWOLFE 2016/02/05		TITLE ZQSFP+ STACKED CONNECTOR WITH EMI SPRING FINGER THRU-FLOW, IRHS	
			mm	INCH																					
		4 PLACES	± 0.13	± 0.005																					
3 PLACES	± 0.25	± 0.010																							
2 PLACES	± 0.38	± 0.015																							
1 PLACE	± 0.51	± 0.020																							
0 PLACE	± 0.64	± 0.025																							
DRAFT WHERE APPLICABLE MUST REMAIN WITHIN DIMENSIONS		CHECKED BY DATE BBARKER 2016/02/05		APPROVED BY DATE SMILLER 2016/10/11		DOCUMENT NO. SD-171722-0061		SHEET NO. 1 OF 4																	
		ANGULAR ±1/2°		MATERIAL NO. SEE TABLE																					

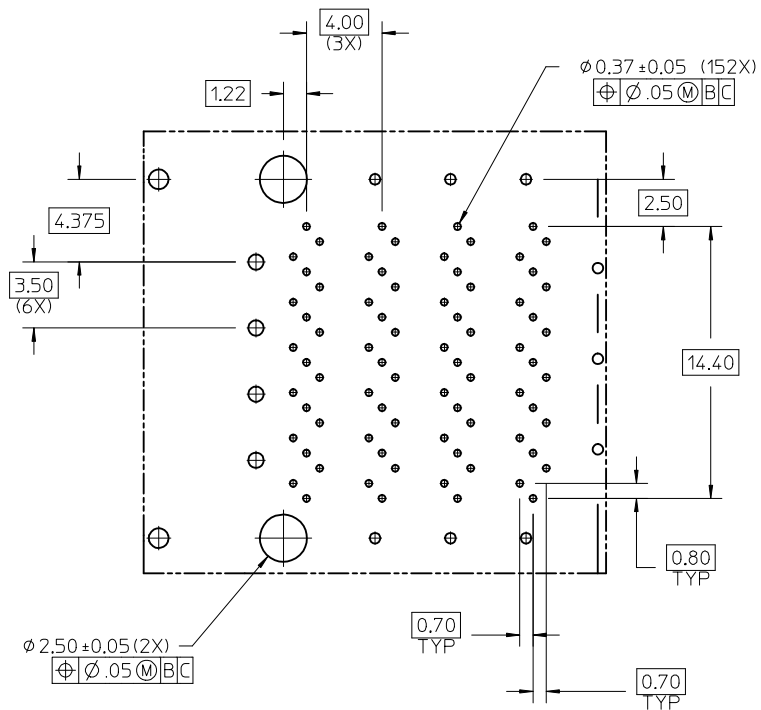
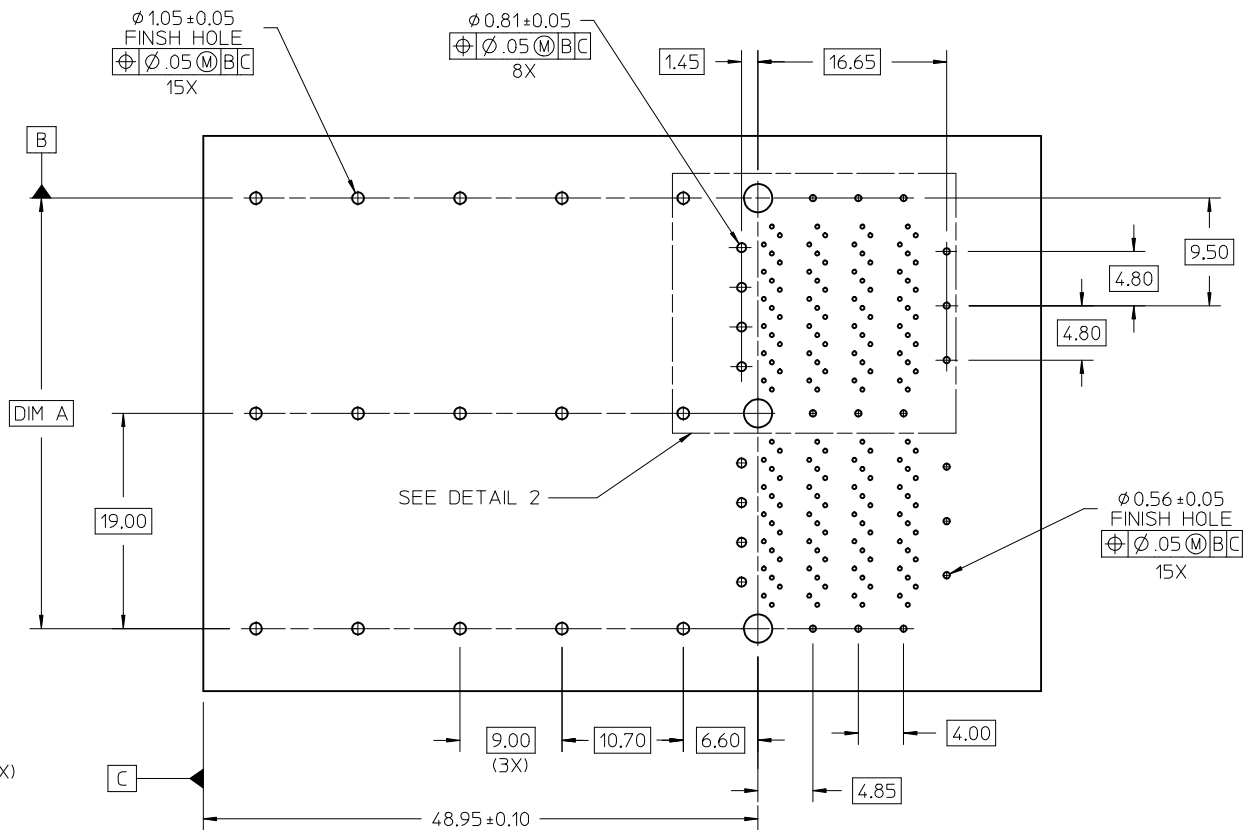


2X1 VERSION



2X3 VERSION

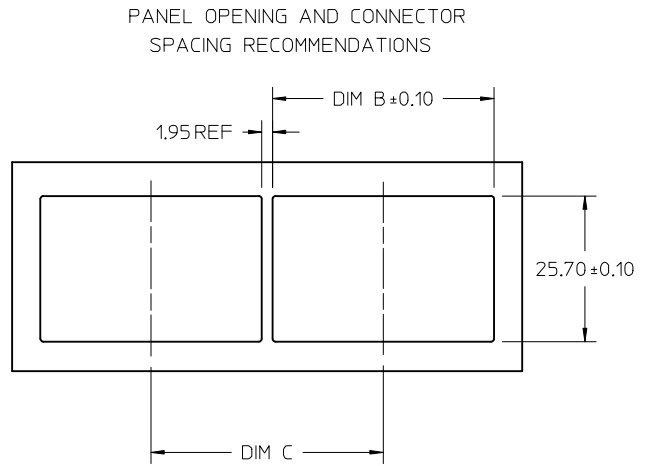
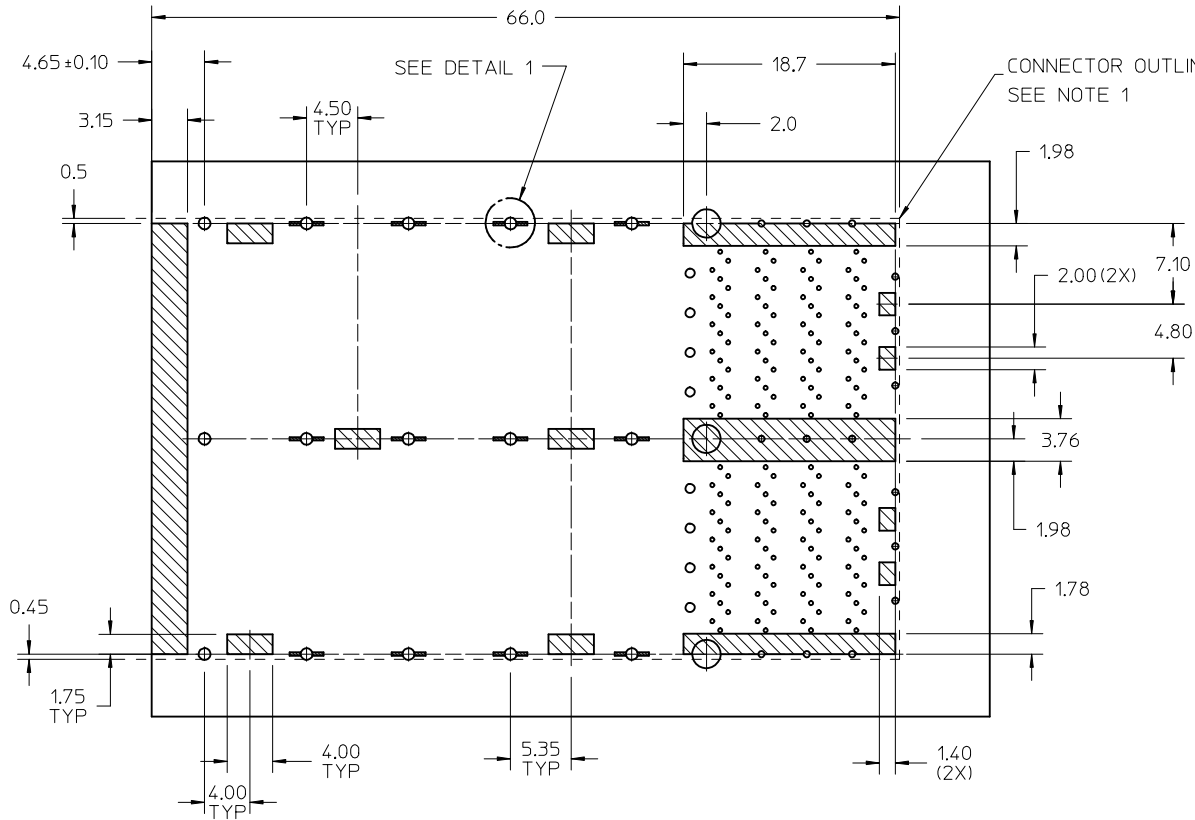
SEE SHEET 1 EC NO: UCP2017-0773 DRAWN: MWOLFE 2016/10/05 CHKD: APPR: SMILLER 2016/10/11 REV: A	QUALITY SYMBOLS	GENERAL TOLERANCES (UNLESS SPECIFIED)	DIMENSION STYLE	SCALE	DESIGN UNITS	THIRD ANGLE PROJECTION
	▽=0	mm INCH	MM ONLY	3:1	METRIC	
	▽=0	4 PLACES ± --- ± ---	DRAWN BY DATE	TITLE ZQSFP+ STACKED CONNECTOR WITH EMI SPRING FINGER THRU-FLOW, IRHS		
	▽=0	3 PLACES ± --- ± ---	MWOLFE 2016/02/05			
	▽=0	2 PLACES ± 0.13 ± ---	CHECKED BY DATE	DOCUMENT NO. SD-171722-0061		
▽=0	1 PLACE ± 0.25 ± ---	BBARKER 2016/02/05				
▽=0	0 PLACE ± --- ± ---	APPROVED BY DATE	SHEET NO. 2 OF 4			
	ANGULAR ±1/2°	SMILLER 2016/10/11				
	DRAFT WHERE APPLICABLE MUST REMAIN WITHIN DIMENSIONS	MATERIAL NO.	THIS DRAWING CONTAINS INFORMATION THAT IS PROPRIETARY TO MOLEX INCORPORATED AND SHOULD NOT BE USED WITHOUT WRITTEN PERMISSION			
		SEE TABLE				



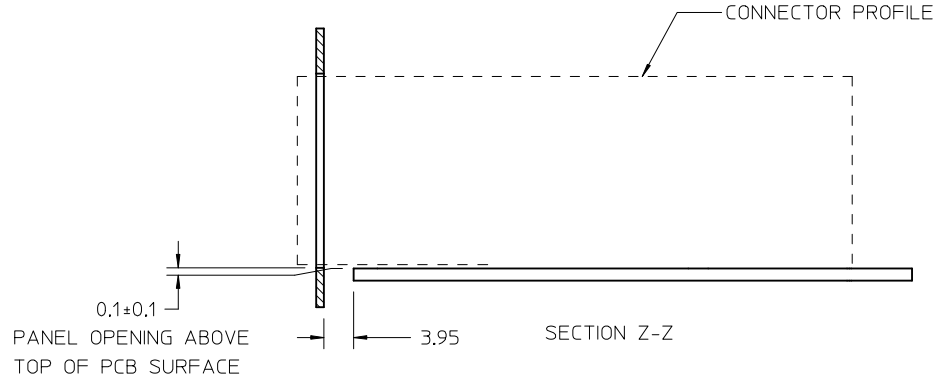
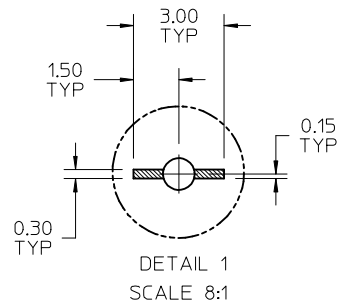
DETAIL 2
SCALE 5:1

HOLE CHART						
PORT SIZE	DIM A	SIGNAL TAILS ($\phi 0.37$)	SHIELD TAILS ($\phi 0.56$)	SHIELD TAILS ($\phi 0.81$)	SHIELD TAILS ($\phi 1.05$)	PEGS ($\phi 2.50$)
2X1	19.00	76	9	4	10	2
2X2	38.00	152	15	8	15	3
2X3	57.00	228	21	12	20	4

SEE SHEET 1 EC NO: UCP2017-0773 DRAWN BY: MWOLFE 2016/10/05 CHKD: CHPKD APPR: SMILLER 2016/10/11	QUALITY SYMBOLS	GENERAL TOLERANCES (UNLESS SPECIFIED)	DIMENSION STYLE MM ONLY	SCALE 2:1	DESIGN UNITS METRIC	THIRD ANGLE PROJECTION
	▽=0	mm INCH	DRAWN BY DATE MWOLFE 2016/02/05	TITLE ZQSFP+ STACKED CONNECTOR WITH EMI SPRING FINGER THRU-FLOW, IRHS		
	▽=0	4 PLACES ± --- ± ---	CHECKED BY DATE BBARKER 2016/02/05			
	▽=0	2 PLACES ± 0.13 ± ---	APPROVED BY DATE SMILLER 2016/10/11	MATERIAL NO. SEE TABLE	DOCUMENT NO. SD-171722-0061	SHEET NO. 3 OF 4
A	REV	ANGULAR ±1/2°	SIZE C	DRAFT WHERE APPLICABLE MUST REMAIN WITHIN DIMENSIONS THIS DRAWING CONTAINS INFORMATION THAT IS PROPRIETARY TO MOLEX INCORPORATED AND SHOULD NOT BE USED WITHOUT WRITTEN PERMISSION		



PORT SIZE	DIM B	DIM C
2X1	20.05	22.00 MINIMUM
2X2	39.05	41.00 MINIMUM
2X3	58.05	60.00 MINIMUM



- NOTES:
1. THE ENTIRE AREA UNDER THE CONNECTOR IS A COMPONENT KEEP-OUT ZONE.
 2. CROSS HATCHED AREAS INDICATE PLACES WHERE THE PLASTIC HOUSING AND METAL CAGE MAY BE IN CONTACT WITH THE PCB SURFACE. THESE AREAS ARE THE TRACE KEEP-OUT ZONES.

SEE SHEET 1 EC NO: UCP2017-0773 DRAWN: MWOLFE 2016/10/05 CHKD: SMILLER APPR: SMILLER 2016/10/11	QUALITY SYMBOLS	GENERAL TOLERANCES (UNLESS SPECIFIED)	DIMENSION STYLE MM ONLY	SCALE 2:1	DESIGN UNITS METRIC	THIRD ANGLE PROJECTION
	▽=0	mm INCH	DRAWN BY DATE MWOLFE 2016/02/05	TITLE ZQSFP+ STACKED CONNECTOR WITH EMI SPRING FINGER THRU-FLOW, IRHS		
	▽=0	4 PLACES ± --- ± ---	CHECKED BY DATE BBARKER 2016/02/05			
	▽=0	3 PLACES ± --- ± ---	APPROVED BY DATE SMILLER 2016/10/11			
		2 PLACES ±0.13 ± ---	MATERIAL NO.	DOCUMENT NO.	SHEET NO.	
		1 PLACE ±0.25 ± ---	SEE TABLE	SD-171722-0061	4 OF 4	
		0 PLACE ± --- ± ---	DRAFT WHERE APPLICABLE MUST REMAIN WITHIN DIMENSIONS THIS DRAWING CONTAINS INFORMATION THAT IS PROPRIETARY TO MOLEX INCORPORATED AND SHOULD NOT BE USED WITHOUT WRITTEN PERMISSION			