

LOC  
A1

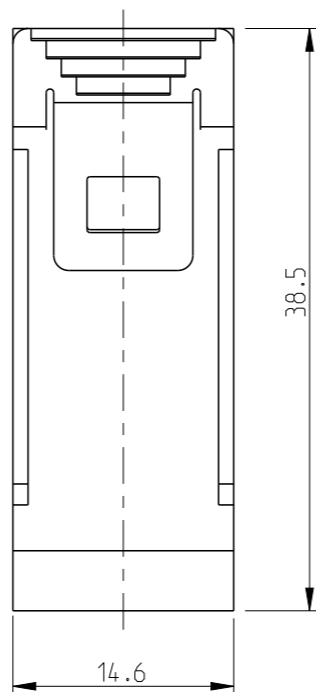
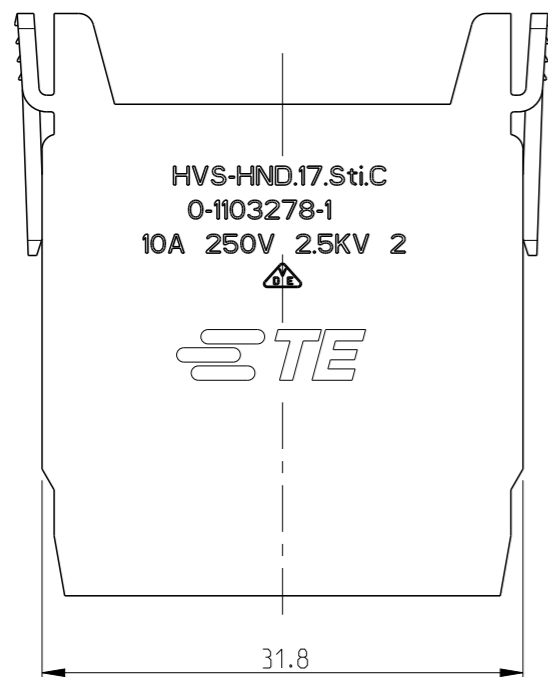
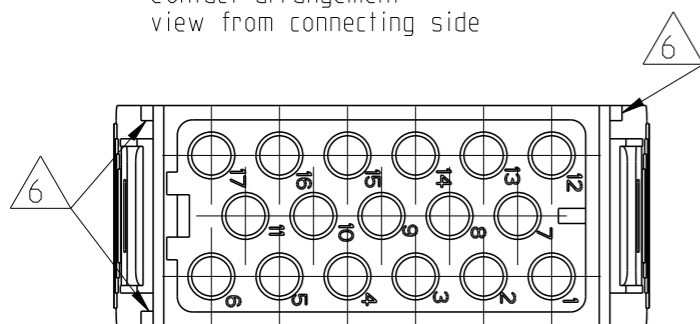
DIST

REVISIONS

P	LTR	DESCRIPTION	DATE	DWN	APVD
	C	ECR-15-007608	30MAY2015	GSK	JB

PN 0-1 As Shown

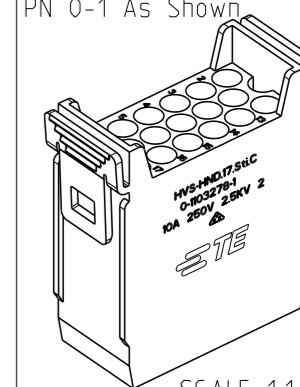
Contact arrangement  
view from connecting side



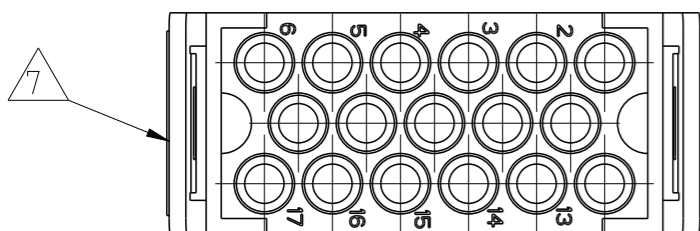
NOTES

- 1 SUITABLE CRIMP CONTACTS: SERIES HN.D  
CUSTOMER DRAWING: 1105050  
OUTER DIMENSIONS OF INSULATION: MAX. Ø4mm
- 2 SUITABLE MODULE FIXING FRAME: SERIES HVS SIZE 3 TO 8  
CUSTOMER DRAWING: 1103250
- 3 SUITABLE INSERTION TOOL:  
CUSTOMER DRAWING: 1102855
- 4 SUITABLE EXTRACTION TOOL:  
CUSTOMER DRAWING: 1102855
- 5 STANDARDS:  
DIN EN 61984; DIN EN 60664-1
- 6 POLARIZATION RIPS
- 7 MARKING OF POLARIZATION ACCORDING TO MARKING OF  
MODULE FRAME
- 8 PACKAGING:  
10 SETS IN A CARTON, PRE-MOUNTED

PN 0-1 As Shown



Contact arrangement  
view from termination side



QTY	DESCRIPTION	MATERIAL	COLOR	ITEM NO
1	MALE INSERT	PBT-GF10	LIGHT GREY	1
PN 0-1 / HVS-HN.D.17.Sti.C				

THIS DRAWING IS A CONTROLLED DOCUMENT.

DWN 20.02.2006  
SCHNEIDER

CHK 20.02.2006  
A.GAST

APVD 20.02.2006  
T.SCHNURPFIL

PRODUCT SPEC  
108-74083

APPLICATION SPEC  
114-74085

WEIGHT

CUSTOMER DRAWING



NAME  
**MALE INSERT  
HVS-HND.17.STI.C**

SIZE CAGE CODE DRAWING NO RESTRICTED TO  
A3 00779 C-1103278

DIMENSIONS:	TOLERANCES UNLESS OTHERWISE SPECIFIED:
mm	ISO 8075 DIN ISO 2768 mH-E DIN 16901-120
0 PLC	±
1 PLC	±
2 PLC	±
3 PLC	±
4 PLC	±
ANGLES	±
MATERIAL	FINISH

