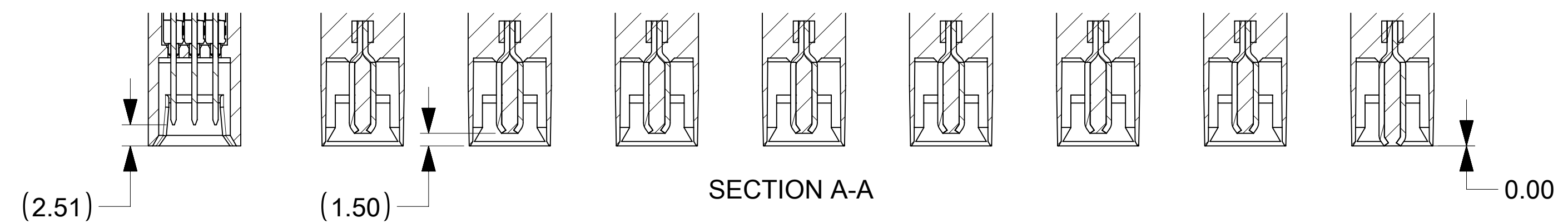
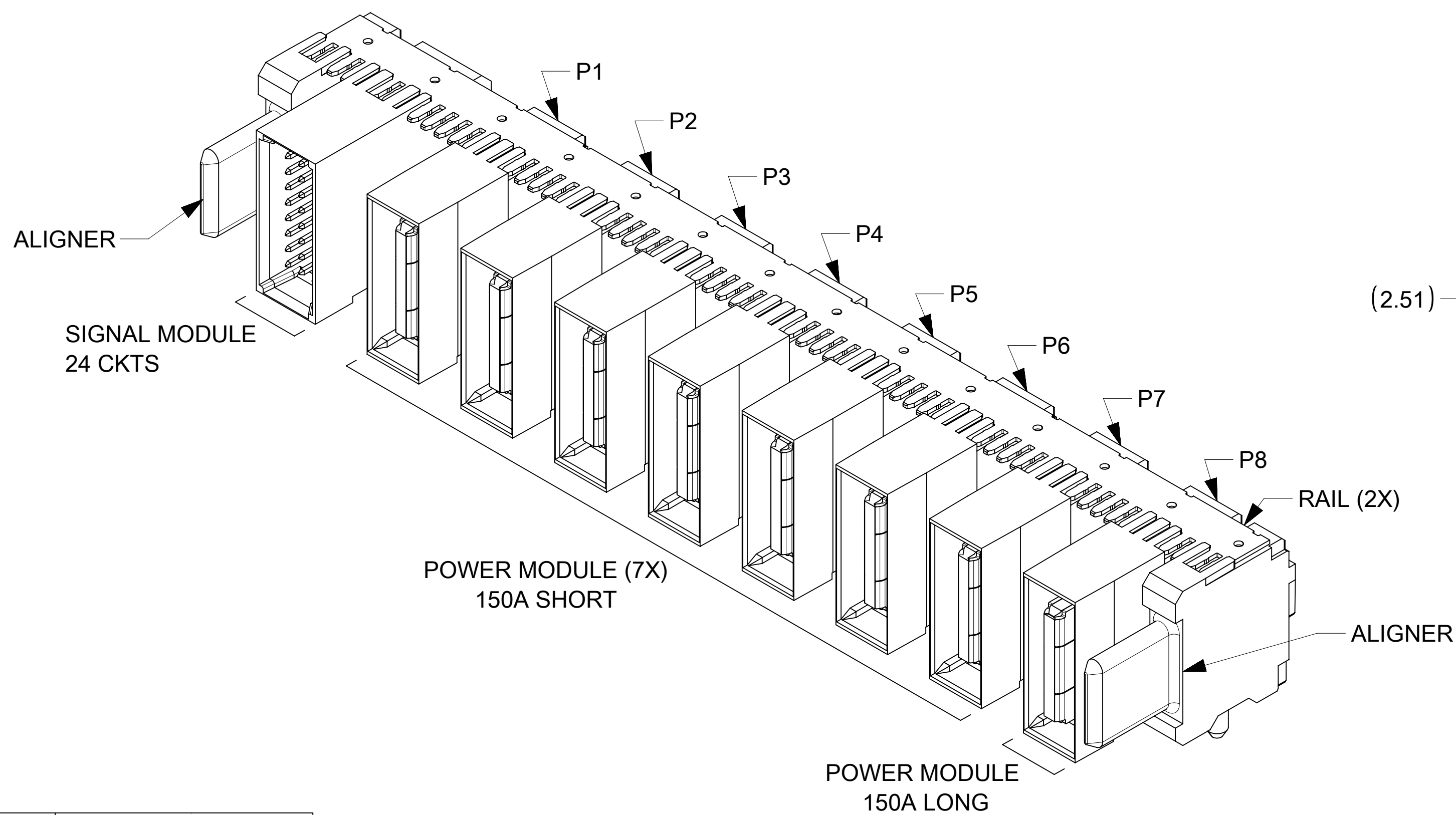
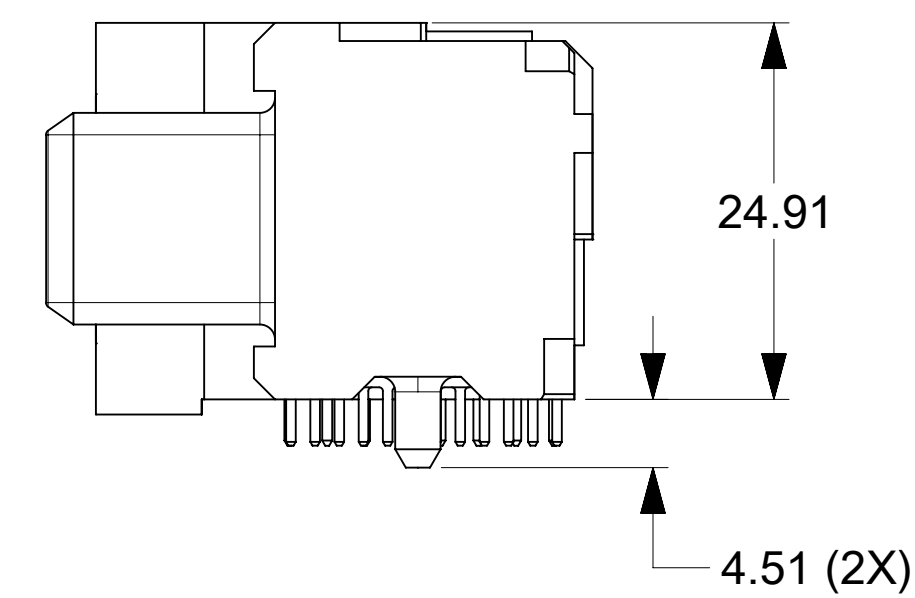
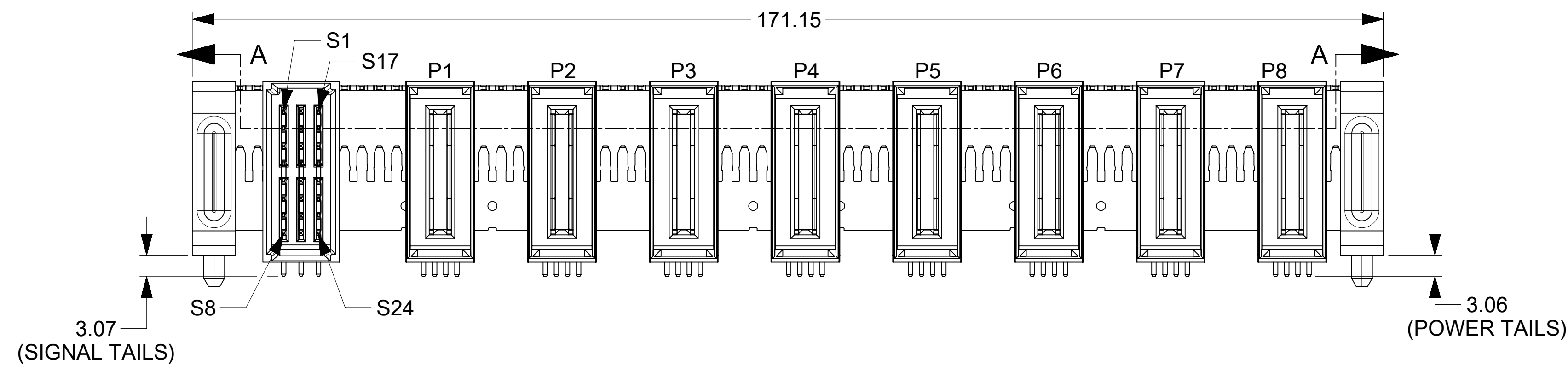


NOTES:

- MATERIAL:
 - HOUSINGS: HIGH TEMPERATURE PLASTIC (LCP), UL94V-0, COLOR-BLACK
 - TERMINALS: HIGH CONDUCTIVITY COPPER ALLOY
 - PLATING: 1.27um NICKEL OVERALL WITH 2.54um SELECTIVE TIN ON SOLDER TAILS AND 0.76um SELECTIVE GOLD ON CONTACT AREA
 - RAILS: STAINLESS STEEL
 - ALIGNER: ZINC DIE CAST WITH CLEAR CHROMATE FINISH
 - LUBRICATION: EB1 IN CONTACT AREA
- MODULES ARE ASSEMBLED TO RAILS.
- PACKAGING: ASSEMBLIES TO BE TRAY PACKED PER PKG SPEC PK-75555-100.
- INDIVIDUAL MODULES ARE RATED FOR VARIOUS VOLTAGE & CURRENT RATINGS PER PS-75431-999.
- ASSEMBLY IS PRESS-FIT INTO PC BOARD. SEE PC BOARD LAYOUT IN SHT 2 FOR PRESS-FIT HOLES DEATILS.
- RECOMMENDED PC BOARD THICKNESS. 3.18 mm RECOMMENDED SCREW P/N BY ASSUMING THE PCB THICKNESS AS 3.18MM. FOR ANY HIGHER PCB THICKNESS CONTACT MOLEX FOR SCREW P/N.
- PRODUCT TO MEET RoHS REQUIREMENTS.
- HEADER MATES TO MOLEX RECEPTACLE P/N: 75541-1065.
- REFER TO AS-171528-001 FOR PCB INSERTIION INSTRUCTIONS.
- PLATED THRU HOLE (PTH) DIMENSIONS: $\phi 1.09 \pm 0.05$ FINISHED PTH (TYP)
 $\phi 1.200 \pm 0.013$ DRILL
0.025MIN COPPER PLATE THICKNESS
- ALIGNER MODULE SCREWS DELIVERED WITH CONNECTOR ASSEMBLY (4 PER ASSY)
 - #2-56UNC-2A, ZINC PLATED STEEL, 9.50 LONG, 4.2 DIA PAN HEAD TORX DRIVE (MOLEX P/N 73774-4005). RECOMMENDED TORQUE 0.20 N-m.



THIS DRAWING CONTAINS INFORMATION THAT IS PROPRIETARY TO MOLEX ELECTRONIC TECHNOLOGIES, LLC AND SHOULD NOT BE USED WITHOUT WRITTEN PERMISSION

DIMENSION UNITS	SCALE	CURRENT REV DESC: PRODUCT RELEASE	
mm	NTS		
GENERAL TOLERANCES (UNLESS SPECIFIED)			
ANGULAR TOL	$\pm 0.5^\circ$		
4 PLACES	\pm	EC NO: 672363	2021/07/27
3 PLACES	\pm	DRWN: KSUTAR	2021/08/04
2 PLACES	± 0.25	CHK'D: SCS02	2021/08/09
1 PLACE	± 0.38	APPR: HTHYAGARAJ	
0 PLACES	\pm	INITIAL REVISION:	
DRAFT WHERE APPLICABLE MUST REMAIN WITHIN DIMENSIONS		DRWN: KSUTAR	2021/07/27
THIRD ANGLE PROJECTION		APPR: HTHYAGARAJ	2021/08/09
DRAWING		SERIES	MATERIAL NUMBER
D-SIZE		75555	755551065
CUSTOMER		GENERAL MARKET	
SHEET NUMBER		1 OF 2	

molex

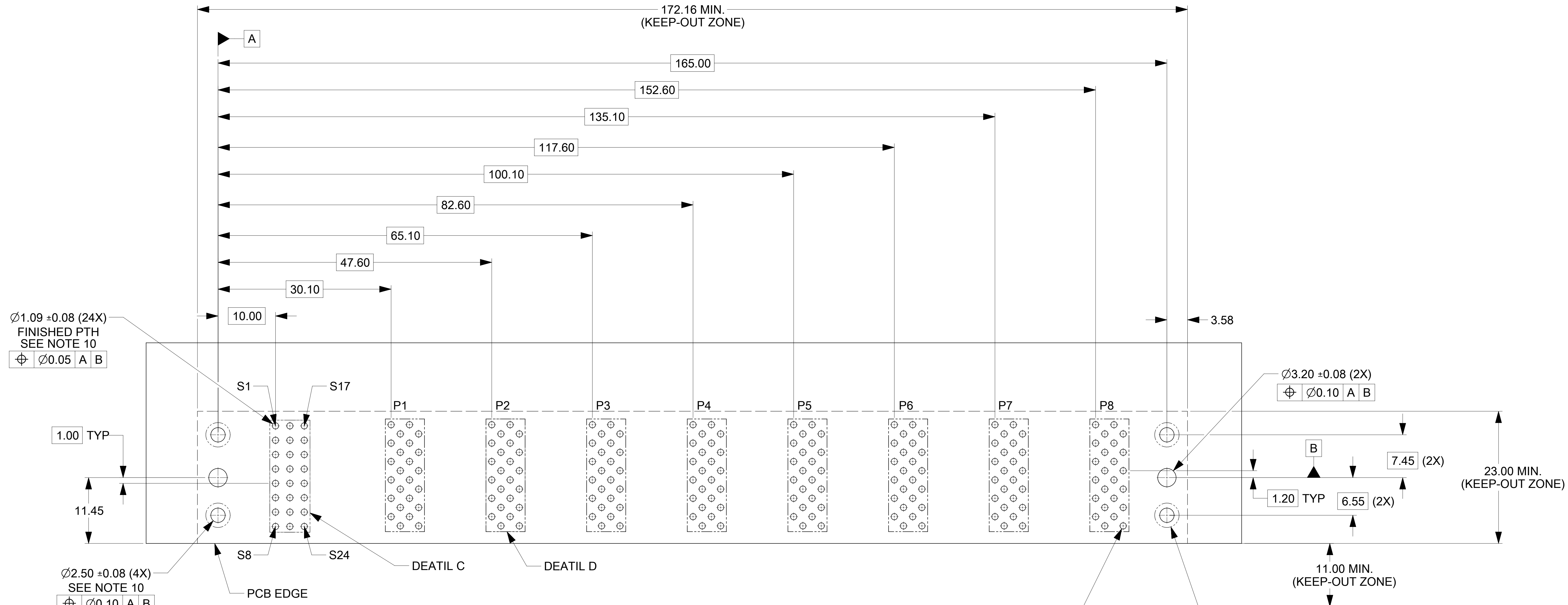
ASSEMBLY, HEADER, R/A SOLDER TAIL
1X24S, 8X150A EXTREME POWERMASS

PRODUCT CUSTOMER DRAWING

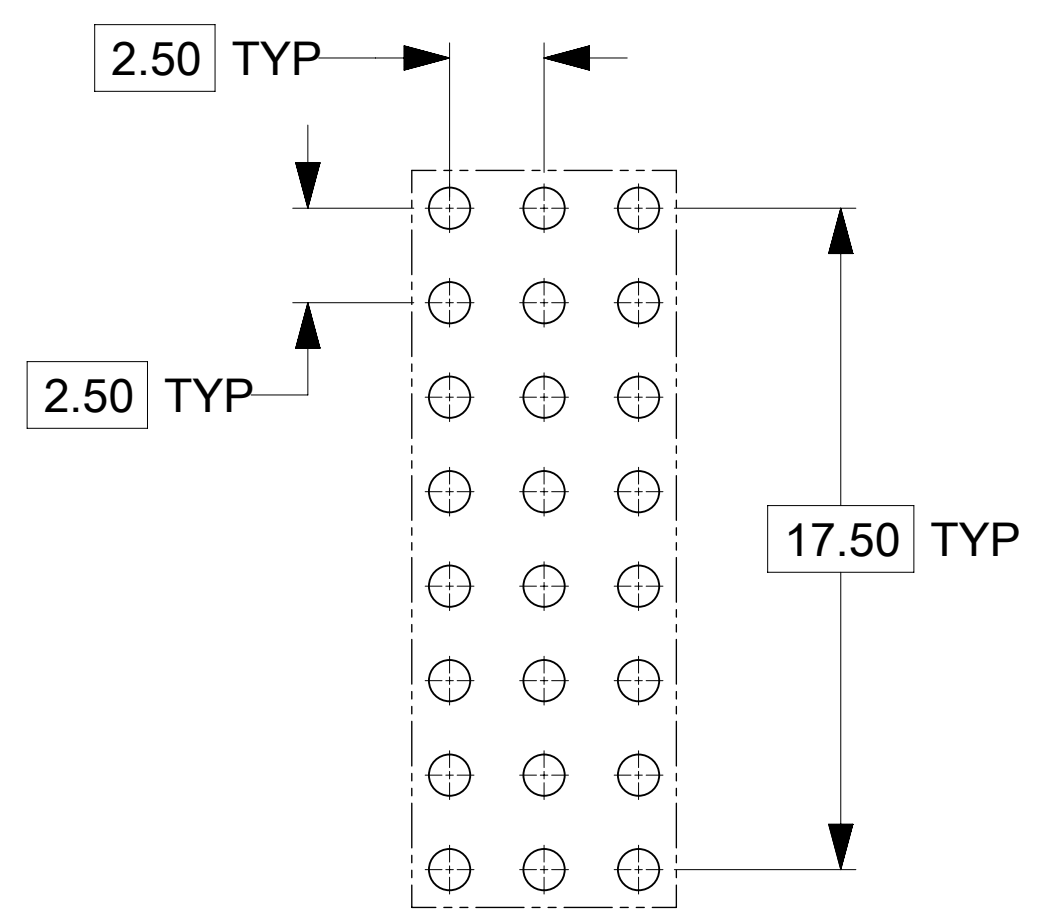
DOCUMENT NUMBER DOC TYPE DOC PART REVISION

755551065

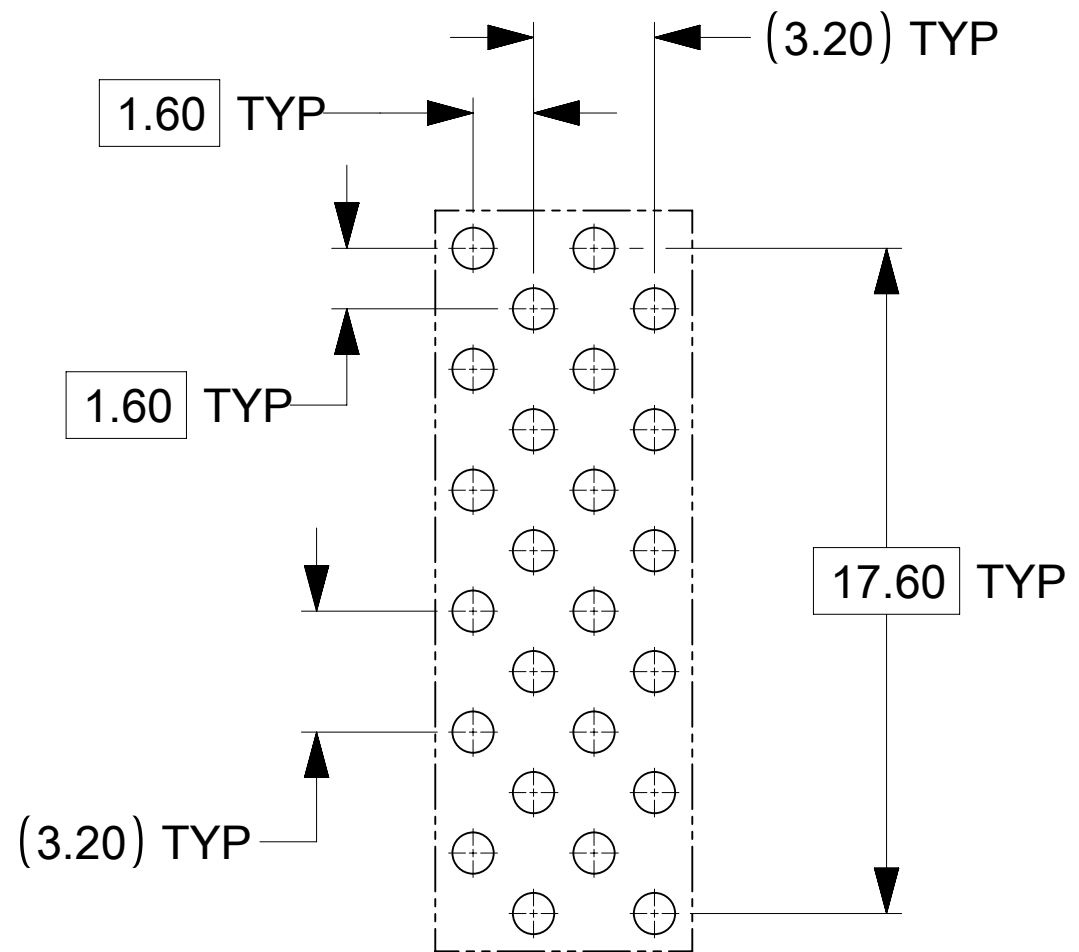
PSD 000 A



RECOMMENDED PCB LAYOUT
GENERAL TOLERANCE ±0.05



DETAIL C
SCALE 5:1
SIGNAL MODULE
24-CKT



DETAIL D
SCALE 5:1
POWER MODULE
150A

Ø1.09 ±0.05 (192X)
FINISHED PTH
SEE NOTE 10
⊕ Ø0.05 A B

Ø4.25 (4X)
SCREW HEADER/WASHER
KEEP-OUT ZONE
(BOTTOM SIDE)

THIS DRAWING CONTAINS INFORMATION THAT IS PROPRIETARY TO MOLEX ELECTRONIC TECHNOLOGIES, LLC AND SHOULD NOT BE USED WITHOUT WRITTEN PERMISSION											
DIMENSION UNITS		SCALE		CURRENT REV DESC: PRODUCT RELEASE							
mm		NTS		molex ASSEMBLY, HEADER, R/A SOLDER TAIL 1X24S, 8X150A EXTREME POWERMASS PRODUCT CUSTOMER DRAWING DOCUMENT NUMBER: 755551065 DOC TYPE: PSD DOC PART: 000 REVISION: A MATERIAL NUMBER: 755551065 CUSTOMER: GENERAL MARKET SHEET NUMBER: 2 OF 2							
GENERAL TOLERANCES (UNLESS SPECIFIED)											
ANGULAR TOL ± 0.5°											
4 PLACES ±											
3 PLACES ±											
2 PLACES ± 0.25											
1 PLACE ± 0.38											
0 PLACES ±				EC NO: 672363		DRWN: KSUTAR		2021/07/27			
DRAFT WHERE APPLICABLE MUST REMAIN WITHIN DIMENSIONS				THIRD ANGLE PROJECTION		DRAWING		SERIES			
D-DRAWING		75555		MATERIAL NUMBER		CUSTOMER		SHEET NUMBER			