

MATERIALS AND FINISHES:

PART NO. 73415-4760/73415-4761
73415-4762/73415-4763
73415-4765

BODY: BRASS
PLATED: GOLD (2 μ-in MIN) OVER NICKEL (100 μ-in MIN)
OVER COPPER (50 μ-in MIN)

CONTACT: BERYLLIUM COPPER
PLATED: GOLD (10 μ-in MIN) OVER NICKEL (150 μ-in MIN)
OVER COPPER (50 μ-in MIN)

INSULATOR: PTFE

WITHSTANDS 48 HRS SALT SPRAY TEST

NOTES:

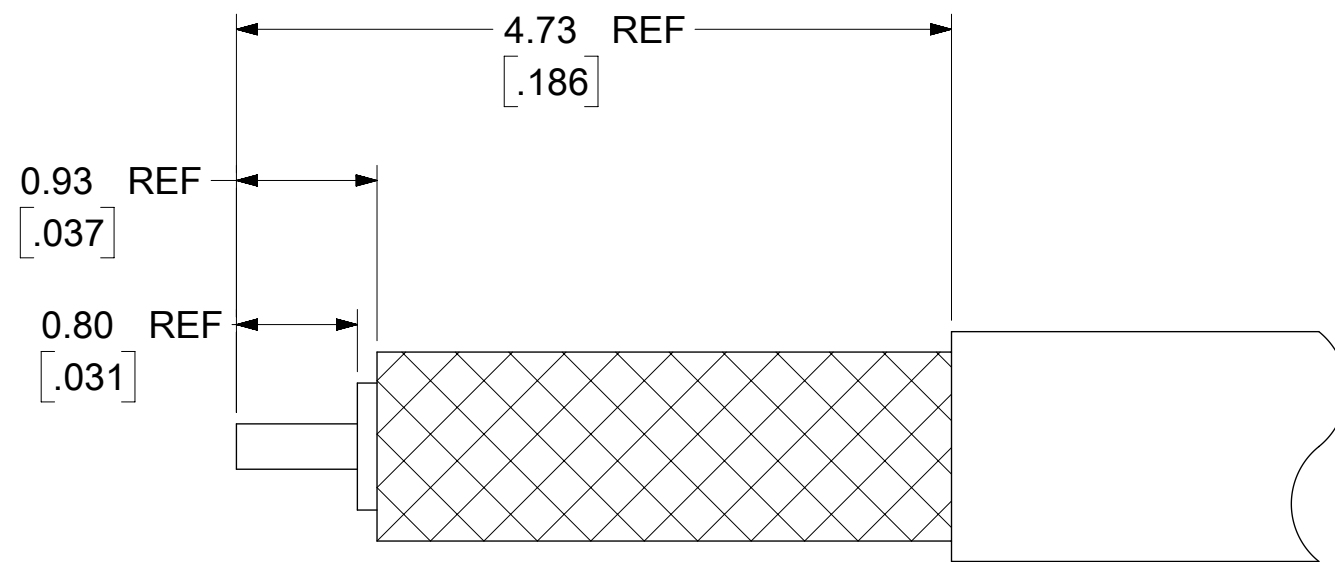
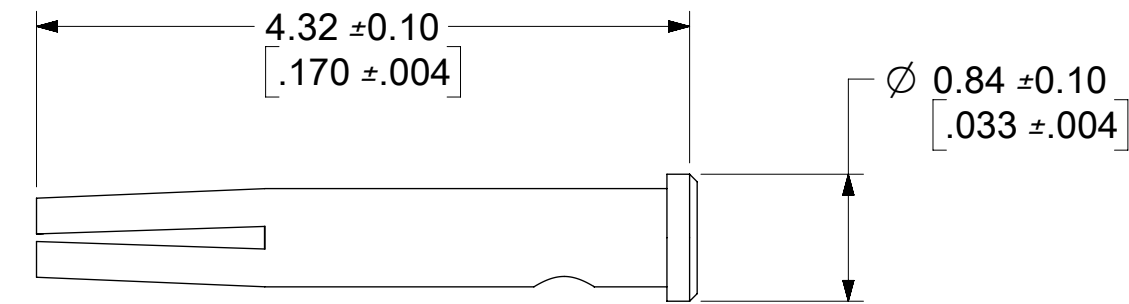
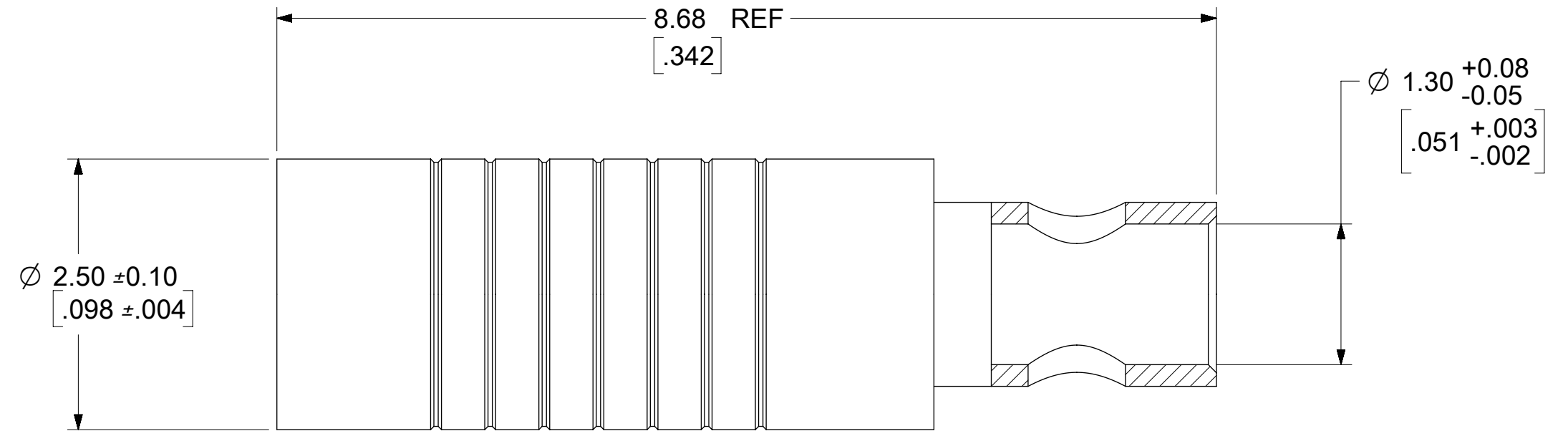
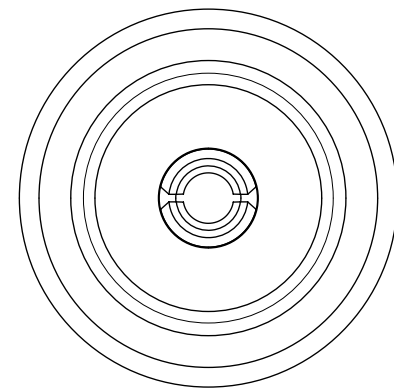
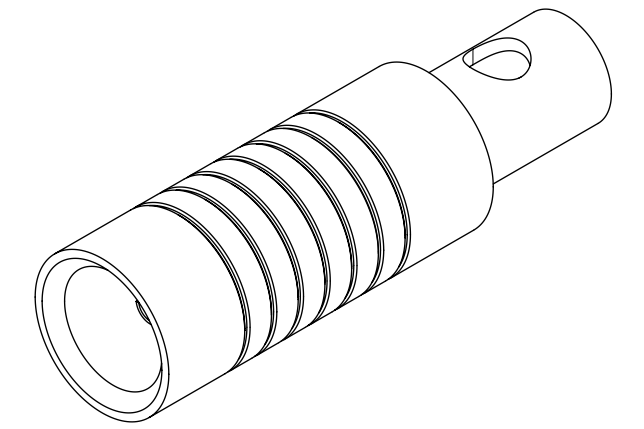
1. PART NO 73415-4761 WITHOUT CONTACT
2. 73415-4762 WITH CUSTOMER REQUEST PACKAGING
3. PART NO 73415-4763 USE PART NO 73415-4760 WITH 500 PCS BY BAG

PART NO. 73415-4764

BODY: BERYLLIUM COPPER
PLATED: TRI-METAL

CONTACT: BERYLLIUM COPPER
PLATED: GOLD (10μ-in MIN) OVER TRI-M (80 μ-in MIN)

INSULATOR: PTFE



RECOMMENDED CABLE
STRIP DIMENSION
(.047 / 1.3MM)

73415-4767	NON MAGNETIC	1 PIECE 73415-4764 PER BAG
73415-4766	GENERAL TYPE	1 PIECE 73415-4760 PER BAG
73415-4765	GENERAL TYPE	SPECIFIC LABEL ON OUTER BOX
73415-4764	NON MAGNETIC	500 PCS PER BAG
73415-4763	GENERAL TYPE	500 PCS PER BAG
73415-4762	GENERAL TYPE	SEE NOTE 2
73415-4761	GENERAL TYPE	SEE NOTE 1
73415-4760	GENERAL TYPE	1000 PCS PER BAG
PART NO	DESCRIPTION	PACKAGING

PS-73598-022	PRODUCT SPECIFICATION
SPECIFICATION	DESCRIPTION

SYMBOLS	THIS DRAWING CONTAINS INFORMATION THAT IS PROPRIETARY TO MOLEX ELECTRONIC TECHNOLOGIES, LLC AND SHOULD NOT BE USED WITHOUT WRITTEN PERMISSION	
	DIMENSION UNITS	SCALE
▽ = 0	MM/IN	NTS
▽ = 0	GENERAL TOLERANCES (UNLESS SPECIFIED)	
▽ = 0	MM	INCH
▽ = 0	4 PLACES	±
▽ = 0	3 PLACES	±
▽ = 0	2 PLACES	±
▽ = 0	1 PLACE	±
▽ = 0	0 PLACES	±
▽ = 0	ANGULAR TOL	± 2.0 °
▽ = 0	DRAFT WHERE APPLICABLE MUST REMAIN WITHIN DIMENSIONS	
CURRENT REV DESC:		
EC NO: 616762		
DRWN: YCHENG		2019/05/02
CHK'D: CWEI02		2019/05/08
APPR: CWEI02		2019/05/08
INITIAL REVISION:		
DRWN: JLEE		2007/07/23
APPR: JWIENER		2007/07/23
THIRD ANGLE PROJECTION		
DRAWING		SERIES
C-SIZE		73415
MATERIAL NUMBER		CUSTOMER
SEE TABLE		
SHEET NUMBER		1 OF 1

molex

SSMCX JACK, 50 OHM
CABLE TYPE (.047, 1.3MM) SSMCX-JC

PRODUCT CUSTOMER DRAWING

DOCUMENT NUMBER	DOC TYPE	DOC PART	REVISION
SD-73415-476	PSD	001	C8

C8	2019/05/02	73415-4763 PACKING TYPO AND CORRECT TO 500 PCS EWR 13068A
REV.	DATE	DESCRIPTION

DOCUMENT STATUS	P1	RELEASE DATE	2019/05/08	11:01:54
-----------------	----	--------------	------------	----------