

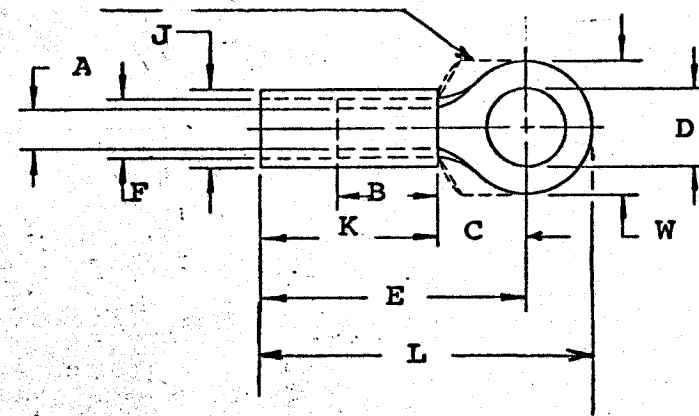
NYLARIMP

MATERIAL: Copper  
 PLATING: Electro-Tin (.0003 Min.)  
 INSULATION: Nylon, Color coded Blue  
 STUD SIZES: "D" ±.005

Optional Configuration

SD027

- 14 - .265"
- 56 - .328"
- 38 - .390"
- 76 - .453"
- 12 - .515"
- 58 - .656"
- 34 - .781"
- 78 - .906"



Part Number	"W"	"C" Min.	"E" Max.	"K" Max.	"L" Max.	"A" Min. Avg.	"F" (MWID)	Stock Thickness	"J" Max.	"B" Min.	Available Stud Size
*H-780-	.894 .870	.740	2.159	1.359	2.581	.430	.595	.075	.750	.660	14, 56, 38, 76 12
H-781-	.833 .807	.740	2.159	1.359	2.539	.430	.595	.075	.750	.660	14, 56, 38 38, 12, 58, 34
H-782-	1.270 1.244	1.276	2.691	1.359	3.300	.430	.595	.075	.750	.660	78

NOTE: (MWID) denotes maximum wire insulation diameter.



TITLE: CUSTOMER DRAWING  
 1/0 WIRE RANGE (H)  
 RING  
 TONGUE TERMINAL

DIMENSIONAL TOLERANCE UNLESS OTHERWISE SPECIFIED		
FRAC.	DEC.	ANG.
±	±	±

REVISION	SCALE: _____	DATE
	DRWN. BY: JTK	1-21-70
	CHKD. BY:	
	APPRD. BY:	
	DRAWING NO.:	