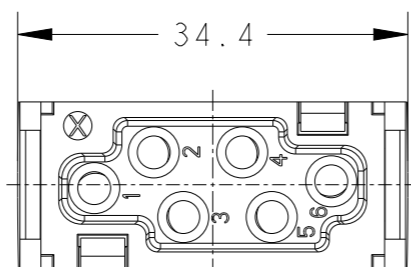
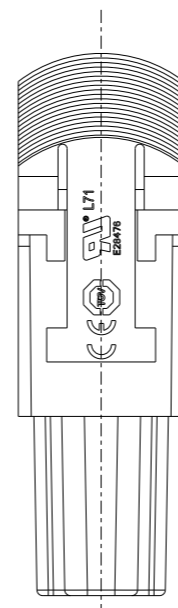
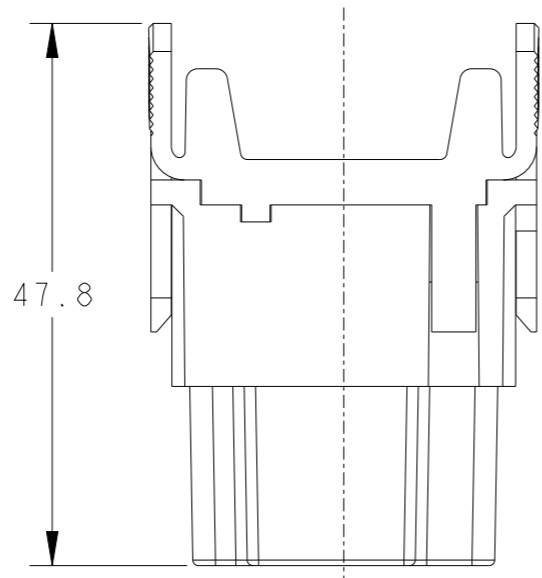
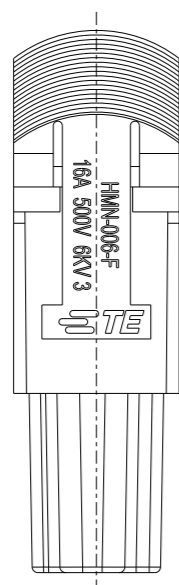
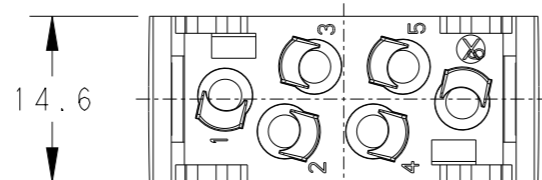
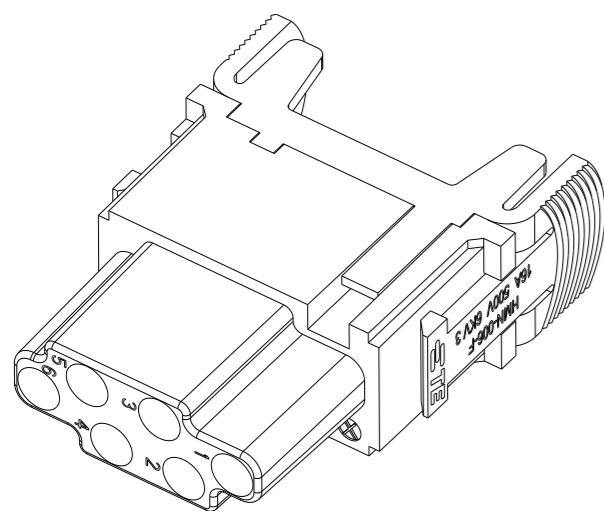


REVISIONS

P	LTR	DESCRIPTION	DATE	DWN	APVD
	A	INITIAL	15APR2015	DW	CW
	B	ECR-15-018270	09DEC2015	DW	CW
	B1	ECR-16-018198	28DEC2016	QY	CW
	C	ECR-21-111798	27SEP2021	WQR	CW



NOTES:

- TECHNICAL CHARACTERISTICS:  
 INSULATION MATERIAL: PC  
 RATED VOLTAGE: 500V  
 RATED CURRENT: 16A  
 INSULATION RESISTANCE:  $\geq 400M\Omega$   
 RATED IMPULSE VOLTAGE: 6KV  
 POLLUTION DEGREE: 3  
 FLAMMABILITY: UL94V-0  
 MATING CYCLES: 500 CYCLES  
 WIRE RANGE: 0.14~4 mm<sup>2</sup> (26~12 AWG)  
 CONTACT TYPE: CRIMP CONTACT
- CONTACT NEED TO BE ORDERED SEPARATELY.  
 (ORDER No. REFER TO DRAWING:T20300X20XX000)

注释:

- 技术参数:  
 绝缘材料: PC  
 额定电压: 500V  
 额定电流: 16A  
 绝缘电阻:  $\geq 400M\Omega$   
 额定脉冲电压: 6KV  
 污染等级: 3  
 阻燃等级: UL94V-0  
 插拔次数: 500次  
 接线范围: 0.14~4 mm<sup>2</sup> (26~12 AWG)  
 接线类型: 冷压接
- 端子需要单独订购.  
 (订货号参考图面: T20300X20XX000)

TYPE-1:T2111062201-000 TE LOGO  
 类型-1:T2111062201-000 TE LOGO

THIS DRAWING IS A CONTROLLED DOCUMENT.

DIMENSIONS:	TOLERANCES UNLESS OTHERWISE SPECIFIED:
mm	
	0 PLC ±-
	1 PLC ±-
	2 PLC ±-
	3 PLC ±-
	4 PLC ±-
	ANGLES ±-
MATERIAL	FINISH
-	-
-	-

DWN	15APR2015
David Wang	
CHK	15APR2015
Chris Wang	
APVD	15APR2015
Xiang Xu	
PRODUCT SPEC	108-137120
APPLICATION SPEC	114-137120
WEIGHT	-
Customer Drawing	

		TE Connectivity	
		NAME HMN-006-F	
SIZE	CAGE CODE	DRAWING NO	RESTRICTED TO
A3	00779	©-T2111062201000	-
SCALE 3:2		SHEET 1 OF 2	REV C

4

3

2

1

THIS DRAWING IS UNPUBLISHED.

RELEASED FOR PUBLICATION

20

REVISIONS

© COPYRIGHT 20 BY -

ALL RIGHTS RESERVED.

P	LTR	DESCRIPTION	DATE	DWN	APVD
	-	SEE SHEET 1	-	-	-

NOTES:

SEE SHEET 1


注释:

见页 1

TYPE-2: T2111062201-001 NO LOGO  
 类型-2: T2111062201-001 无LOGO

ALL DIMENSIONS ARE SAME AS TYPE 1,  
 EXCEPT THOSE DEFINED IN THIS TYPE.  
 除了在本类型中定义的尺寸外, 其它尺寸同类型 1

T2111062201-001	HMN-006-F	HMN-006 FEMALE MODULE INSERT, NO LOGO HMN-006 模块母插, 无LOGO	TYPE-2 类型-2
T2111062201-000	HMN-006-F	HMN-006 FEMALE MODULE INSERT HMN-006 模块母插	TYPE-1 类型-1
PART NUMBER 料号	PART DESCRIPTION 描述		TYPE 类型

THIS DRAWING IS A CONTROLLED DOCUMENT.		DWN David Wang 15APR2015	 TE Connectivity				
DIMENSIONS: mm		CHK Chris Wang 15APR2015			NAME HMN-006-F		
TOLERANCES UNLESS OTHERWISE SPECIFIED:		APVD Xiang Xu 15APR2015					
0 PLC ±- 1 PLC ±- 2 PLC ±- 3 PLC ±- 4 PLC ±- ANGLES ±-		PRODUCT SPEC 108-137120	SIZE A3	CAGE CODE 00779	DRAWING NO T2111062201000	RESTRICTED TO -	
MATERIAL -		FINISH -	WEIGHT -	SCALE 3:2		SHEET 2 OF 2	REV C
		Customer Drawing					

1470-19 (3/13)