

Features and Benefits

- Four grades of magnetic materials
- Cost effective design
- High resistance to demagnetization
- Operation from -40°C to 125°C
- Tough environmental endurance
- Very resistant to chipping



Molded Target Magnet

Physical Properties of Magnetic Material

Table 1.1

Characteristic	Value	Units
Tensile Strength	6500	PSI
Flexural Strength	9750	PSI
Flexural Modulus	1.3 X 10 ⁶	PSI
Continuous Service Temperature	100	°C

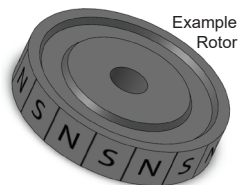
Magnetic Properties

Table 1.2

Characteristic	Magnalox 300	Neobond 12M	Neobond 30M	Neobond 32P	Units
Remanence (B _r)	1370	2500	4000	4300	Gauss
Coercive Force (H _c)	1180	2400	3250	2500	MGOe
Energy Product (BH _{MAX})	0.40	1.3	3.1	3.2	Oersted
Intrinsic Coercive Force (H _{ci})	2300	7500	7000	6900	Oersted
Reversible Temperature Coefficient	-0.2	-0.35	-0.4	-0.4	/°C
Specific Gravity	3.5	4.0	4.7	4.45	---

Pole Counts

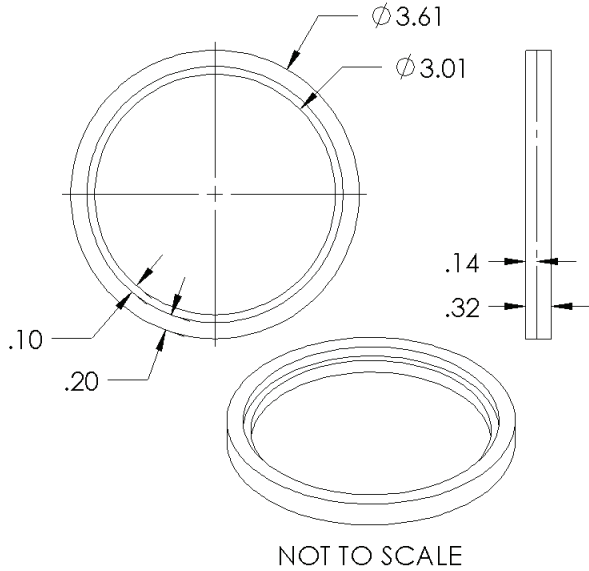
Alternating north and south magnetic poles are symmetrically located on the outer diameter for radial sensing.



Note: (N)orth/(S)outh markings are for illustration and do not appear on the actual product.

Available Pole Counts	32, 36, 50, 64, 120
-----------------------	---------------------

Target Rotor Physical Outline - Molded (Mounting Style A)



This rotor is designed to be mounted on a customer-supplied hub. Phoenix America hubs are available. See G58B and G58H Series Magnetic Rings.

Part Number Description

G58	-A-	3006	-25-	R36
Series G58	Design Style A Molded	Bore Size 3006 3.006 in	Magnet Material 25 Magnalox 300 50 Neobond 12M 75 Neobond 30M 85 Neobond 32P	Pole Count R32 32 Poles R36 36 Poles R50 50 Poles R64 64 Poles R120 120 Poles

Example: G58-A-3006-25-R36