



Part Number: D3I0710N

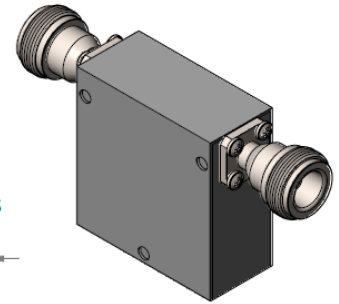
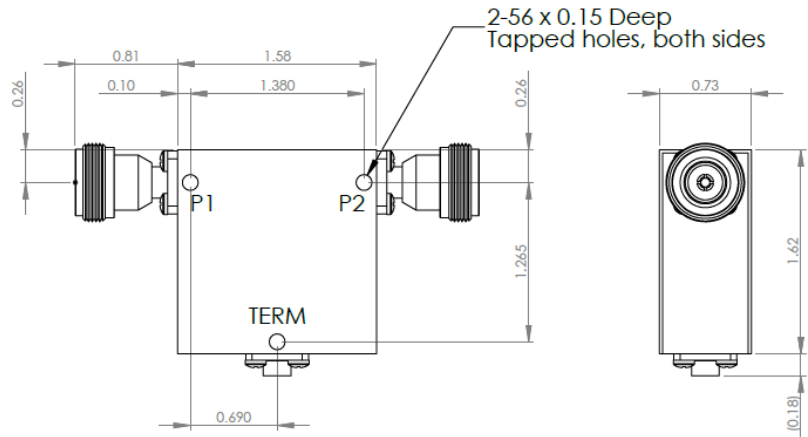
Electrical Specifications

Frequency Range (GHz):	0.698 – 1.000
Isolation (dB):	16 MIN
Insertion Loss (dB):	0.6 MAX
VSWR:	1.4:1 MIN
Forward Power (W):	300 AVG 750 PK
Reflective Power (W):	10 AVG

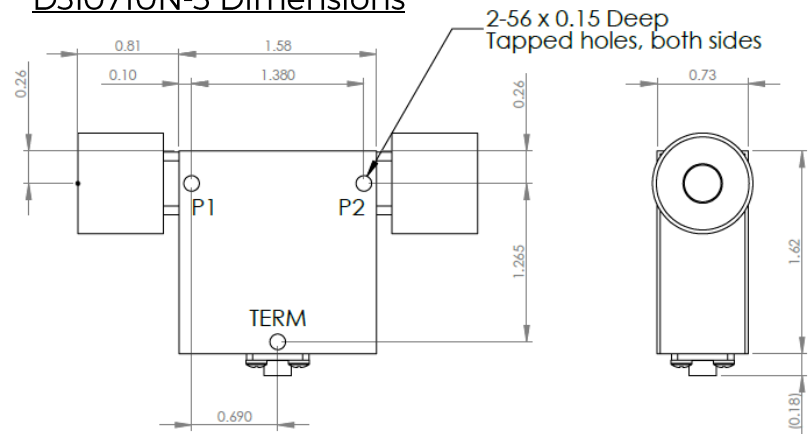
Mechanical/Environmental Specifications

Connector Type:	Type-N
Connector Body:	Nickel plated brass
Connector Pin:	Gold plated copper
Load Body:	Brass
Magnetic Shunt:	Nickel plated CRS
Operational Temp:	-20°C to +65°C
Weight (oz)	5.5 MAX

D3I0710N Dimensions



D3I0710N-3 Dimensions



Dimensions are in inches
Tolerance

XX	±0.03
XXX	±0.010

Type of Device	PN Suffix	Connector Configuration Input / Output	PN Example
Single and Dual Junction Isolator, 2-Port Device Input / Output	N/A	Female / Female	D3I0710N
	-1	Male / Female	D3I0710N-1
	-2	Female / Male	D3I0710N-2
	-3	Male / Male	D3I0710N-3



MEASURED DATA

Part Number: D310710N, +25°C

