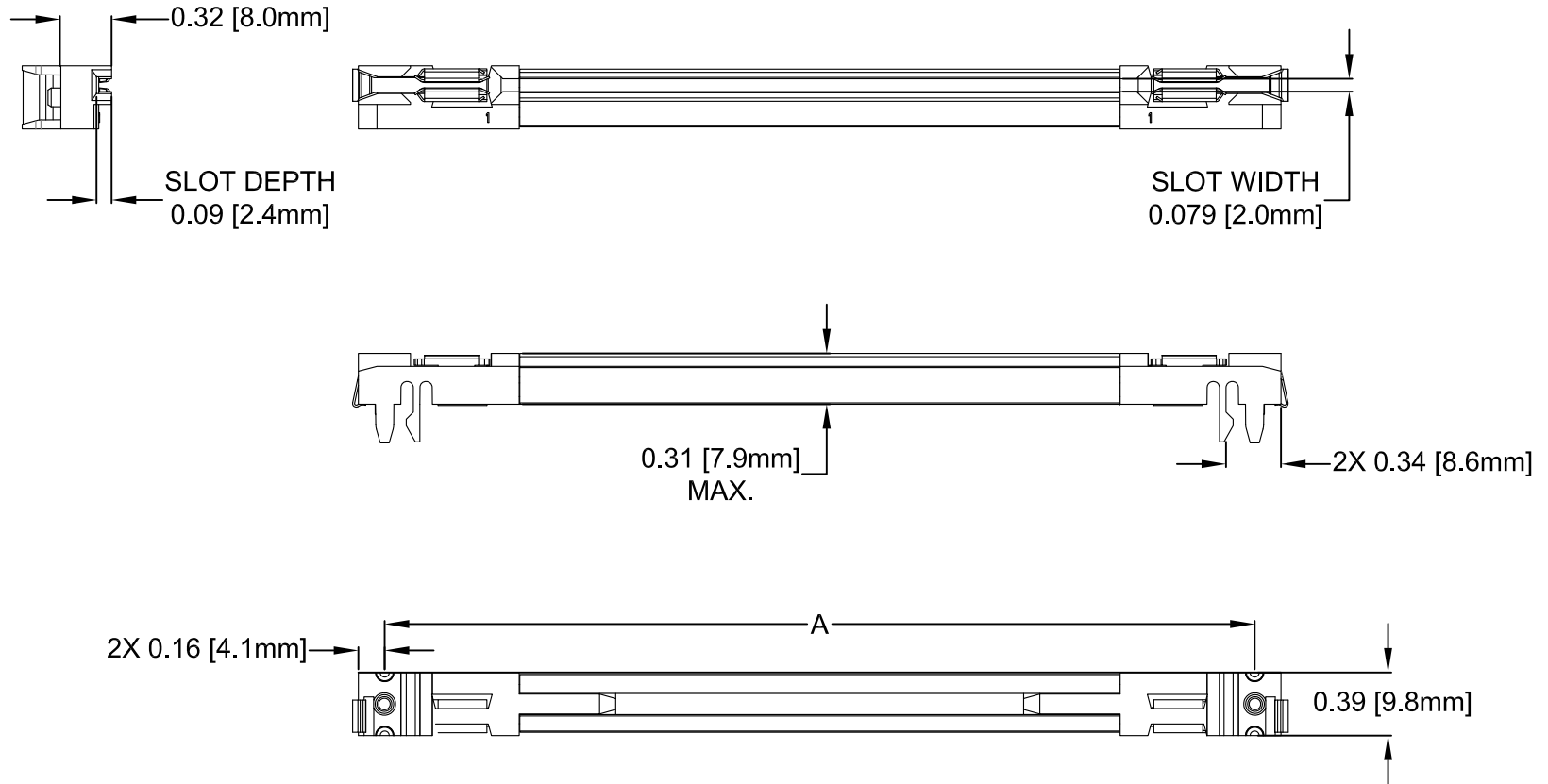

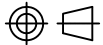


ITEM	Q'TY	PART NUMBER	PART DESCRIPTION
1	1	CPCI-VXXX	VME Card Guide, SEE SHEET 2 TABLE 1
2	2	CPCI-ESD3	CPCI ESD Clips, PCB Grounding, SEE SHEET 2

REV.	DESCRIPTION	DATE	APPROVED
B	Engineering Release.	11/21/14	J. C.



- 2. MATERIAL: POLYCARBONATE, 20% GLASS FILLED & ALUMINUM BODY
- 1. GENERAL SPECIFICATIONS: BIVAR MOLDED COMPONENT SPECIFICATION BV00-E101.

STANDARD TOLERANCE (UNLESS OTHERWISE SPECIFIED)		 4 THOMAS, IRVINE, CA, 92618 TEL: (949) 951-8808 FAX: (949) 951-3974	
DECIMALS	ANGULAR		
.X ± .1	X° ± 1°		TITLE: VME METAL GUIDE WITH ESD CLIP
.XX ± .01			PART NO: CPCI-VXXX-ESD3
.XXX ± .005			REVISION: B
DESIGNED: Alex Wright	DATE: 07/03/14	CAGE CODE : 32559	SHEET # 1 OF 2
CHECKED: Brian Oliver	DATE: 07/03/14	CAD GENERATED DOCUMENT, DO NOT MEASURE DRAWING.	

REV.	DESCRIPTION	DATE	APPROVED
	SEE SHEET #1		

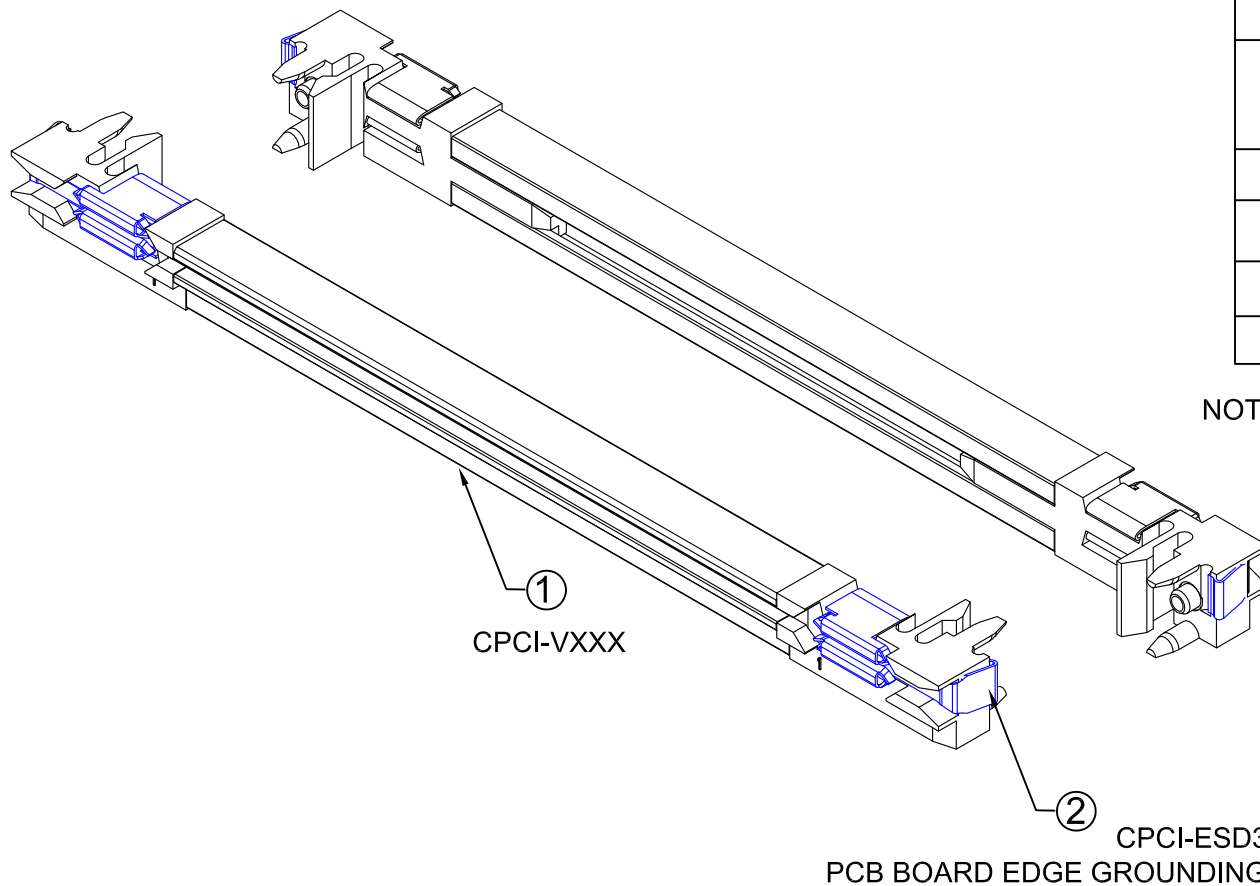

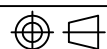


TABLE 1 ASSEMBLY CONFIGURATIONS	
ASSEMBLY PART NUMBERS	A in [mm]
CPCI-V160-ESD3	5.32 [135.2]
CPCI-V220-ESD3	7.69 [195.2]
CPCI-V280-ESD3	10.04 [255.0]
CPCI-V340-ESD3	12.43 [315.6]

NOTE: ESD CLIPS COME PRE-ASSEMBLED

STANDARD TOLERANCE (UNLESS OTHERWISE SPECIFIED)		 BIVAR [®] 4 THOMAS, IRVINE, CA. 92618 TEL: (949) 951-8808 FAX: (949) 951-3974				
DECIMALS	ANGULAR					
.X ± .1	X° ± 1°		TITLE: VME CARD GUIDE WITH ESD CLIPS			
.XX ± .01			DESIGNED: Alex Wright	DATE: 07/03/14	PART NO: CPCI-VXXX-ESD3	REVISION: B
.XXX ± .005			CHECKED: Brian Oliver	DATE: 07/03/14	CAGE CODE : 32559	SHEET # 2 OF 2
				CAD GENERATED DOCUMENT, DO NOT MEASURE DRAWING.		