

**MODEL:** CBL-UC-UC-1WT | **DESCRIPTION:** USB CABLE**FEATURES**

- USB 3.1 Gen 1
- type C male to type C male
- 1 meter
- PVC jacket

**SPECIFICATIONS**

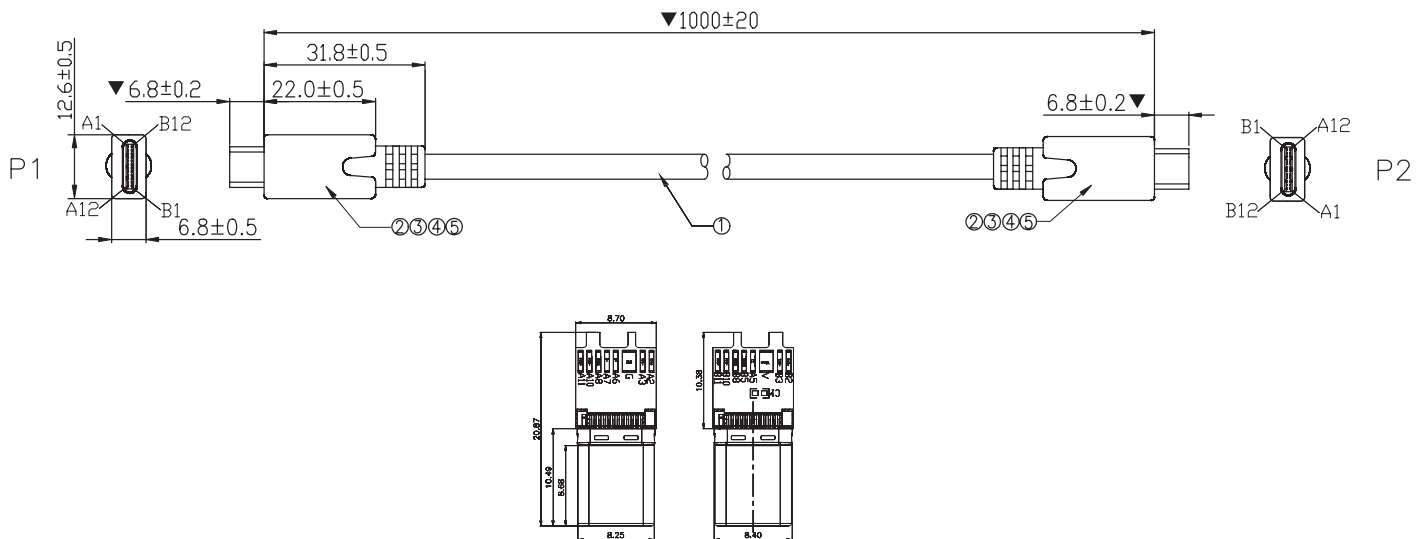
parameter	conditions/description	min	typ	max	units
rated voltage			20		Vdc
rated current				3	A
conductor resistance				5	$\Omega$
insulation resistance	at 300 Vdc / 10 ms	10			M $\Omega$
operating temperature		-20		80	$^{\circ}$ C
storage temperature		-25		80	$^{\circ}$ C
flammability rating	UL94V-0				
RoHS	yes				

## MECHANICAL DRAWING

units: mm  
 tolerance:  
 X.X ±0.2 mm  
 X.XX ±0.15 mm  
 unless otherwise noted

critical dimension: ▼

ITEM	DESCRIPTION	MATERIAL	PLATING/COLOR
1	cable	USB 3.1 Gen 1 OD: 4.2 mm, PVC	white
2	wire holder	OD: 0.8 mm	
3	connector 1/2	USB 3.1 Gen 1 Type C	gold
4	inner mold	LD-PE	white
5	over mold	PVC	white



WIRING DIAGRAM

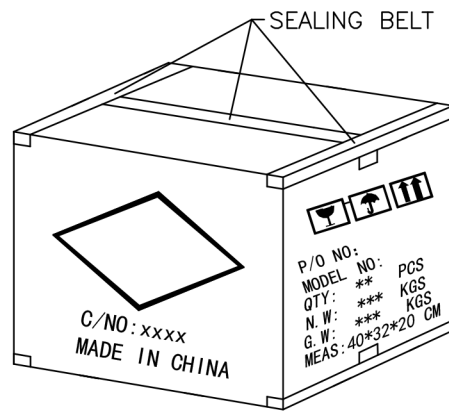
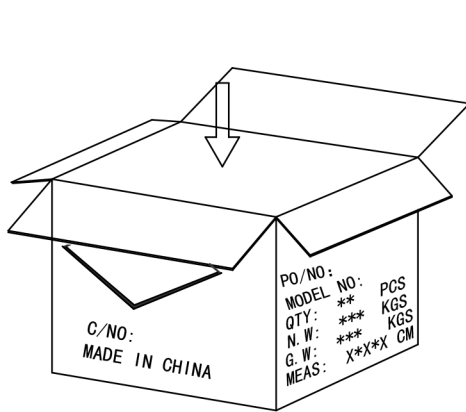
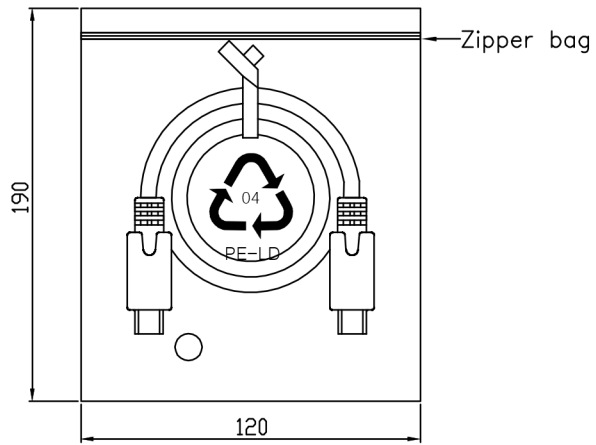
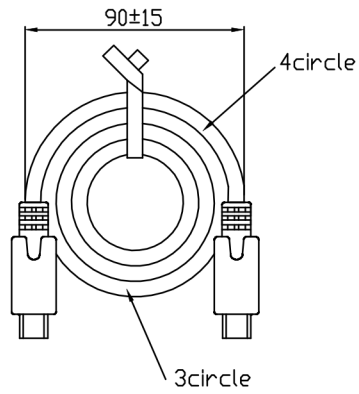
P1	Signal Name	P2	Signal Name
A1,B1,A12,B12	GND	A1,B1,A12,B12	GND
A4,B4,A9,B9	VBUS	A4,B4,A9,B9	VBUS
A5	CC	A5	CC
A6	Dp1	A6	Dp1
A7	Dn1	A7	Dn1
A2	SSTXp1	B11	SSRXp1
A3	SSTXn1	B10	SSRXn1
B11	SSRXp1	A2	SSTXp1
B10	SSRXn1	A3	SSTXn1
SHELL	BRAID	SHELL	

## PACKAGING

units: mm

Carton Size: 460 x 300 x 300 mm

Carton QTY: 200 pcs



## REVISION HISTORY

---

rev.	description	date
1.0	initial release	12/20/2018
1.01	brand update	02/18/2020

The revision history provided is for informational purposes only and is believed to be accurate.

---

# CUI DEVICES

CUI Devices offers a one (1) year limited warranty. Complete warranty information is listed on our website.

CUI Devices reserves the right to make changes to the product at any time without notice. Information provided by CUI Devices is believed to be accurate and reliable. However, no responsibility is assumed by CUI Devices for its use, nor for any infringements of patents or other rights of third parties which may result from its use.

CUI Devices products are not authorized or warranted for use as critical components in equipment that requires an extremely high level of reliability. A critical component is any component of a life support device or system whose failure to perform can be reasonably expected to cause the failure of the life support device or system, or to affect its safety or effectiveness.