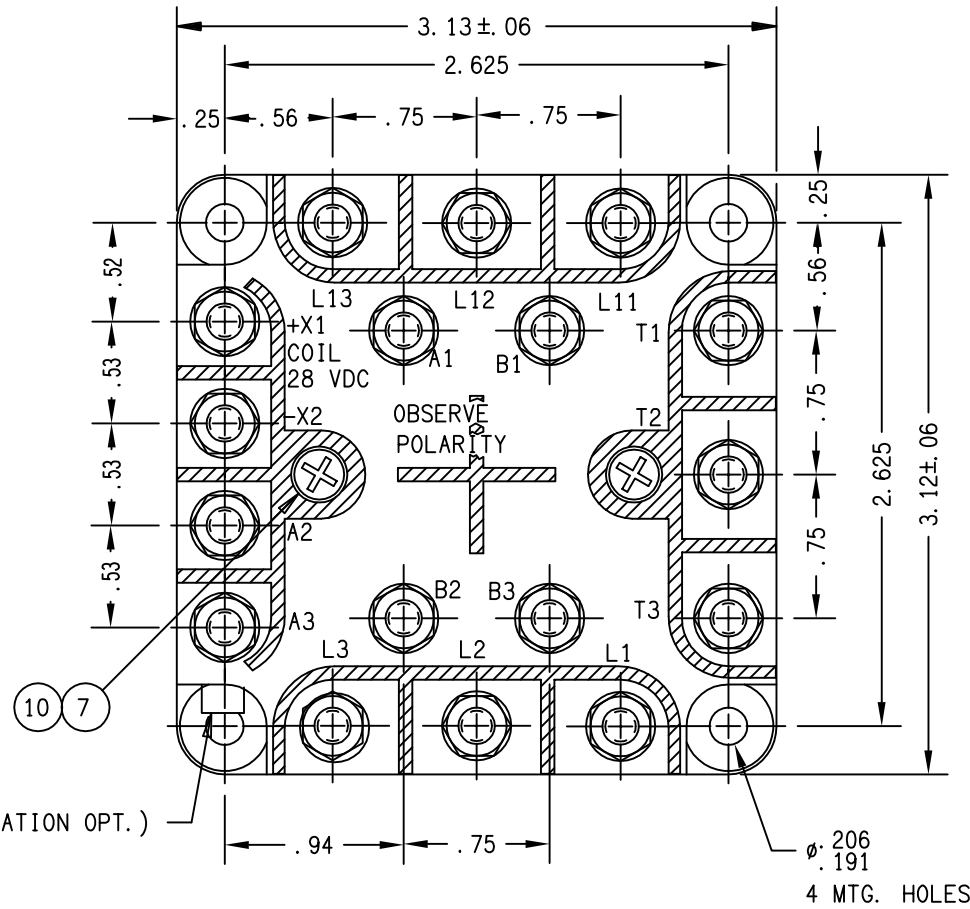
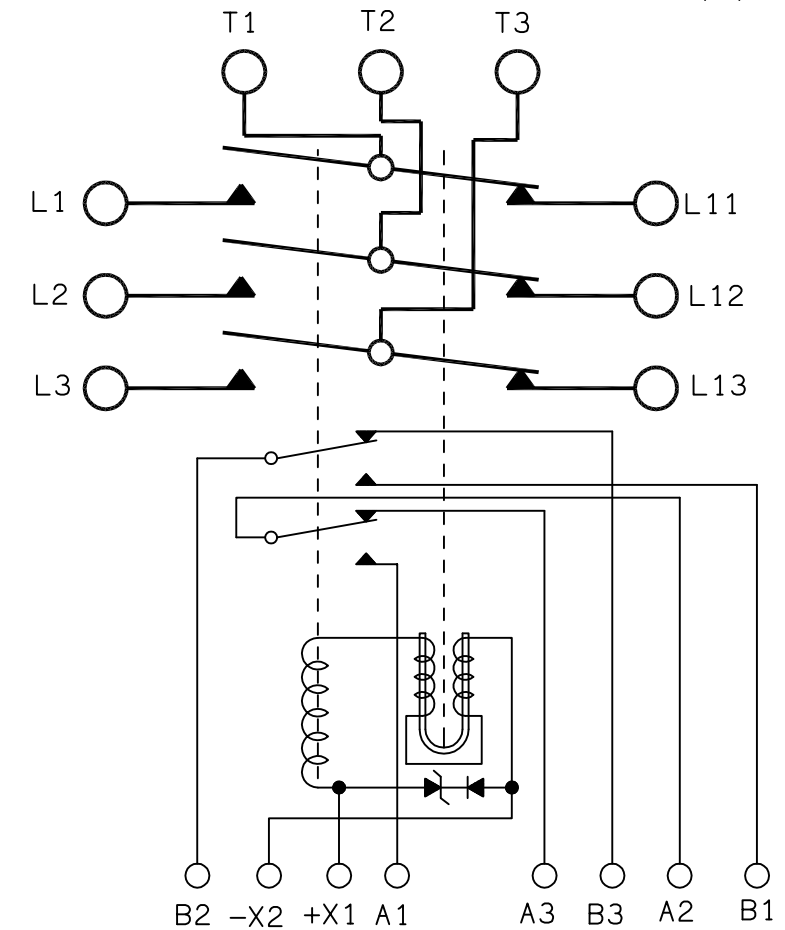


| REV. | | DESCRIPTION | RELEASED DATE | APPROVED |
|------|-----------|---------------------------------|---------------|----------|
| E | 22814 | ITEM 3 WAS -001 | 2-18-93 | WS |
| F | 23843 | ADDED ITEM 13 | 8/9/93 | WS |
| K | 06-00057 | CHANGED ITEM 7 VIEW TO PHILLIPS | 05/12/19 | CB |
| L | 11-024834 | ITEM 6 WAS -054 | 11/12/01 | CB |

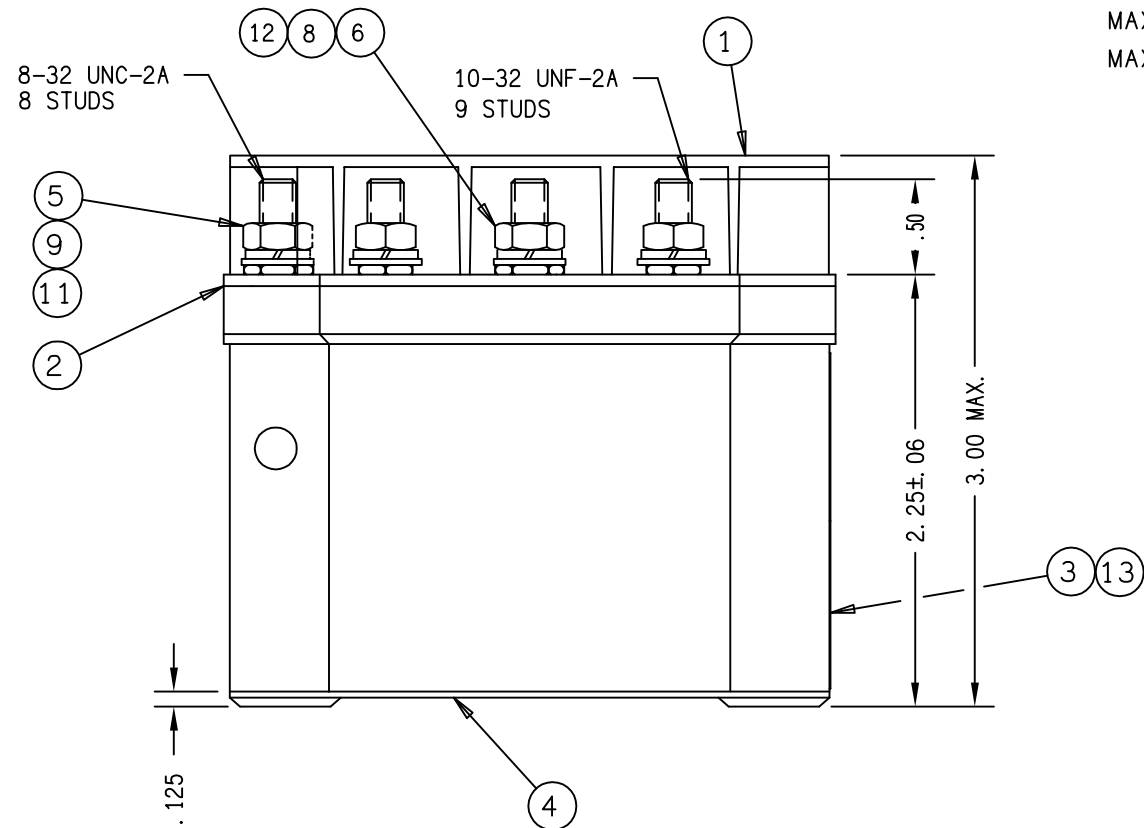


NOMINAL OPERATING VOLTAGE
 COIL
 CONTACTS
 PICKUP VOLTAGE
 DROPOUT VOLTAGE
 CONTACT ARRANGEMENT
 CONTACT RATING
 RESISTIVE
 INDUCTIVE
 LAMP
 MOTOR
 CAPACITIVE
 AUX. CONTACT RATING AT 28 VDC & 115 VAC. 400 HZ
 RESISTIVE
 INDUCTIVE
 MOTOR
 MAIN & AUX. CONTACT OPERATING TIMES
 CLOSING
 OPENING
 TRANSFER
 COIL CURRENT AT 29 V (EST) MAX & 25° C
 INRUSH
 MIN. OPERATING CYCLES ELECTRICAL
 MAX AMBIENT TEMPERATURE
 MAX WEIGHT

28 VDC
 115/200 VAC 400 HZ
 18 V MAX AT 85° C
 7.0 TO 1.5 VDC
 TPDT NC
 60 AMP AC
 35 AMP AC
 10 AMP AC
 15 AMP AC
 60 AMP AC
 5 AMP
 3 AMP
 3 AMP
 50 MS MAX AT 18 VDC
 35 MS MAX AT 28 VDC
 10 MS AT 30 VDC
 .5 AMP MAX
 5 AMP MAX
 50,000
 -40° C TO +71° C
 1 LB 8 OZ



VENT (LOCATION OPT.)



NOTES:

1. TERMINAL COVER TO BE STAMPED "DANGER HIGH VOLTAGE".
2. COIL TRANSIENT VOLTAGE LIMITED TO ±42 VOLTS REFERENCED TO ZERO VOLTS.

| FIND NO | QTY REQD | PART OR IDENTIFYING NO | NOMENCLATURE OR DESCRIPTION | FSCM NO | DRAWING OR SPECIFICATION | MATERIAL OR NOTE |
|---------|----------|------------------------|--|---------|--------------------------|------------------|
| 13 | 1 | 39529-001 | OVERLAY | | | |
| 12 | 9 | 51810-054 | WASHER - LOCK NO. 10 SPLIT | | MS35338-100 | BRONZE |
| 11 | 8 | 51808-064 | WASHER - LOCK NO. 8 X .307 MAX. X .047 SPLIT | | MS35338-99 | BRONZE |
| 10 | 2 | 51806-034 | WASHER - LOCK NO. 6 INT. | | MS35333-68 | BRONZE |
| 9 | 8 | 51712-104 | WASHER - 3/8 X 11/64 X .032 | | AN961-8 | BRASS |
| 8 | 9 | 51702-844 | WASHER - 3/8 X 13/64 X .032 | | AN961-10 | BRASS |
| 7 | 2 | 51206-644 | SCREW - 6-32 X 3/4 RD. HD. | | MS35214-29 | BRASS |
| 6 | 9 | 50410-174 | NUT - 10-32 X 5/16 X 9/64 HEX. | | | BRASS |
| 5 | 8 | 50408-034 | NUT - 8-32 X 5/16 X 3/32 HEX. | | | BRASS |
| 4 | 1 | 21432-040 | CONTACTOR ASSEMBLY - PRIMARY | | | |
| 3 | 1 | 16043-035 | PLATE - NAME | | | |
| 2 | 1 | 14898-001 | PLATE - BASE COVER | | | |
| 1 | 1 | 12531-003 | SHIELD - TERMINAL | | | |

UNLESS OTHERWISE SPECIFIED DIMENSIONS ARE IN INCHES TOLERANCES ON

| | | |
|-----------|-----------|--------|
| 2 PL DEC. | 3 PL DEC. | ANGLES |
| ±.03 | ±.010 | ± 1° |

DR BY LCB 93/09/02
 CHK BY WS 93/09/17
 ENGR KK 93/09/23
 MFG JF 93/09/22

REF: SIKORSKY 70550-22901-101

SIZE C CODE IDENT 74063

SCALE NONE SHEET

TE
 Hartman Division 175 N. DIAMOND STREET MANSFIELD, OHIO 44902

CONTACTOR - T. P. D. T. N. C. 093

DWG NO. B-138XEH

REF TE P/N 1616028-3