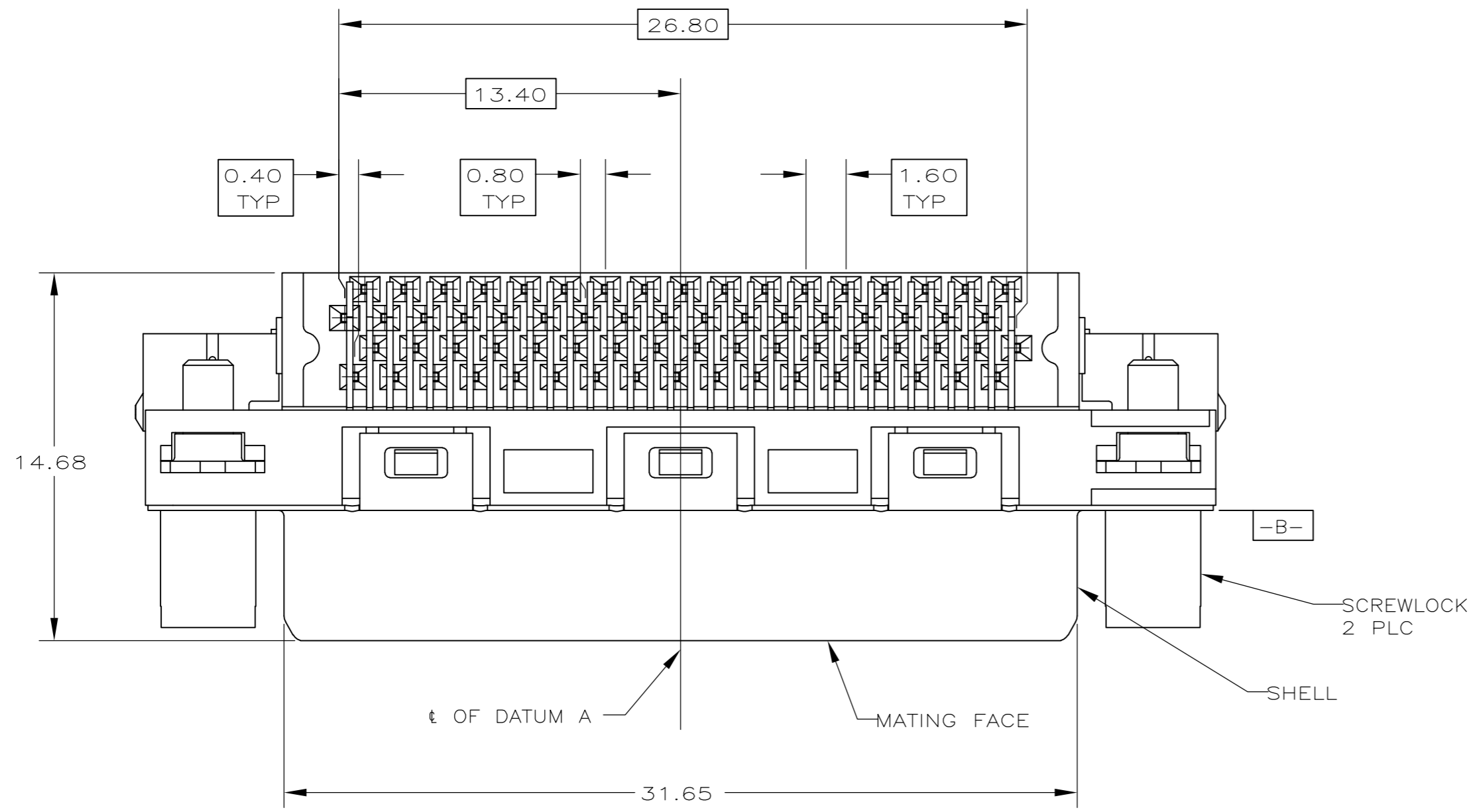
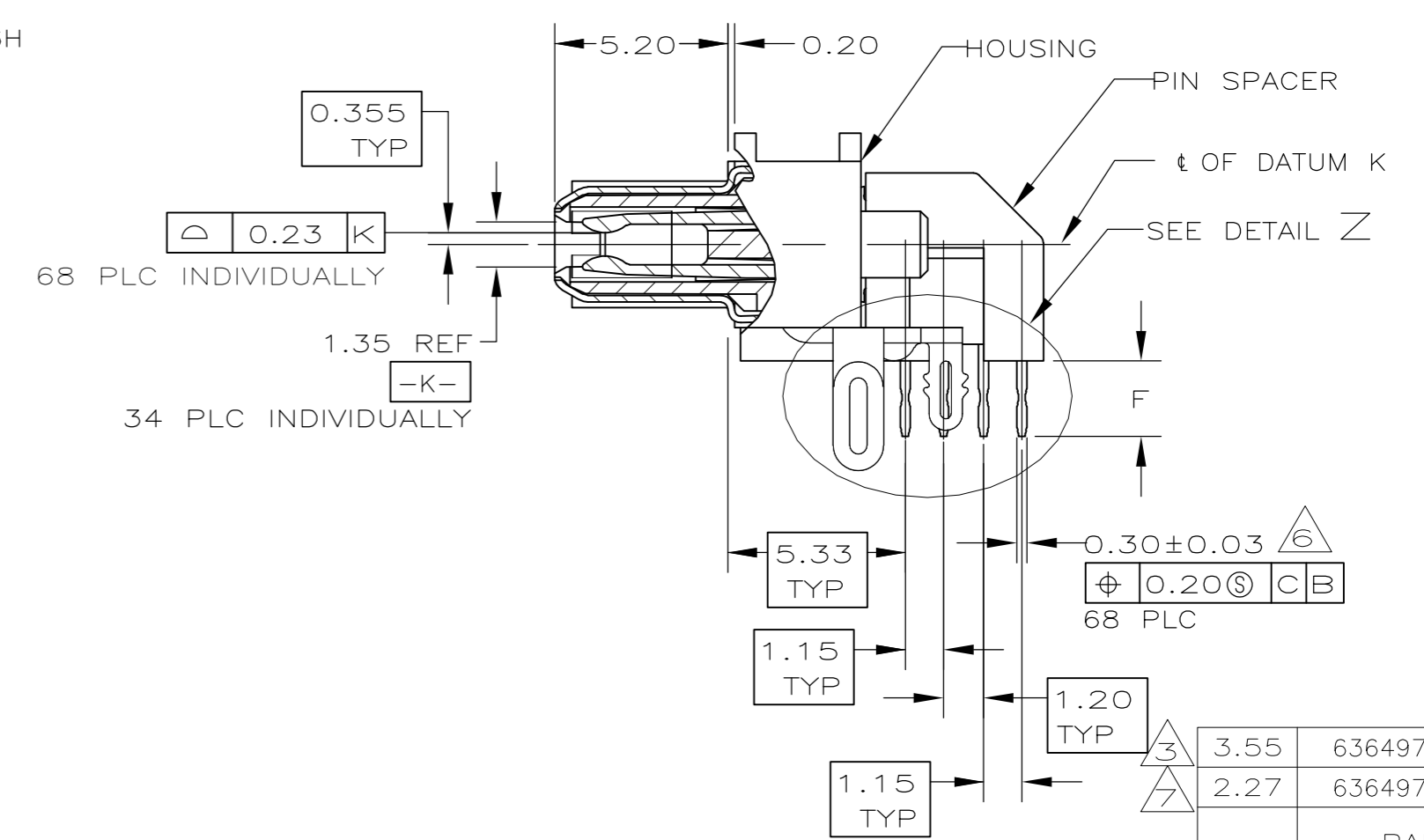
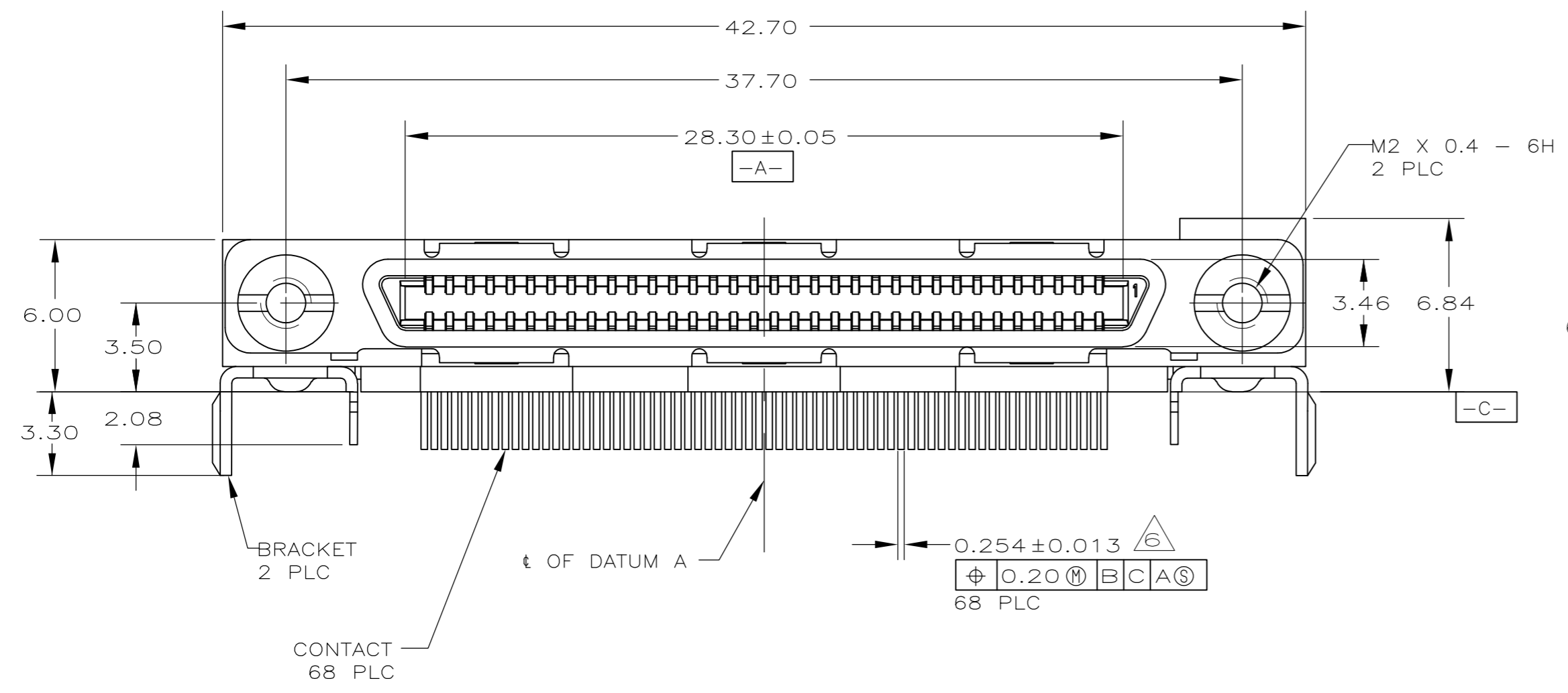


THIS DRAWING IS UNPUBLISHED. RELEASED FOR PUBLICATION
 © COPYRIGHT - By - ALL RIGHTS RESERVED.

LOC		DIST		REVISIONS			
P	LTR	DESCRIPTION		DATE	DWN	APVD	
GP	00	B		REVISED PER ECR-11-010380	17MAY11	EDB	EDB



- 1 HOUSING & PIN SPACER: THERMOPLASTIC, BLACK, UL 94V-0 RATED.
SHELL: CARBON STEEL.
CONTACTS: PHOSPHOR BRONZE.
BRACKETS: STEEL.
SCREWLOCKS: STAINLESS STEEL.
- 2 SHELL: 5.08 μm MIN NICKEL OVER 6.35 μm MIN COPPER.
CONTACTS: 0.76 μm MIN GOLD ON MATING END, 3.75 μm MIN TIN ON SOLDER TAILS, BOTH OVER 1.27 μm MIN NICKEL ON ENTIRE CONTACT.
BRACKETS: TIN PLATED.
- 3 CONTACTS DESIGNED FOR USE ON 2.35±0.15 THICK PC BOARD WITH PLATED THRU MOUNTING HOLES.
- 4 RECEPTACLE ASSEMBLY DESIGNED FOR USE WITH 1.12±0.08 THICK PANEL.
- 5 DATUMS AND DIMENSIONS ESTABLISHED BY CUSTOMER.
- 6 POSITION TOLERANCE APPLIES AT CONTACT TIP ONLY.
- 7 CONTACTS DESIGNED FOR USE ON 1.60±0.15 THICK PC BOARD WITH PLATED THRU MOUNTING HOLES.
- 8 OBSOLETE

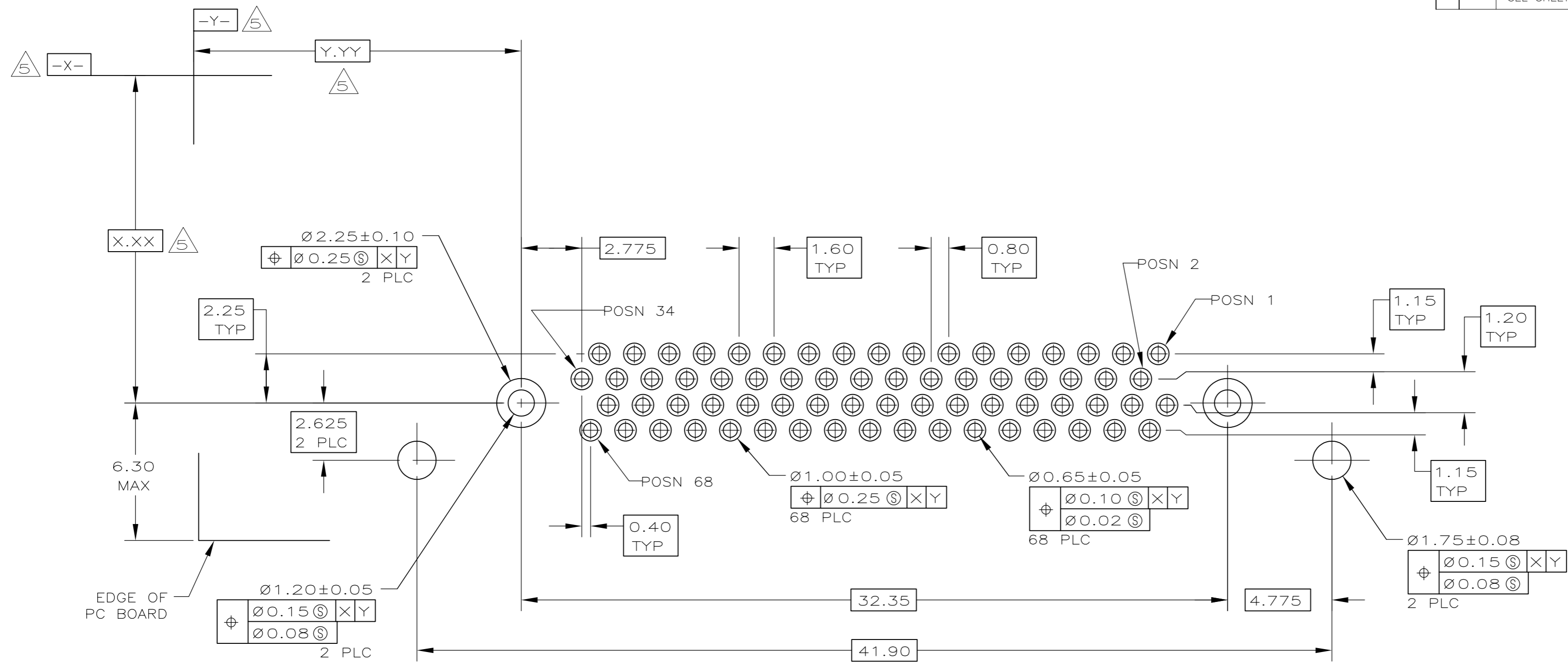


3.55	6364973-2	8
2.27	6364973-1	
F	PART NUMBER	

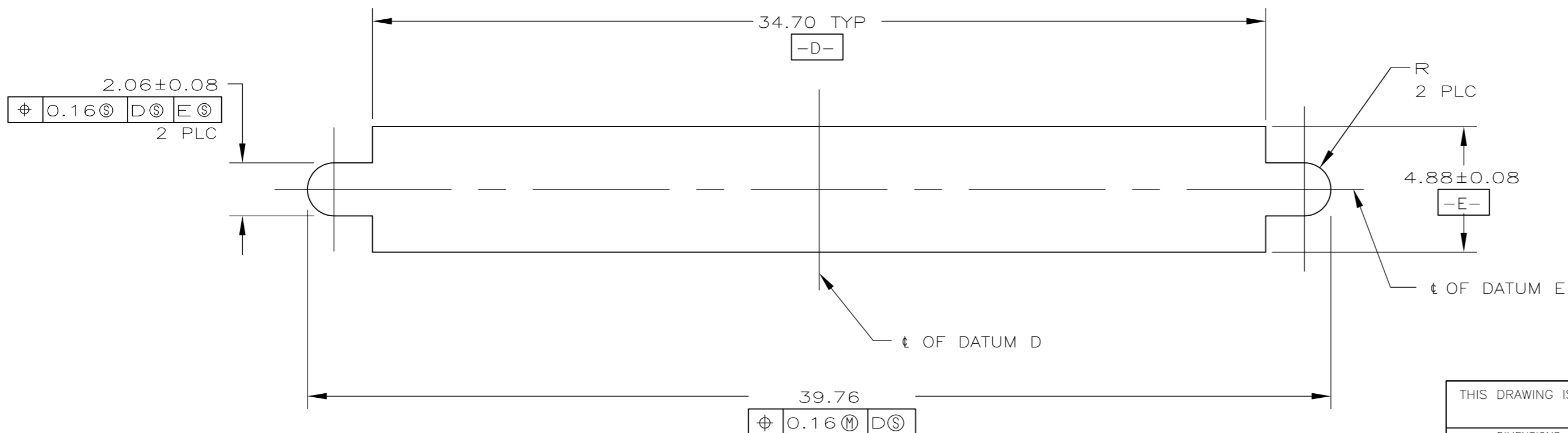
THIS DRAWING IS A CONTROLLED DOCUMENT.		DWN	J. ALCORTA - DOCK5	08-02-05	TE Connectivity			
DIMENSIONS: mm		CHK	S. SHUEY	08-02-05				
TOLERANCES UNLESS OTHERWISE SPECIFIED:		APVD	M WALMSLEY	08-02-05	RECEPTACLE ASSEMBLY, 68 POSITION, SHIELDED, RIGHT ANGLE, CHAMP 0.8mm			
0 PLC ± -		PRODUCT SPEC						
1 PLC ± -		APPLICATION SPEC			SIZE	CAGE CODE	DRAWING NO	RESTRICTED TO
2 PLC ± 0.13					A2	00779	C=6364973	-
3 PLC ± -					CUSTOMER DRAWING		SCALE	SHEET
4 PLC ± -							5:1	1 of 2
ANGLES ± 1°								REV
FINISH								B

THIS DRAWING IS UNPUBLISHED. RELEASED FOR PUBLICATION
 © COPYRIGHT - By - ALL RIGHTS RESERVED.

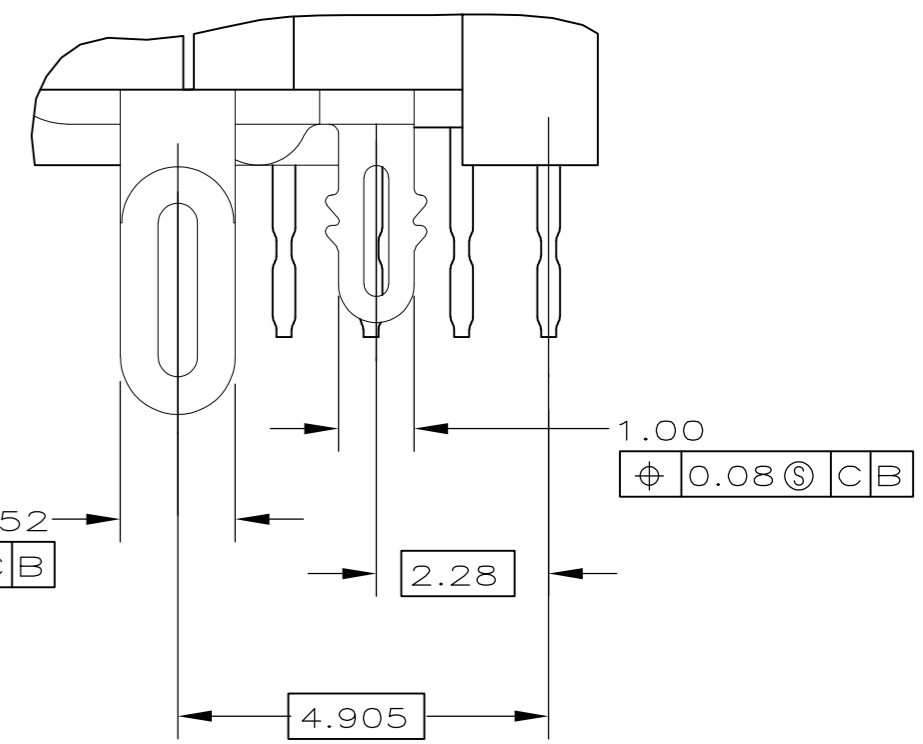
LOC	DIST	REVISIONS					
GP	00	P	LTR	DESCRIPTION	DATE	DWN	APVD
		-		SEE SHEET 1	-	-	-



PC BOARD MOUNTING DIMENSIONS



PANEL CUT-OUT DIMENSIONS



DETAIL Z SCALE 10:1

THIS DRAWING IS A CONTROLLED DOCUMENT.		DWN	J. ALCORTA - DOCK5	08-02-05	TE Connectivity			
DIMENSIONS: mm		CHK	S. SHUEY	08-02-05				
TOLERANCES UNLESS OTHERWISE SPECIFIED:		APVD	M. WALMSLEY	08-02-05	RECEPTACLE ASSEMBLY, 68 POSITION, SHIELDED, RIGHT ANGLE, CHAMP 0.8mm			
0 PLC ± -		PRODUCT SPEC						
1 PLC ± -		APPLICATION SPEC			SIZE	CAGE CODE	DRAWING NO	RESTRICTED TO
2 PLC ± 0.13					A2	00779	C=6364973	-
3 PLC ± -		WEIGHT	-		SCALE	SHEET	REV	
4 PLC ± -					5:1	2 of 2	B	
ANGLES ± 1°		CUSTOMER DRAWING						
FINISH								