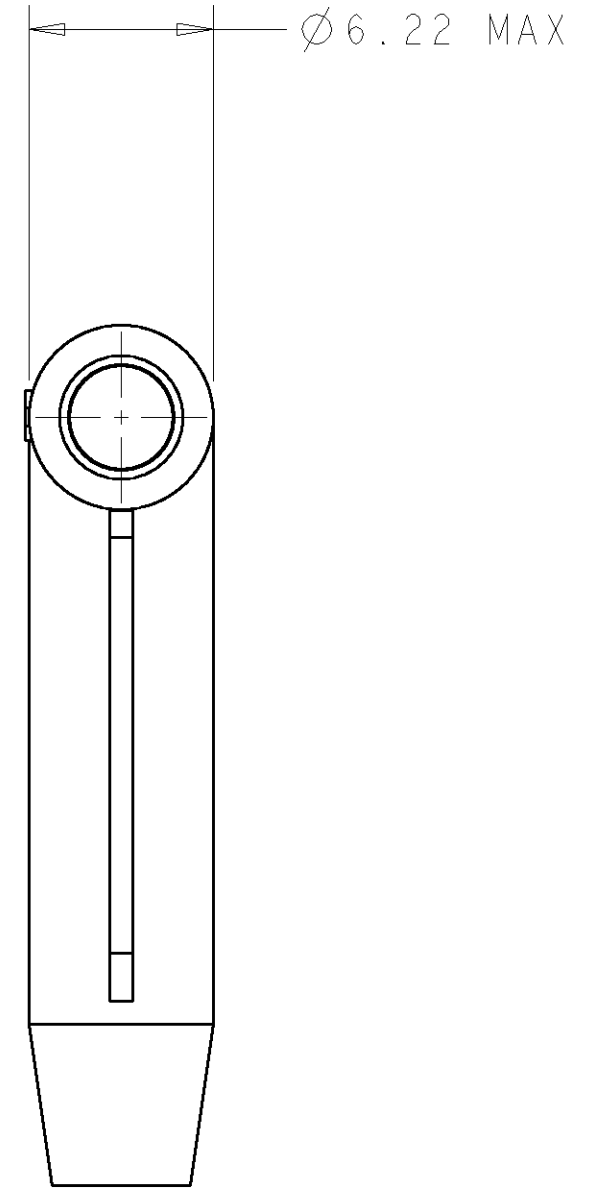
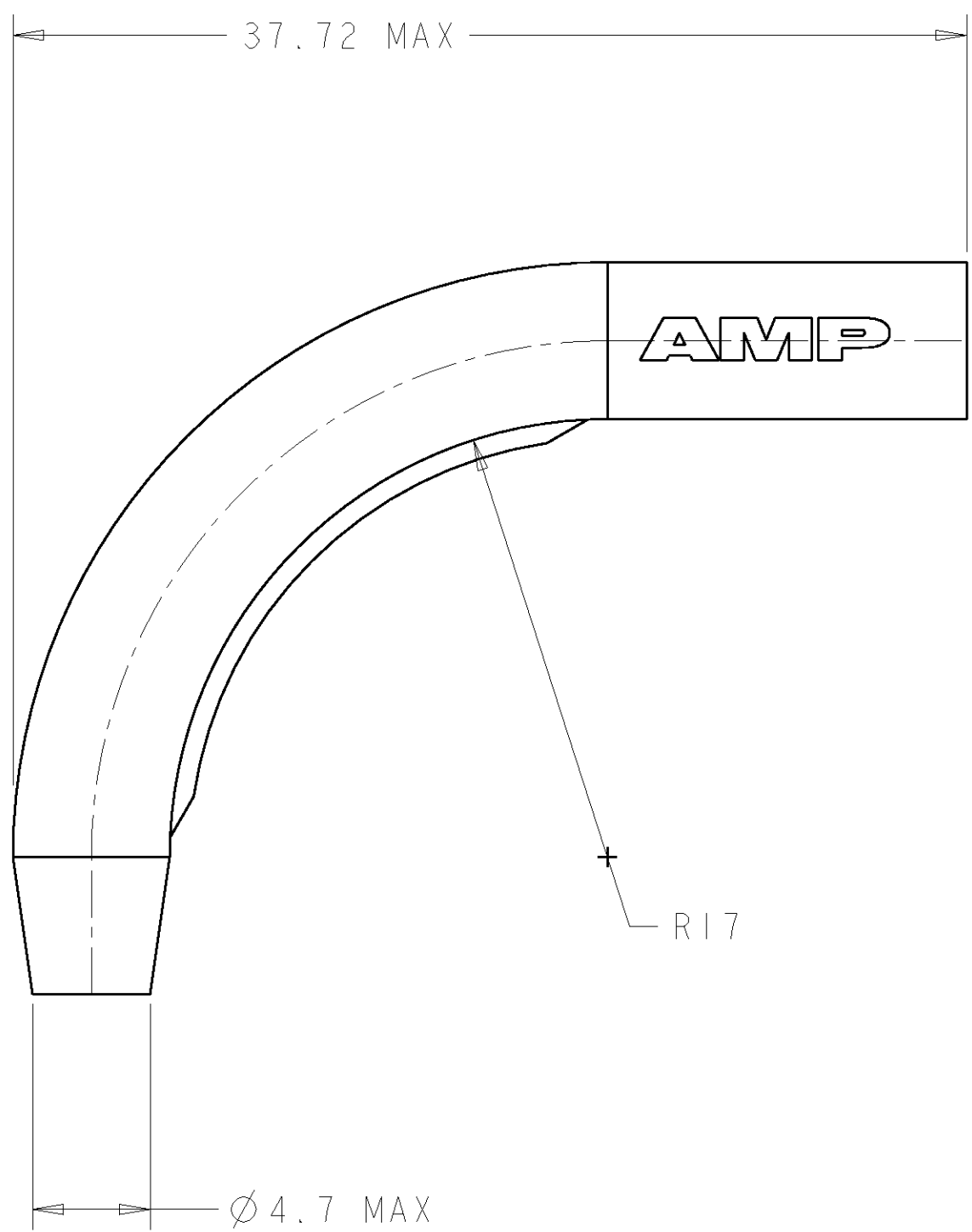


THIS DRAWING IS UNPUBLISHED. RELEASED FOR PUBLICATION 20
 © COPYRIGHT 20 BY TYCO ELECTRONICS CORPORATION. ALL RIGHTS RESERVED.

LOC	DIST	REVISIONS					
CE	00	P	LTR	DESCRIPTION	DATE	DWN	APVD
		B		REV PER 0A00-0196-05	10MAY2005	EJH	SB

⚠ MATERIAL:
 TPE, UL94 V-0 RATED AT QUALIFYING THICKNESS,
 SEE DASH NUMBER FOR COLOR.



RED	5502667-4
BEIGE	5502667-3
BLUE	5502667-2
BLACK	5502667-1
COLOR	PART NUMBER

<small>THIS DRAWING IS A CONTROLLED DOCUMENT FOR TYCO ELECTRONICS CORPORATION IT IS SUBJECT TO CHANGE AND THE CONTROLLING ENGINEERING ORGANIZATION SHOULD BE CONTACTED FOR THE LATEST REVISION.</small>		DWN E. HOPKINS 2FEB2005 CHR D. ERDMAN 2FEB2005 APVD S. BUCHTER 2FEB2005	tyco Tyco Electronics Electronics Harrisburg, PA 17105-3608
DIMENSIONS: mm	TOLERANCES UNLESS OTHERWISE SPECIFIED: 0 PLC ± 1 PLC ± 2 PLC ± 3 PLC ± 4 PLC ± ANGLES ± FINISH	PRODUCT SPEC - APPLICATION SPEC - WEIGHT -	NAME STRAIN RELIEF, RIGHT ANGLE, 2.5mm BAYONET, OPTIMATE - SIZE A2 CAGE CODE 00779 DRAWING NO C=5502667 RESTRICTED TO -
MATERIAL ⚠ -	CUSTOMER DRAWING	SCALE 4:1 SHEET 1 OF 1 REV B	