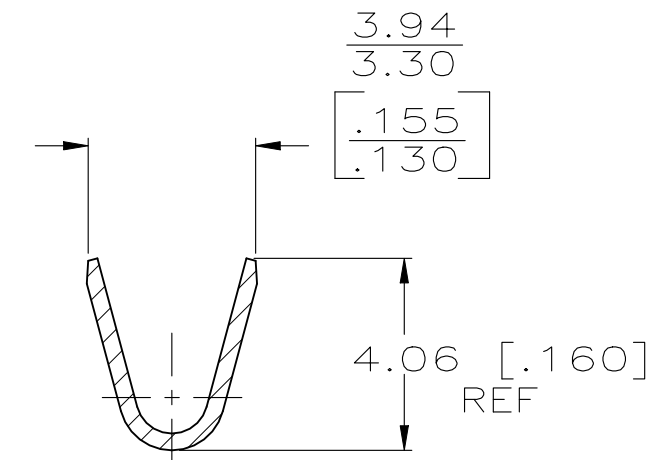
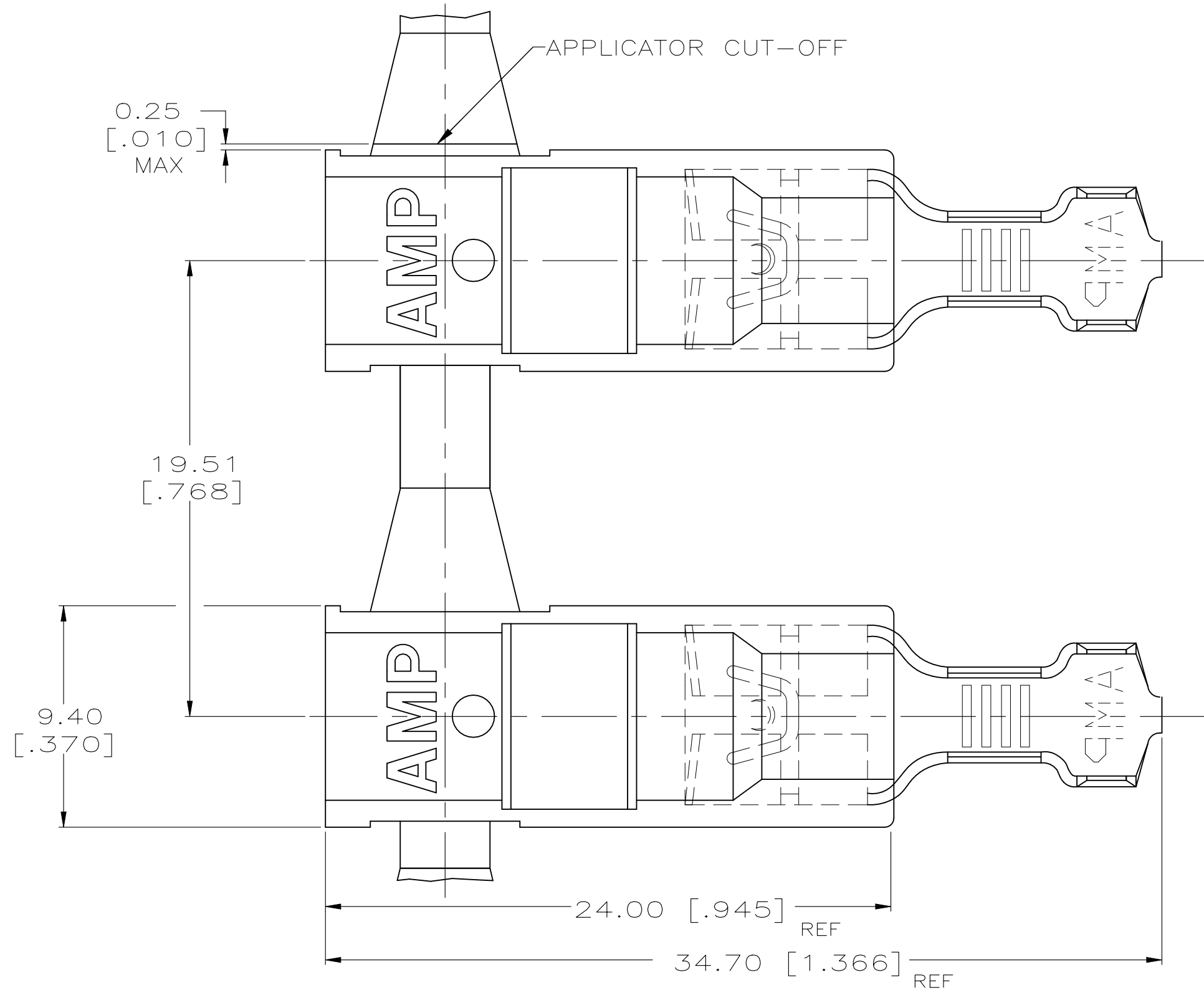
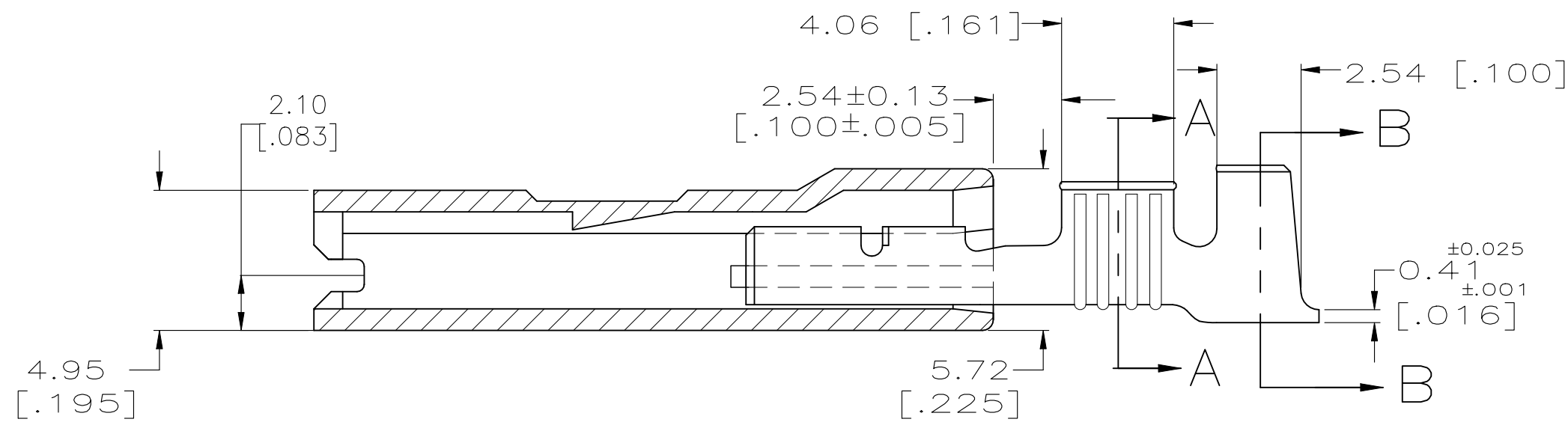


REVISIONS					
P	LTR	DESCRIPTION	DATE	DWN	APVD
C1		REVISED PER ECR-22-160893	15DEC2022	DB	BW

- 1 LOW-INSERTION FASTON TERMINALS, BASE P/N 63306, ARE USED IN THIS PRODUCT.
- 2 NOTE REMOVED
- 3 PRELIMINARY - NOT FOR PRODUCTION
- 4 GLOW WIRE APPROVED; CONTACT TE ENGINEERING FOR SPECIFICATION (ALL WALL THICKNESSES ARE BETWEEN 0.4-3.0[.015-.118])



SECTION A-A



SECTION B-B

STANDARD	TIN PLATE	2.79-4.32	0.8-2.0 mm <sup>2</sup> [18-14]	0.813 [.032]	521997-2
STANDARD	PLAIN	[.110-.170] DIA			521997-1
PACKAGING	TERMINAL FINISH	INSULATION RANGE	WIRE SIZE	MATING TAB THK ±0.025 [±.001]	PART NO

THIS DRAWING IS A CONTROLLED DOCUMENT.		DWN RAGHAVENDRA 30JAN07			
DIMENSIONS: mm [INCHES]		CHK G.D.PORTA 30JAN07			
TOLERANCES UNLESS OTHERWISE SPECIFIED:		APVD G.D.PORTA 30JAN07	NAME ASSEMBLY, ULTRA-POD, RECEPTACLE, 6.35 [.250] SERIES		
0 PLC ± -	1 PLC ± -	PRODUCT SPEC 108-1285	SIZE A2	CAGE CODE 00779	DRAWING NO C=521997
2 PLC ± -	3 PLC ± 0.25 [.010]	APPLICATION SPEC 114-2124	SCALE 5:1	SHEET 1 of 1	REV C1
4 PLC ± -	ANGLES ± -	WEIGHT 0.000000	RESTRICTED TO -		
MATERIAL HOUSING - V2 NYLON TERMINAL - BRASS	FINISH HOUSING - NATURAL(WHITE) TERMINAL - SEE TABLE	CUSTOMER DRAWING			