

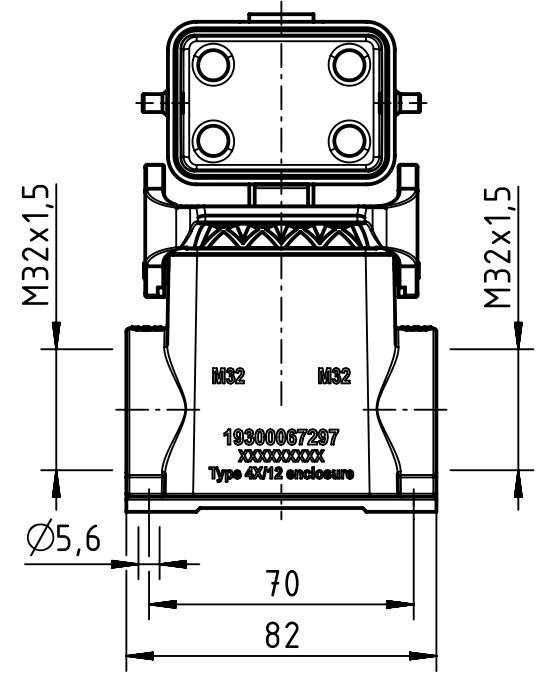
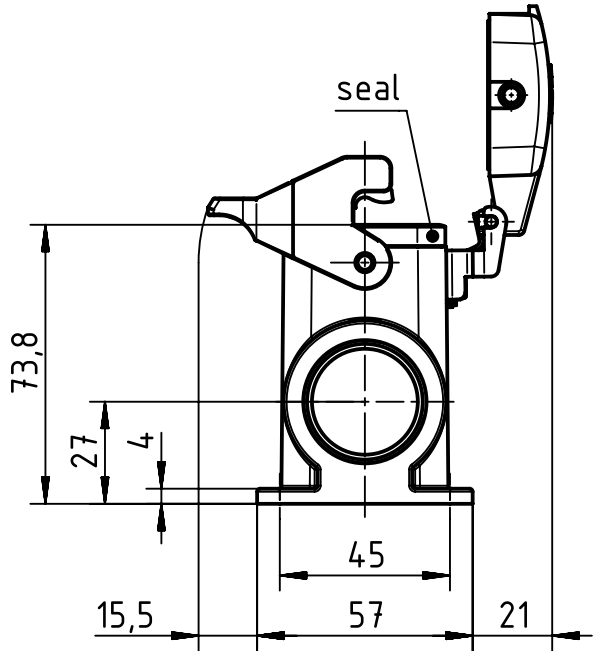
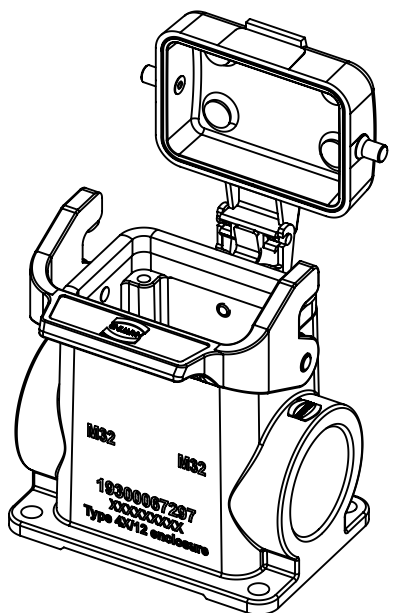
1 2 3 4 5 6

A

B

C

D



	All Dimensions in mm Original Size DIN A4		Scale 1:2	Free size tol.		Ref. Sub.	
		All rights reserved	Created by 102700	Inspected by SUNDERMEIER	Standardisation RUETERA	Date 2020-02-20	State Final Release
Department EL PD		Title Han 6B HSM2-SL-Cover-M32 (AK in AL)				Doc-Key / ECM-Nr. 100561056/UGD/002/D 500000166938	
HARTING Electric GmbH & Co. KG D-32339 Espelkamp		Type TB	Number 19 30 006 7297			Rev. D	Page 1/1