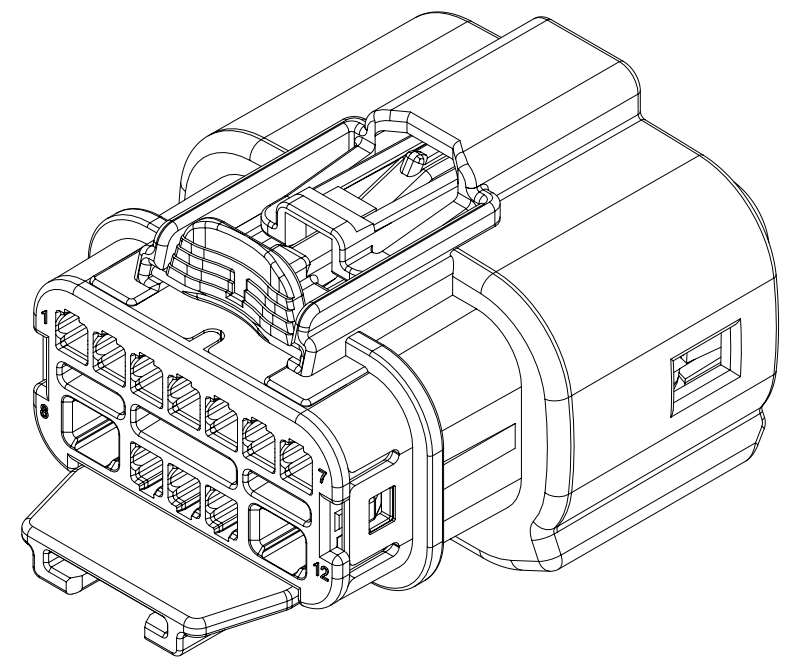
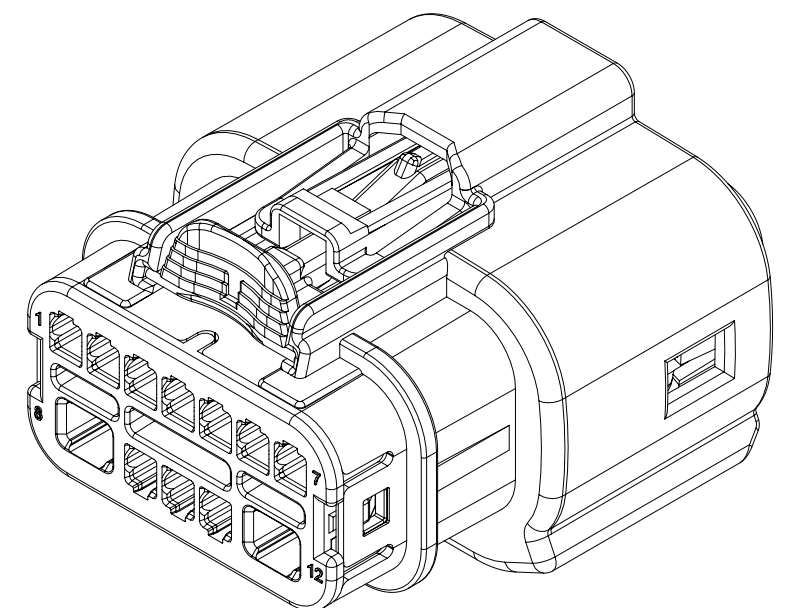


TABLE OF CONTENTS	
SHEET NO.	SHEET DESCRIPTION
1	NOTES
2	CONFIGURATIONS
3	KEY CONFIGURATIONS
4	RECEPTACLE CONNECTOR ASSEMBLY
5	12W HYBRID CONNECTOR BOM
6	12W HYBRID CONNECTOR BOM
7	12W HYBRID INTERFACE DEFINITION

DESCRIPTION	PACKAGING DRAWING NO.	MATING INTERFACE/CONNECTOR DRAWINGS	
		INTERFACE DEFINITION	MOLEX INLINE
12W HYBRID	RPK-1601110900	SEE PAGE 6	E-1601120000



12W HYBRID W/ EXTENED CLIPSLOT



12W HYBRID NON-CLIPSLOT

NOTES: VALID UNLESS OTHERWISE SPECIFIED

1. GENERAL:

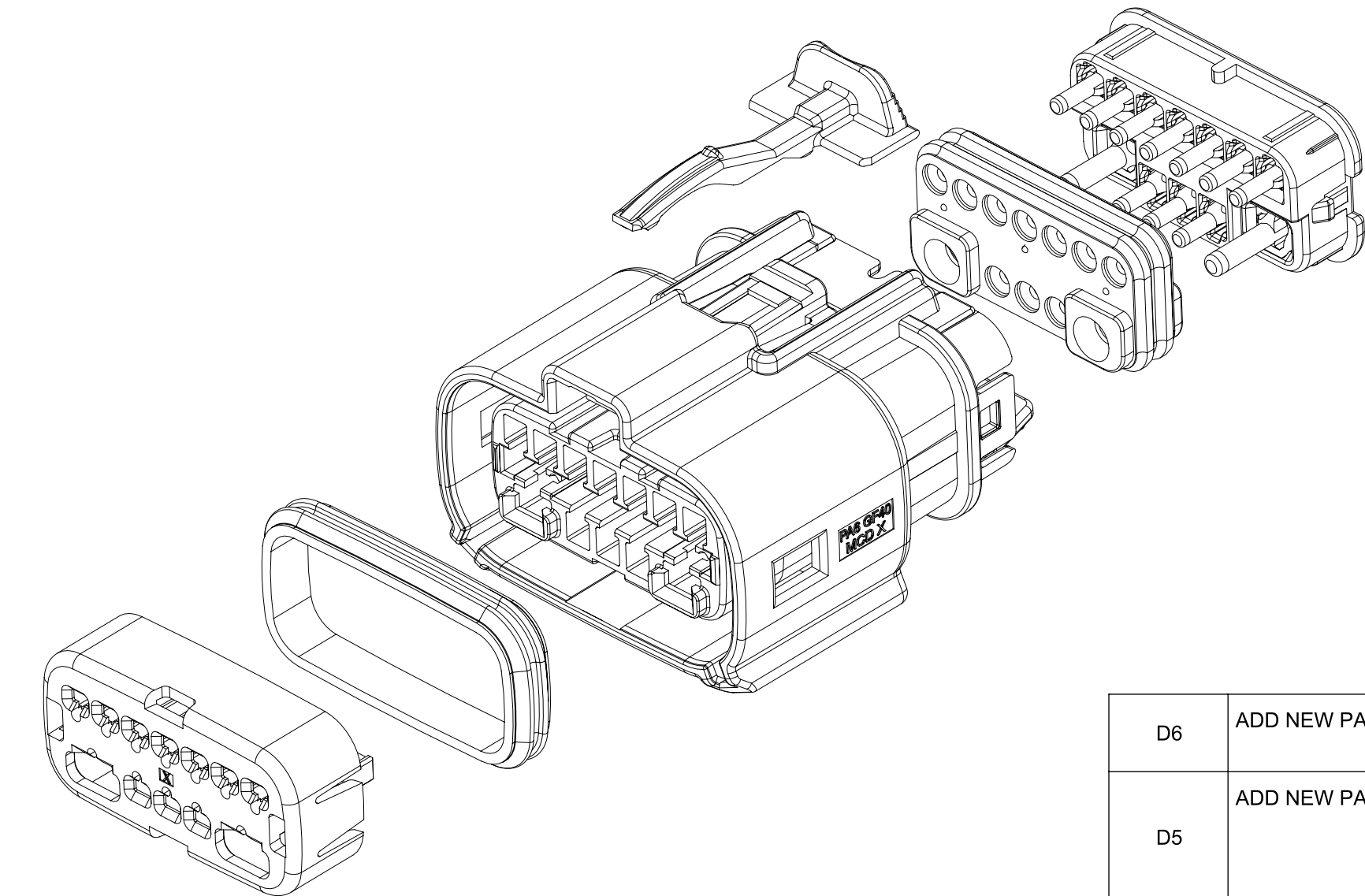
- 1.1 APPLICATION SPECIFICATION SEE: 1601110001-AS
 - CONTAINS: PRODUCT INTRODUCTION, PRODUCT SUMMARY, CONNECTOR ASSEMBLY, PACKAGING INFORMATION, CONNECTOR MATING, SERVICE INSTRUCTIONS, ELECTRICAL CONTINUITY CHECKING, CRIMPING, AND TROUBLE SHOOTING.
 - DESIGNED TO MATE WITH DEVICE OR CONNECTOR AS SPECIFIED IN THE MATING INTERFACE/CONNECTOR DRAWINGS CHART.
 - *DENOTES DRAWINGS THAT CAN BE ACCESSED AT [http://ewcap.uscarteams.org/]
 - ASSEMBLY SHIPPED WITH THE FOLLOWING PARTS IN PRE-LOCK POSITION (PLR, CPA, ISL, LEVEL. SEE PRE-LOCK VIEW ON PAGE 4).
- 1.2 PRODUCT SPECIFICATION SEE: 1601110001-PS
 - CONTAINS: SCOPE, PRODUCT DESCRIPTION, INTEGRAL COMPONENTS AND ACCESSORIES, APPLICABLE DOCUMENTS AND SPECIFICATIONS, RATINGS, PERFORMANCE, PACKAGING, GAUGES AND FIXTURES, AND OTHER INFORMATION.
- 1.3 PACKAGING SPECIFICATION PER MOLEX DRAWING: SEE PACKAGING CHART
- 1.4 PARTS MUST BE IN COMPLIANCE TO MOLEX CHEMICAL SUBSTANCES FOR PRODUCTS AND PACKAGING SPECIFICATION: QEHS-699000-300
- 1.5 DATA MUST BE SUBMITTED UNDER THE MOLEX PART NUMBER TO IMDS (COMPANY ID#13255)

2. DESIGN - MATERIALS:

- 2.1 SEE BOM TABLE

3. DESIGN - GEOMETRY:

- 3.1 THE 3-D CAD DATA IS BASIC (WITHOUT TOLERANCE) AND MUST BE TAKEN FROM THE DATA FILE AT ITS LATEST REVISION.
 - 3.2 THE 3-D CAD DATA IS MASTER FOR THIS PART AND IS TO BE USED TO ESTABLISH DIMENSIONAL INFORMATION NOT SHOWN ON THIS DRAWING. ANY DIMENSIONS UNDERLINED INDICATE A CONFLICT WITH THE MODEL.
 - 3.3 PRODUCT DESIGN MODEL NUMBER(S): SEE BOM TABLE
 - 3.4 GEOMETRIC DIMENSIONS AND TOLERANCES PER ASME Y14.5M-2009
 - 3.5 EDGES OF UNDEFINED SHAPE PER ISO 13715
 - 3.6 CORNERS SHOWN AS SHARP TO BE R 0.2 MAX
 - 3.7 LETTERING SHALL BE 0.15 MAX RAISED IN 0.25 MAX RECESS PAD.
THIS INCLUDES RECYCLING CODE, CAVITY ID, VENDOR IDENTIFICATION, AND CUSTOMER MATERIAL NUMBER.
 - 3.8 VISUAL DEFECTS SHALL MEET COSMETIC STANDARD PS-45499-002 (CLASS B).
 - 3.9 LASER MARKING
 1. PART NUMBER
 2. DAY OF THE YEAR
 3. SHIFT
 4. YEAR
- FOR ADDITIONAL INFORMATION SEE SECTION 5 UNDER PROCEDURES IN ES-34735-008.



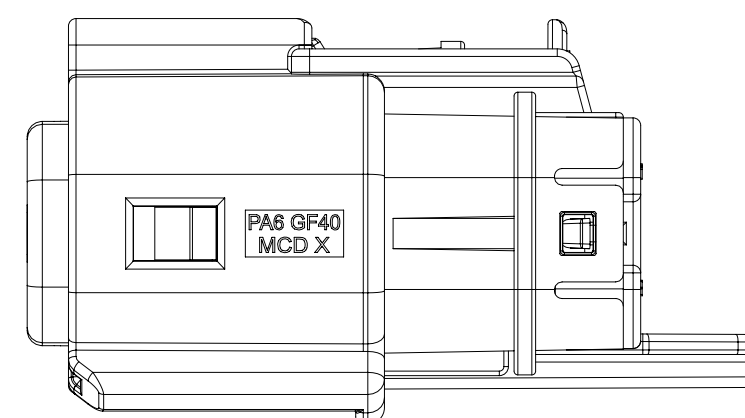
D6	ADD NEW PART NO. 160111-6068 160111-6069
D5	ADD NEW PART NO. 160111-6064 160111-6065 160111-6066 160111-6067
D4	ADD 160111-6062 AND 160111-6063
D3	ADD 160111-6061
D2	ADD 160111-6059 AND 6060
D1	ADD 160111-6054 THRU 6058
D	ADD 160111-6050 THRU 6053
C2	UPDATED NOTES
C1	CHANGE DOCUMENT TYPE FROM RSD TO SD
C	ADD 160111-6046 THRU 6049
B	UPDATED INFORMATION TO PRODUCTION LEVEL
A2	ADDED NEW PART NO. 160111-6039 160111-6040 160111-6041 160111-6042 160111-6043 160111-6044 160111-6045
A1	ADDED NEW PART NO. 160111-6021 160111-6022 160111-6023 160111-6024 160111-6025 160111-6026 160111-6027 160111-6028 160111-6029 160111-6030 160111-6031 160111-6032 160111-6033 160111-6034 160111-6035 160111-6036 160111-6037 160111-6038
A	INITIAL RELEASE

INSPECTION NUMBER LOG	
LAST NUMBER: 7	REV DESCRIPTION
REV	REV DESCRIPTION

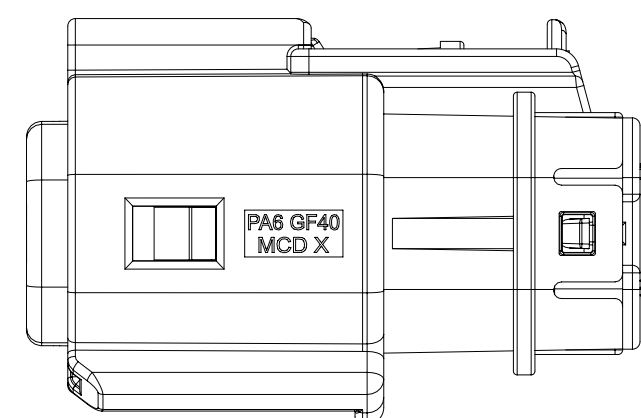
FUNCTIONAL SYMBOLS	THIS DRAWING CONTAINS INFORMATION THAT IS PROPRIETARY TO MOLEX ELECTRONIC TECHNOLOGIES, LLC AND SHOULD NOT BE USED WITHOUT WRITTEN PERMISSION		CURRENT REV DESC: SEE REVISION TABLE	
$\frac{F}{A} = 0$	DIMENSION UNITS	SCALE		
$\frac{F}{C} = 0$	mm	2:1		
$\frac{F}{D} = 0$	GENERAL TOLERANCES (UNLESS SPECIFIED)		PHASE: Design Production	
	ANGULAR TOL $\pm 0.5^\circ$		CO NO: CO-00000522	
	4 PLACES	± 0.0000	DRWN: Srikanth CV	2022-02-16
	3 PLACES	± 0.0000	CHK'D: Chaitra D	2022-02-17
	2 PLACES	± 0.000	APPR: Gurunandan GA	2022-02-17
	1 PLACE	± 0.00	INITIAL REVISION:	
	0 PLACES	± 0.00	DRWN: Srikanth CV	2022-02-16
			APPR: Gurunandan GA	2022-02-17
	DRAFT WHERE APPLICABLE MUST REMAIN WITHIN DIMENSIONS		THIRD ANGLE PROJECTION	DRAWING
				D-SIZE
			SERIES	160111
	MATERIAL NUMBER		CUSTOMER	SHEET NUMBER
	1601110000		CHARTED	1 OF 7
	DOCUMENT NUMBER		DOC TYPE	DOC PART
	1601110000		PSD	000
	REVISION		D6	
	PRODUCT SALES DRAWING		MX150 HYBRID MAT SEAL RCPT CONN ASM	

SHEET DESCRIPTION

CONFIGURATIONS



12W HYBRID W/ EXTENED CLIPSLOT



12W HYBRID NON-CLIPSLOT

FUNCTIONAL SYMBOLS	THIS DRAWING CONTAINS INFORMATION THAT IS PROPRIETARY TO MOLEX ELECTRONIC TECHNOLOGIES, LLC AND SHOULD NOT BE USED WITHOUT WRITTEN PERMISSION		
	DIMENSION UNITS	SCALE	CURRENT REV DESC: SEE REVISION TABLE
$\nabla_A = 0$	mm	2:1	PHASE: Design Production CO NO: CO-00000522
$\nabla_C = 0$	GENERAL TOLERANCES (UNLESS SPECIFIED)		
$\nabla_D = 0$	ANGULAR TOL $\pm 0.5^\circ$		DRWN: Srikanth CV 2022-02-16
DIVISIONAL SYMBOLS	4 PLACES	± 0.0000	CHK'D: Chaitra D 2022-02-17
	3 PLACES	± 0.0000	APPR: Gurunandan GA 2022-02-17
	2 PLACES	± 0.000	INITIAL REVISION:
	1 PLACE	± 0.00	DRWN: Srikanth CV 2022-02-16
	0 PLACES	± 0.00	APPR: Gurunandan GA 2022-02-17
DRAFT WHERE APPLICABLE MUST REMAIN WITHIN DIMENSIONS		THIRD ANGLE PROJECTION	DRAWING
			SERIES
			MATERIAL NUMBER
		D-SIZE	CUSTOMER
		160111	CHARTED
			DOCUMENT NUMBER
			DOC TYPE DOC PART REVISION
			1601110000 PSD 000 D6
			SHEET NUMBER
			2 OF 7

molex

MX150 HYBRID MAT SEAL RCPT CONN ASM

PRODUCT SALES DRAWING

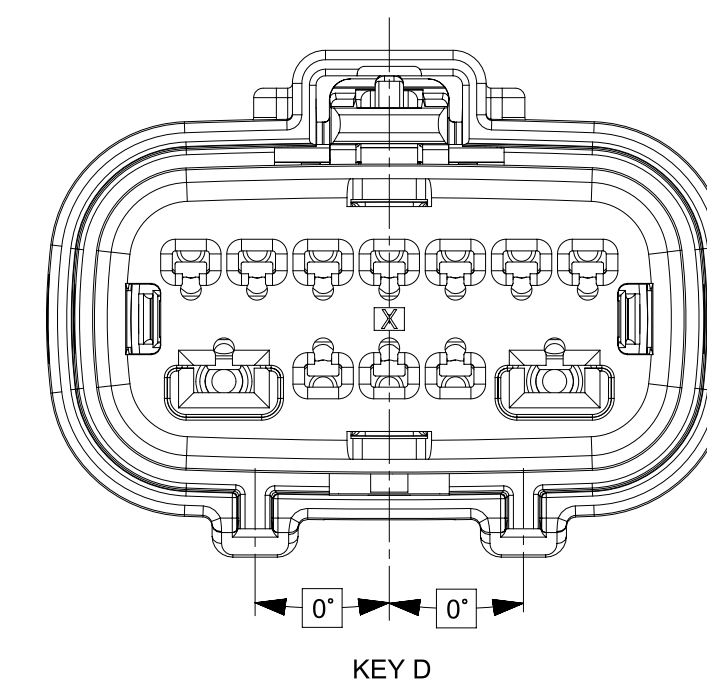
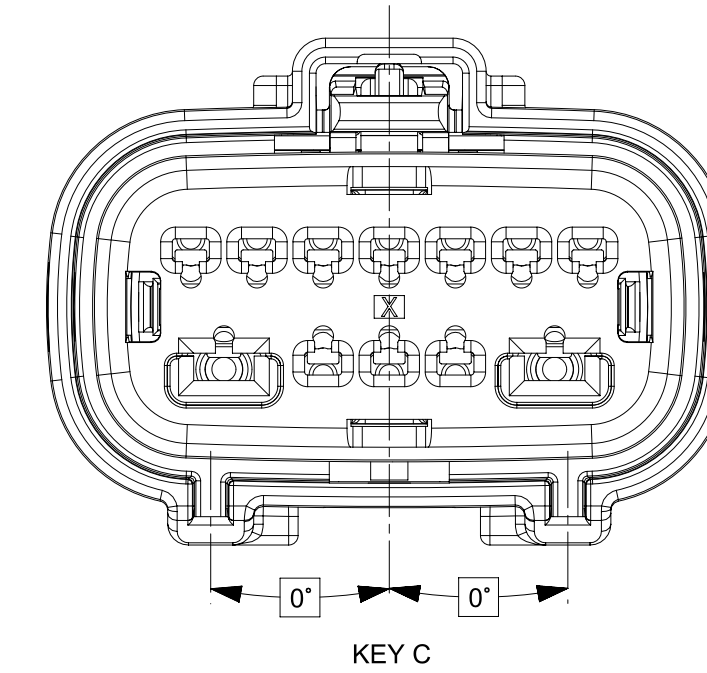
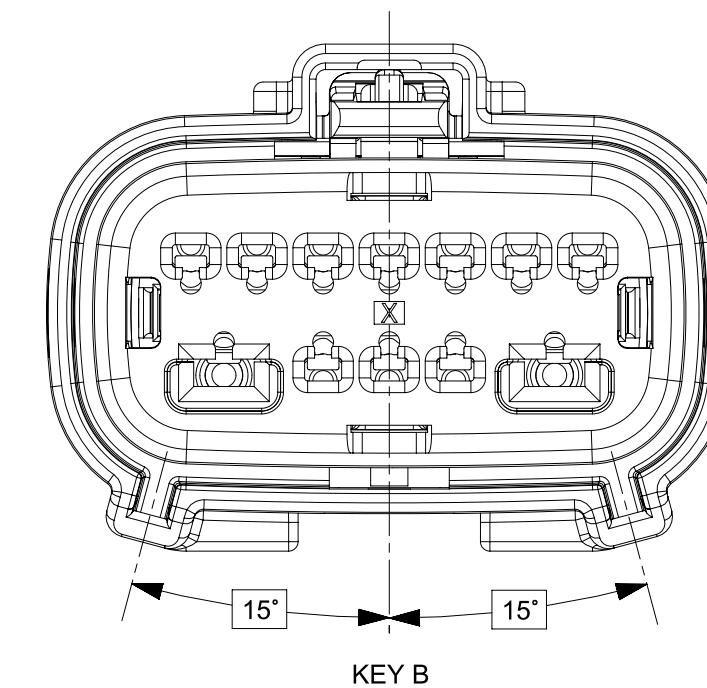
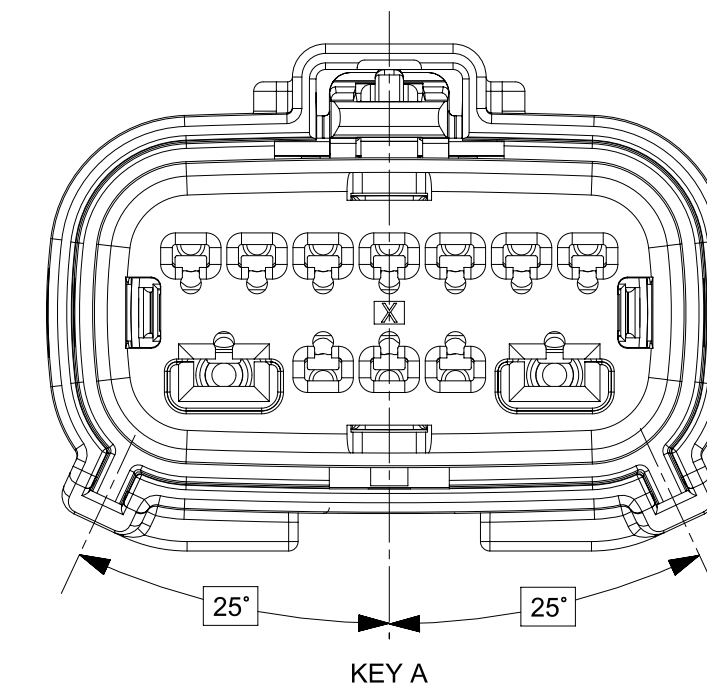
D-SIZE

160111

CHARTED

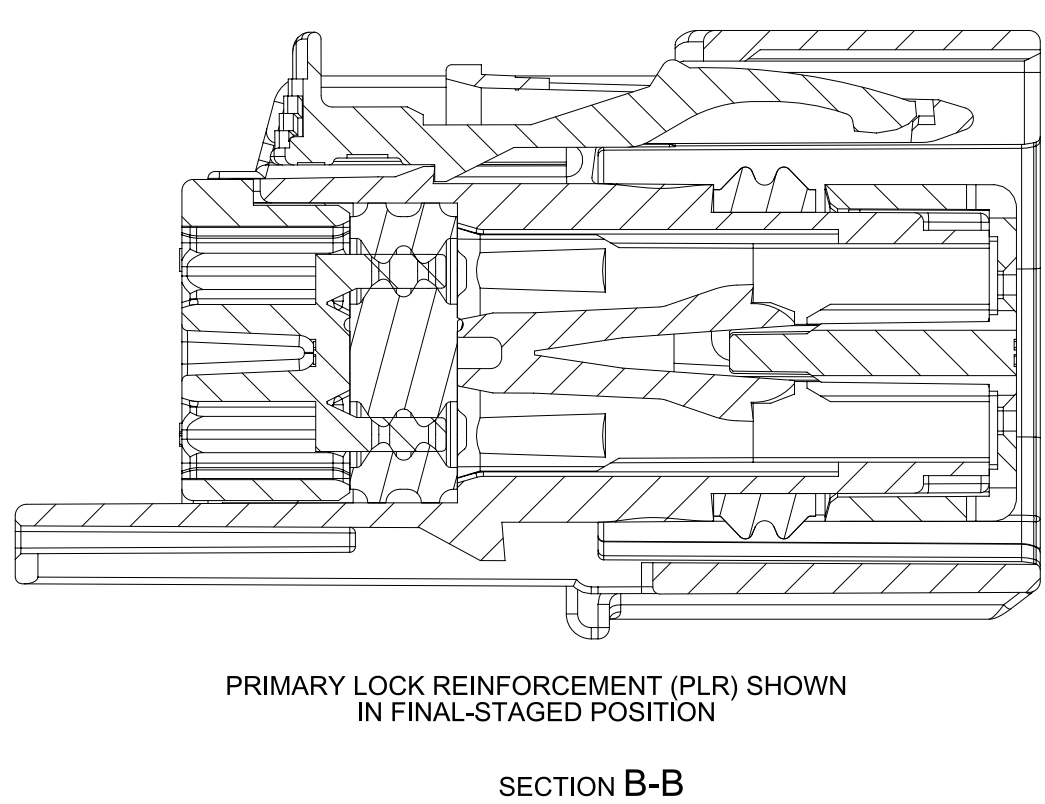
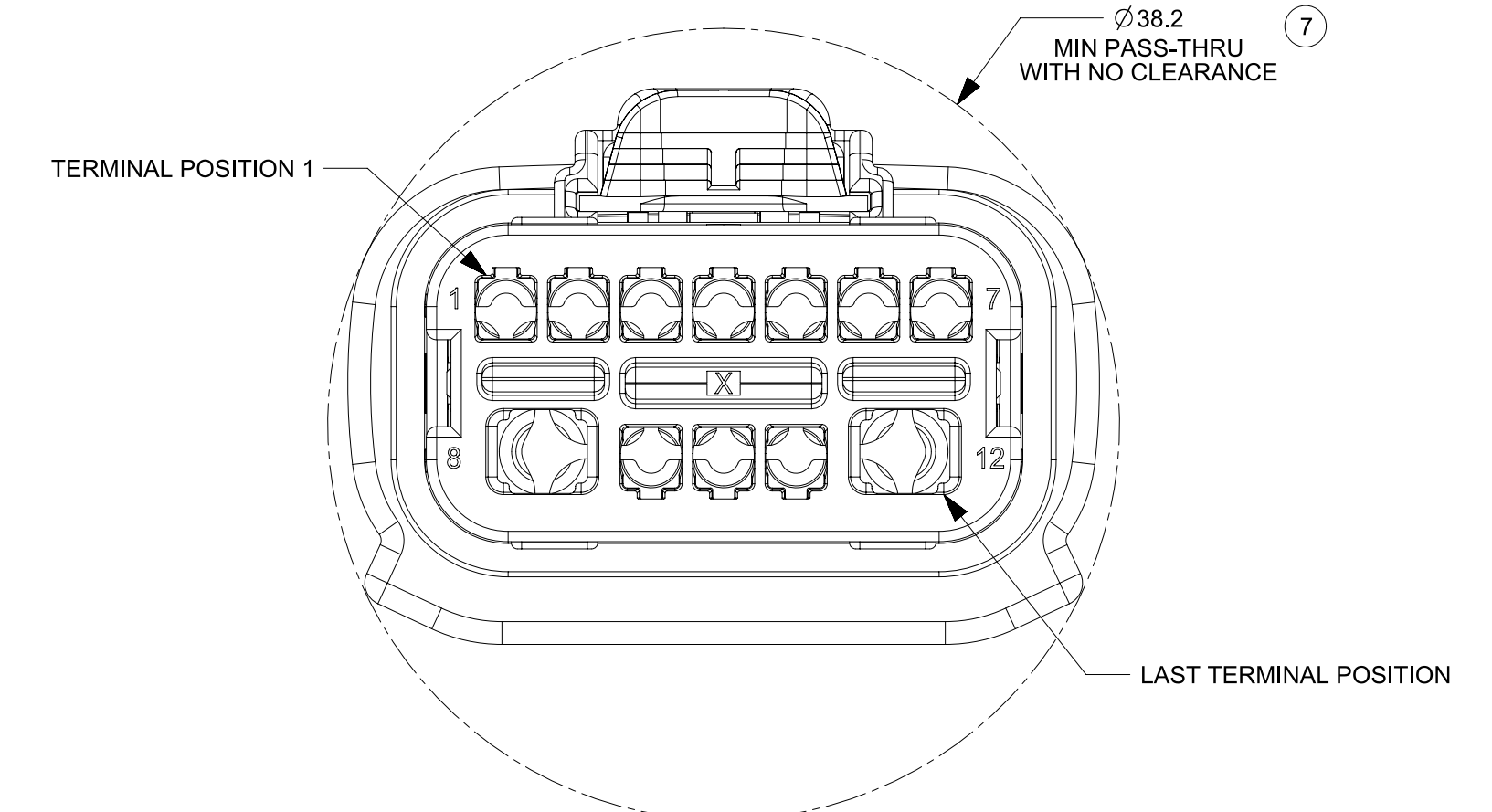
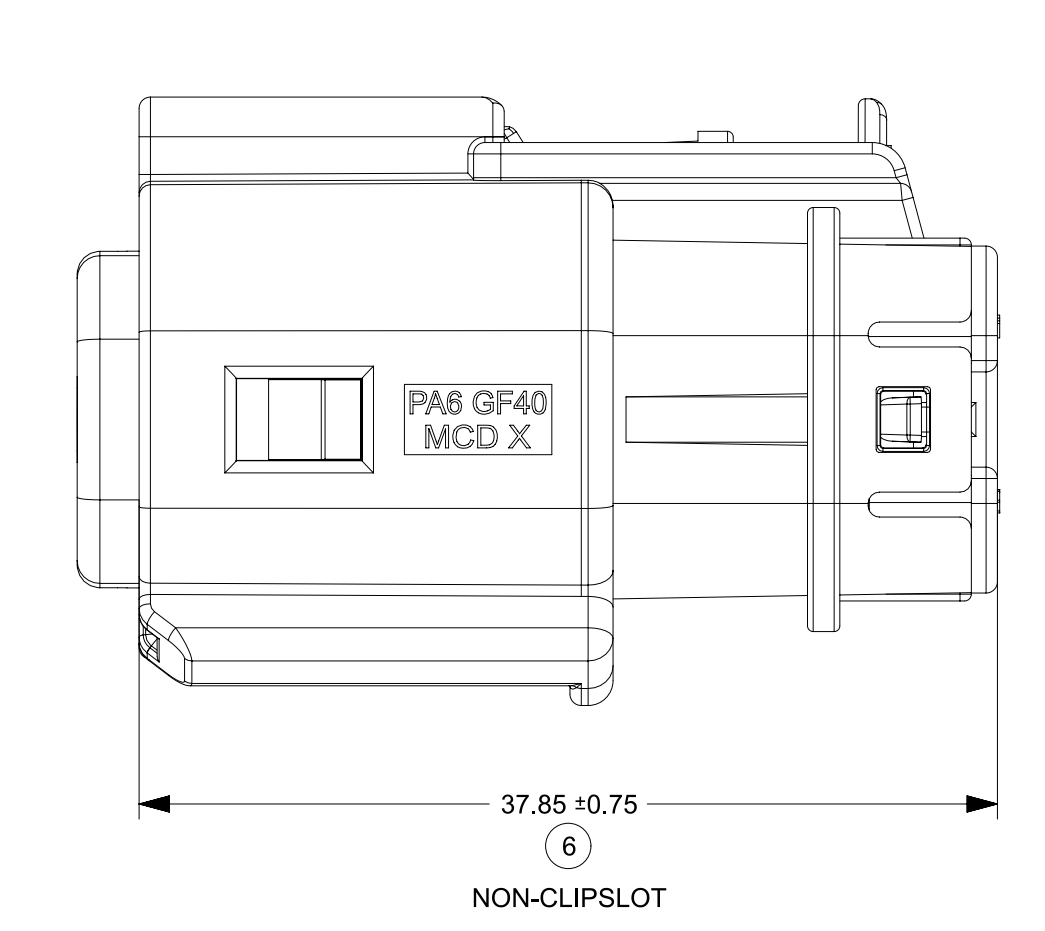
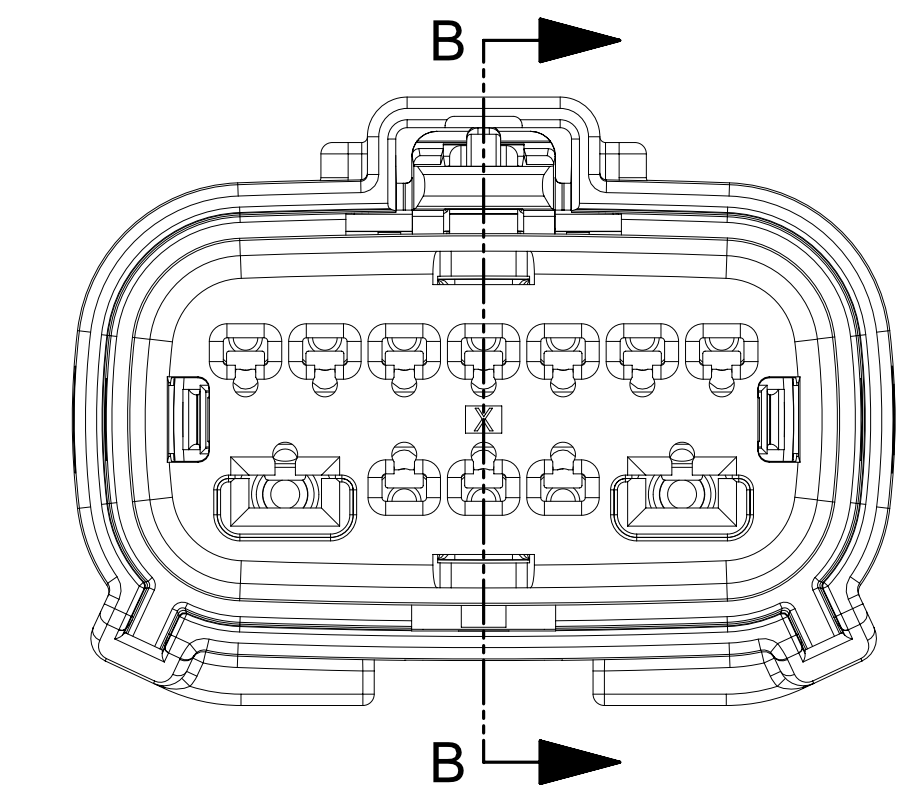
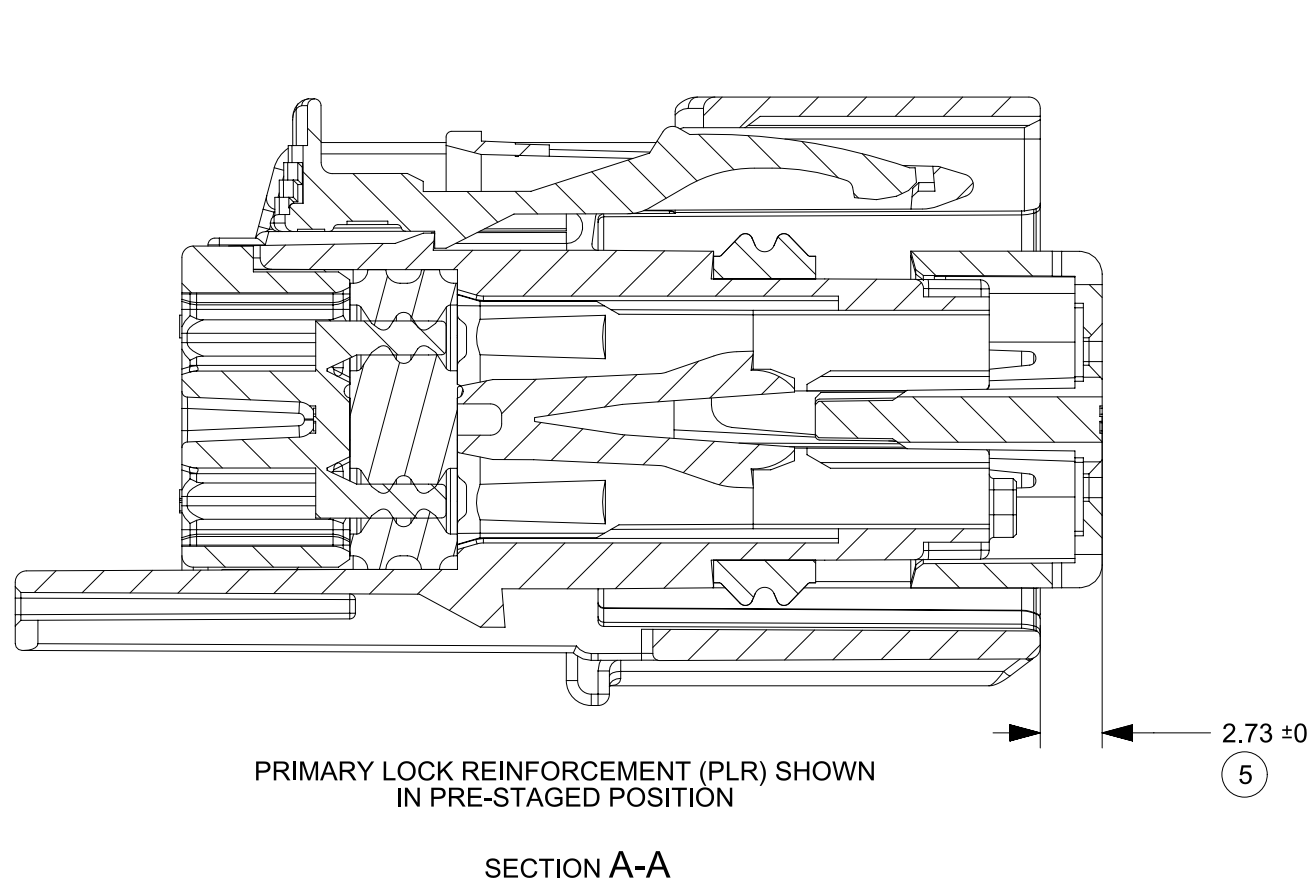
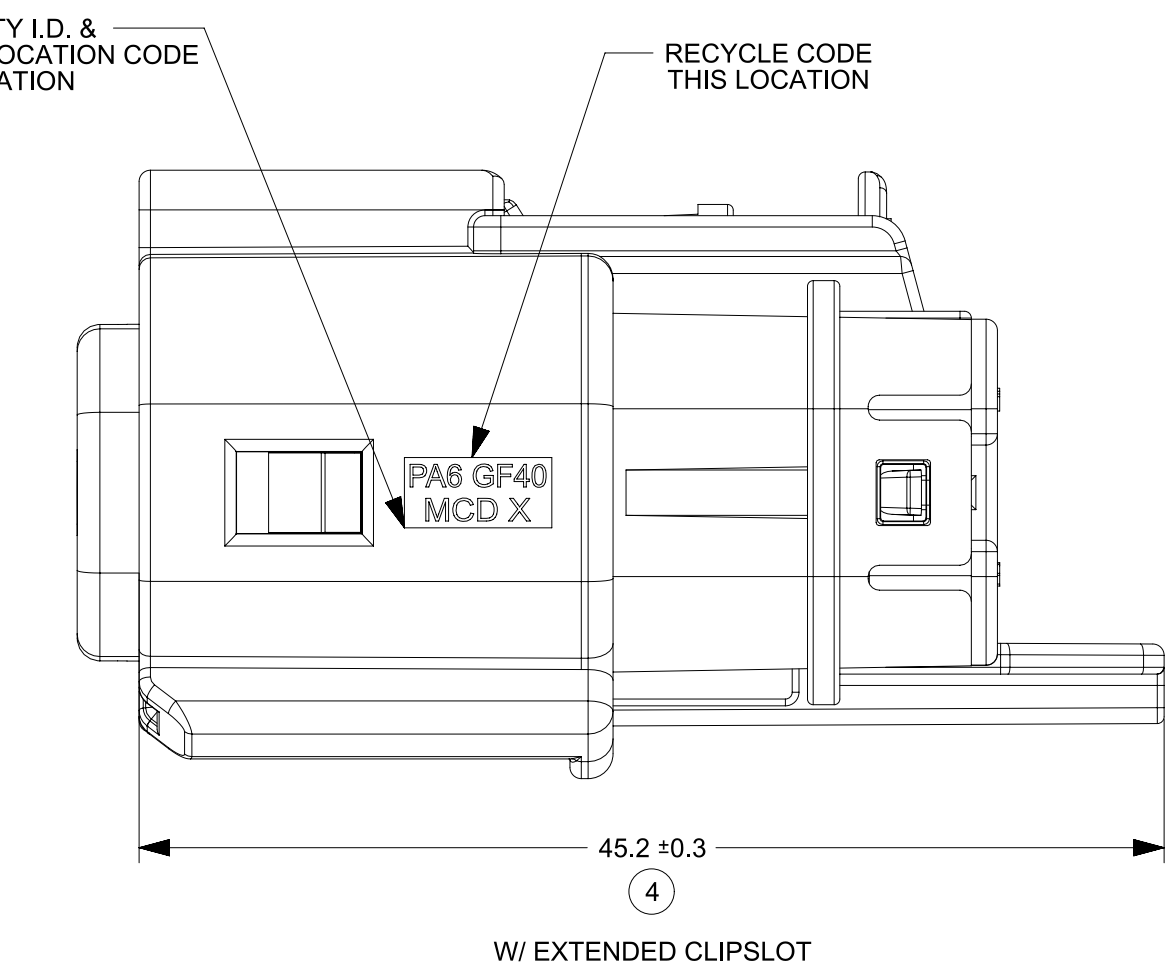
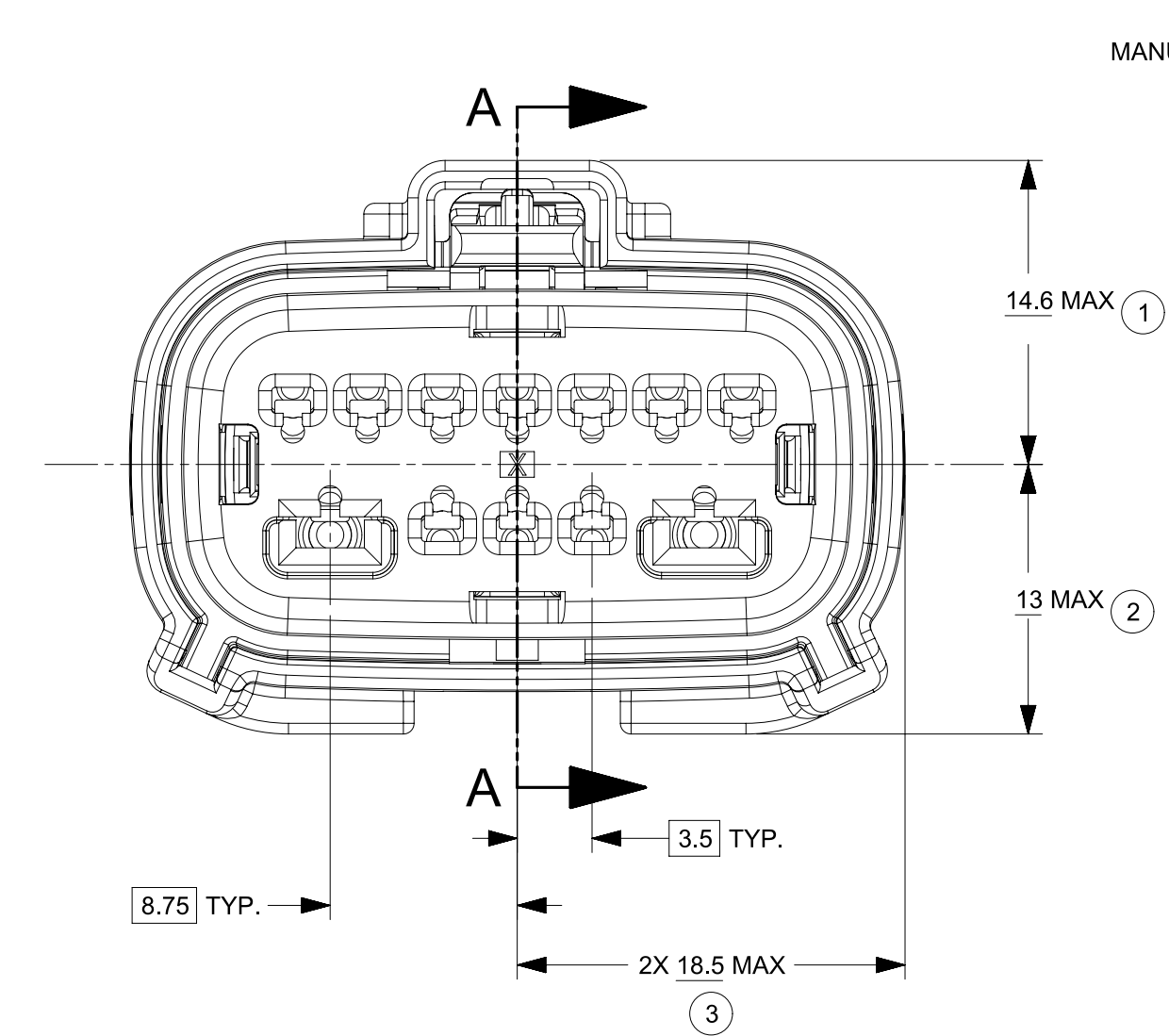
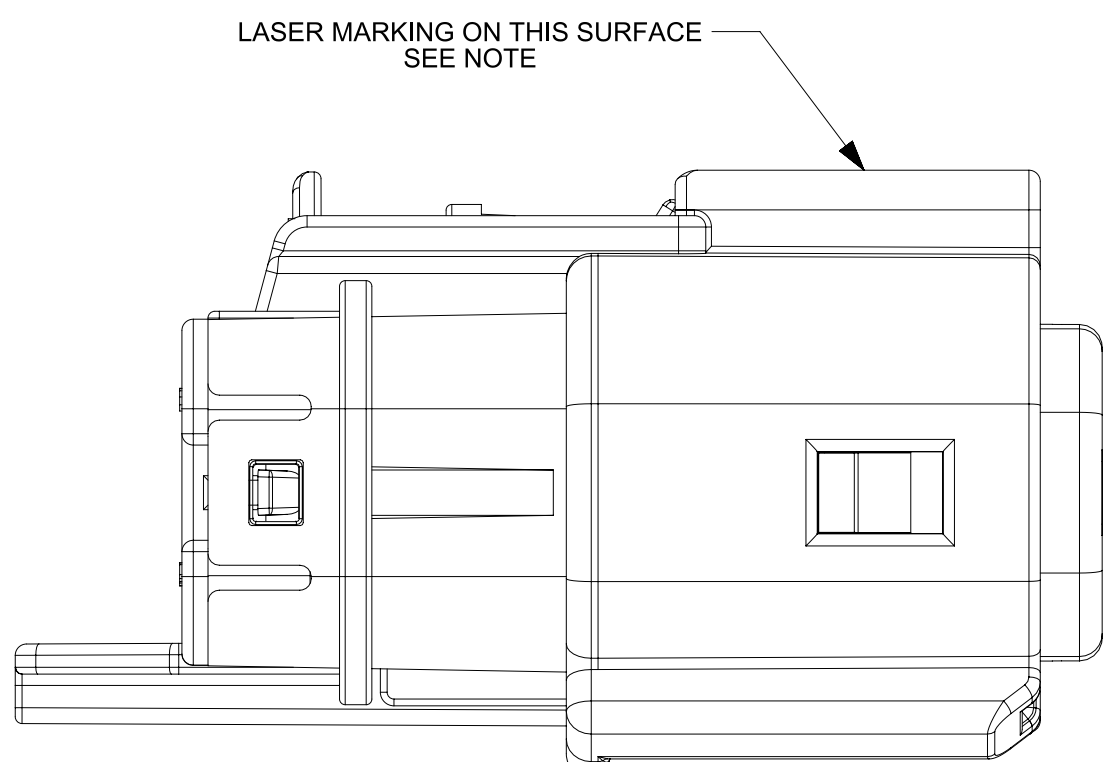
2 OF 7

12W HYBRID



FUNCTIONAL SYMBOLS	THIS DRAWING CONTAINS INFORMATION THAT IS PROPRIETARY TO MOLEX ELECTRONIC TECHNOLOGIES, LLC AND SHOULD NOT BE USED WITHOUT WRITTEN PERMISSION		CURRENT REV DESC: SEE REVISION TABLE							
	DIMENSION UNITS	SCALE								
$\nabla_A = 0$	mm	3:1	PHASE: Design Production CO NO: CO-00000522 DRWN: Srikanth CV 2022-02-16 CHK'D: Chaitra D 2022-02-17 APPR: Gurunandan GA 2022-02-17		MX150 HYBRID MAT SEAL RCPT CONN ASM					
GENERAL TOLERANCES (UNLESS SPECIFIED)									PRODUCT SALES DRAWING	
$\nabla_C = 0$	ANGULAR TOL $\pm 0.5^\circ$				INITIAL REVISION: DRWN: Srikanth CV 2022-02-16 APPR: Gurunandan GA 2022-02-17		DOCUMENT NUMBER	DOC TYPE		
$\nabla_D = 0$	4 PLACES ± 0.0000						1601110000	PSD	000	D6
DIVISIONAL SYMBOLS	3 PLACES ± 0.0000						DRAFT WHERE APPLICABLE MUST REMAIN WITHIN DIMENSIONS		MATERIAL NUMBER	CUSTOMER
	2 PLACES ± 0.000		D-DRAWING	160111	CHARTED	3 OF 7				
	1 PLACE ± 0.00		THIRD ANGLE PROJECTION							
	0 PLACES ± 0.00									

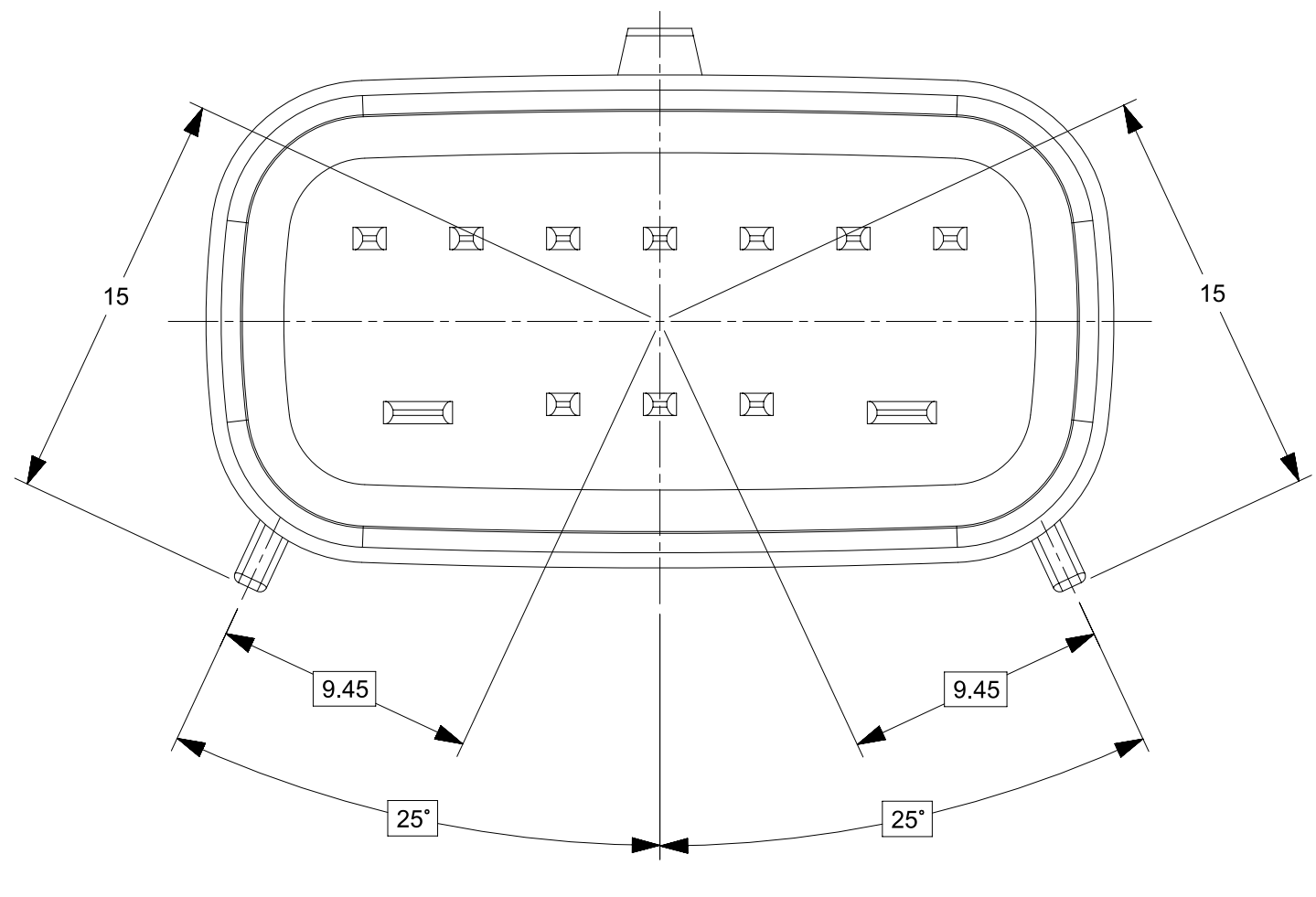
SHEET DESCRIPTION
RECEPTACLE CONNECTOR ASSEMBLY



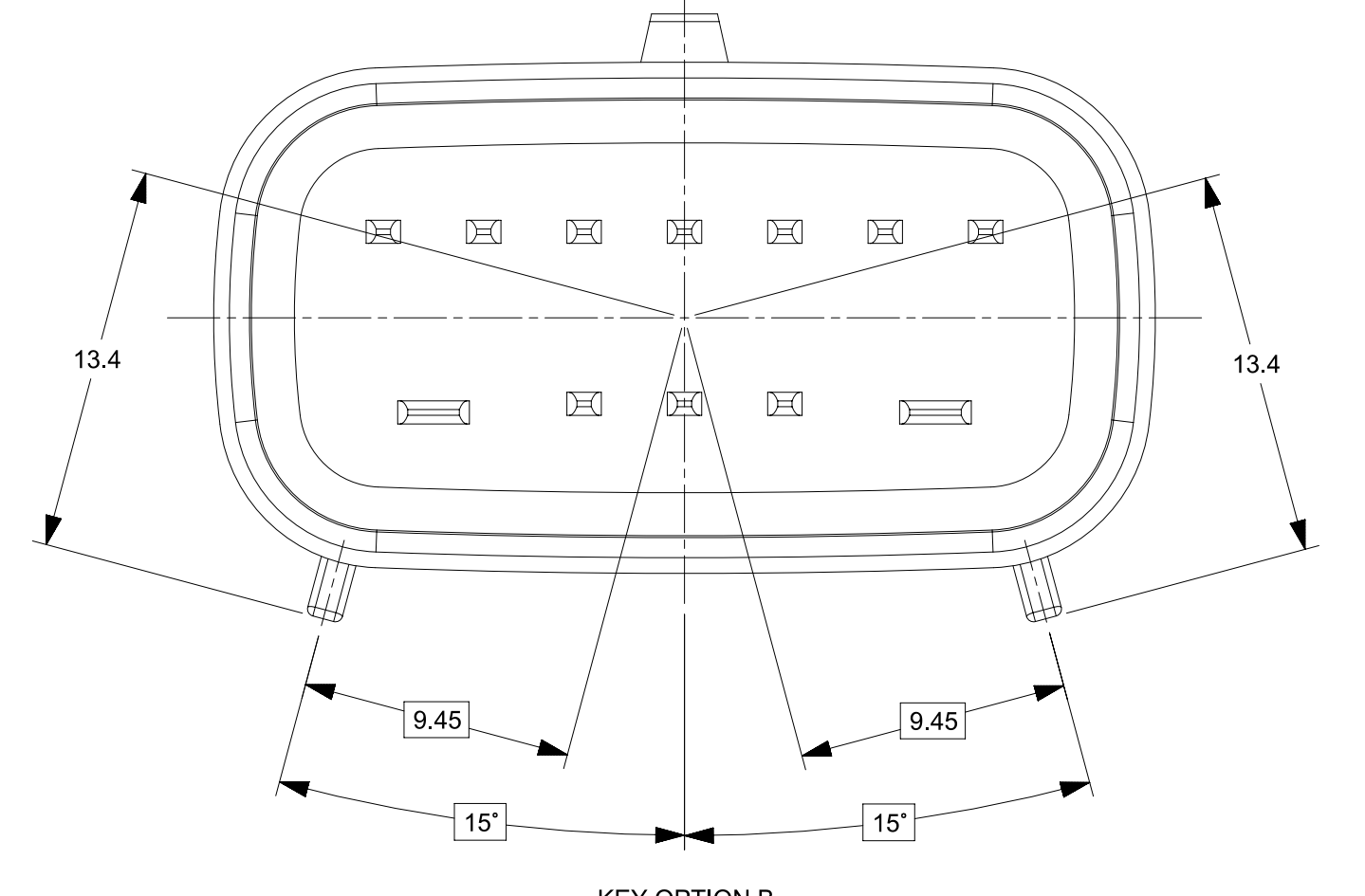
FUNCTIONAL SYMBOLS		THIS DRAWING CONTAINS INFORMATION THAT IS PROPRIETARY TO MOLEX ELECTRONIC TECHNOLOGIES, LLC AND SHOULD NOT BE USED WITHOUT WRITTEN PERMISSION		CURRENT REV DESC: SEE REVISION TABLE			
FA = 0	mm	SCALE	4:1	<p>molex</p> <p>MX150 HYBRID MAT SEAL RCPT CONN ASM</p> <p>PRODUCT SALES DRAWING</p> <p>DOCUMENT NUMBER: 1601110000 DOC TYPE: PSD DOC PART: 000 REVISION: D6</p> <p>SHEET NUMBER: 4 OF 7</p>			
FC = 0	GENERAL TOLERANCES (UNLESS SPECIFIED)		PHASE: Design Production CO NO: CO-00000522 DRWN: Srikanth CV 2022-02-16 CHK'D: Chaitra D 2022-02-17 APPR: Gurunandan GA 2022-02-17				
FD = 0	ANGULAR TOL ± 0.5°		INITIAL REVISION: DRWN: Srikanth CV 2022-02-16 APPR: Gurunandan GA 2022-02-17				
DIVISIONAL SYMBOLS		4 PLACES	± 0.0000			MATERIAL NUMBER: 160111	
		3 PLACES	± 0.0000			CUSTOMER: CHARTED	
		2 PLACES	± 0.000	SERIES: D-SIZE 160111			
		1 PLACE	± 0.00	THIRD ANGLE PROJECTION			
		0 PLACES	± 0.00	DRAWING: D-SIZE 160111			
DRAFT WHERE APPLICABLE MUST REMAIN WITHIN DIMENSIONS				SHEET NUMBER: 4 OF 7			

SEE NOTES

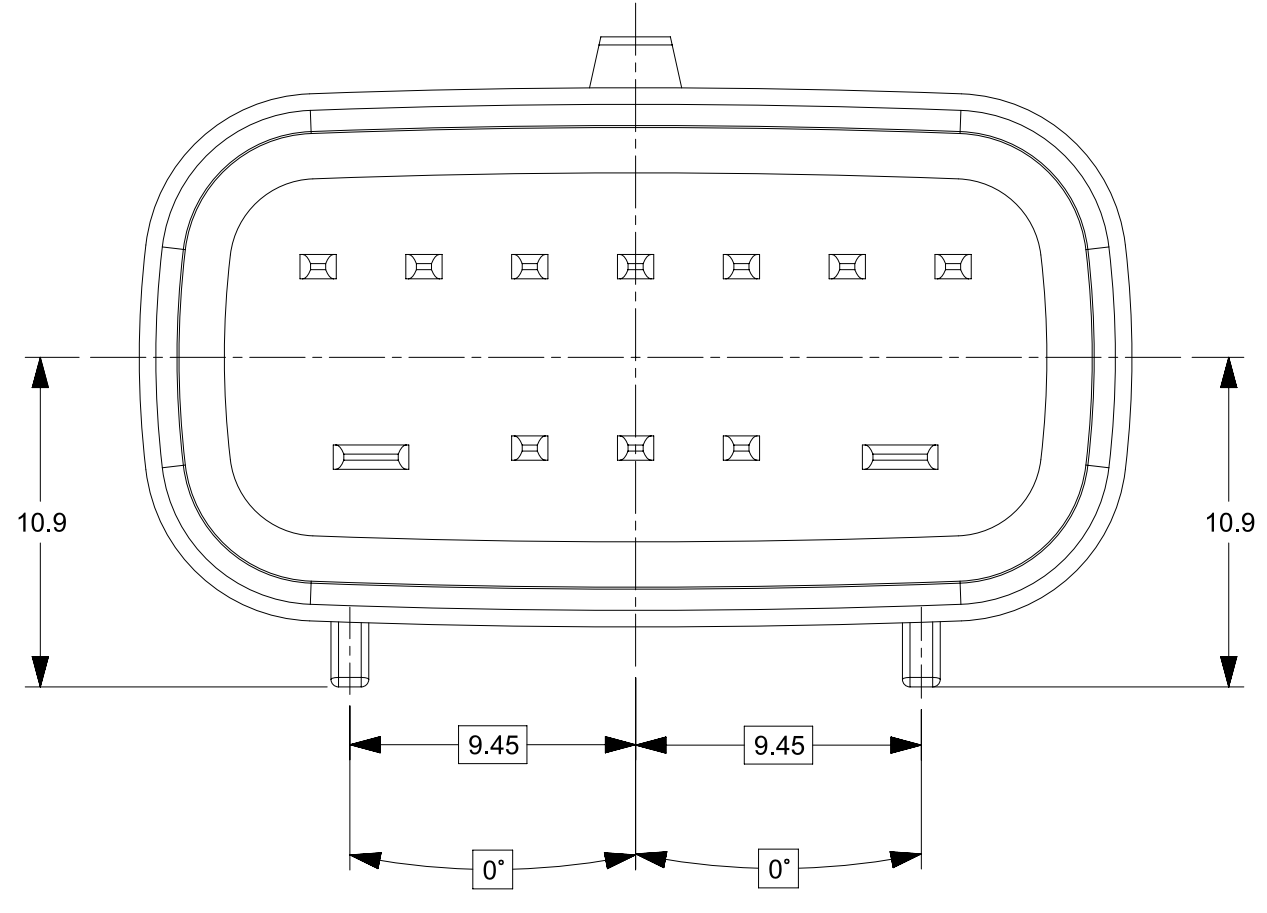
SHEET DESCRIPTION
12W HYBRID INTERFACE DEFINITION



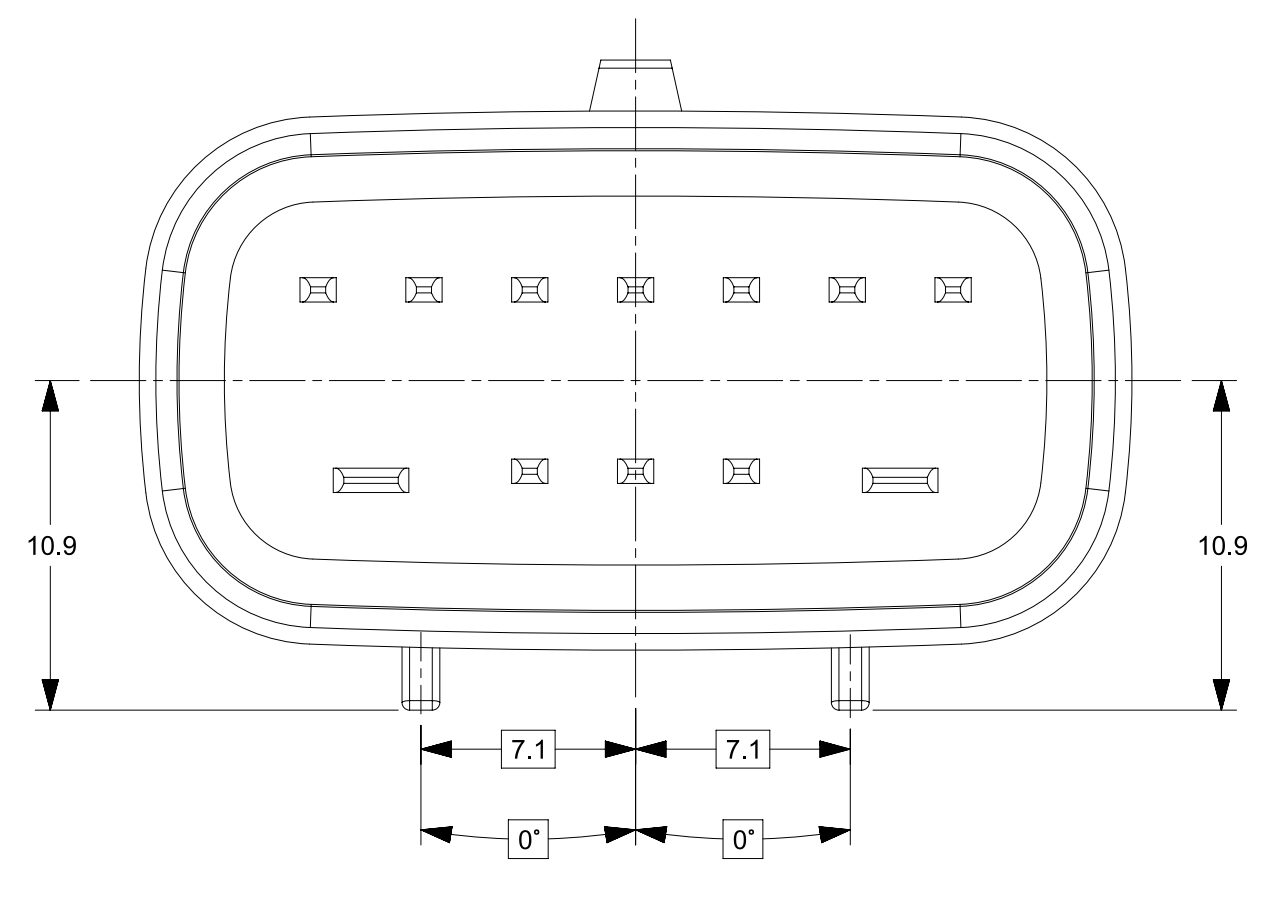
KEY OPTION A



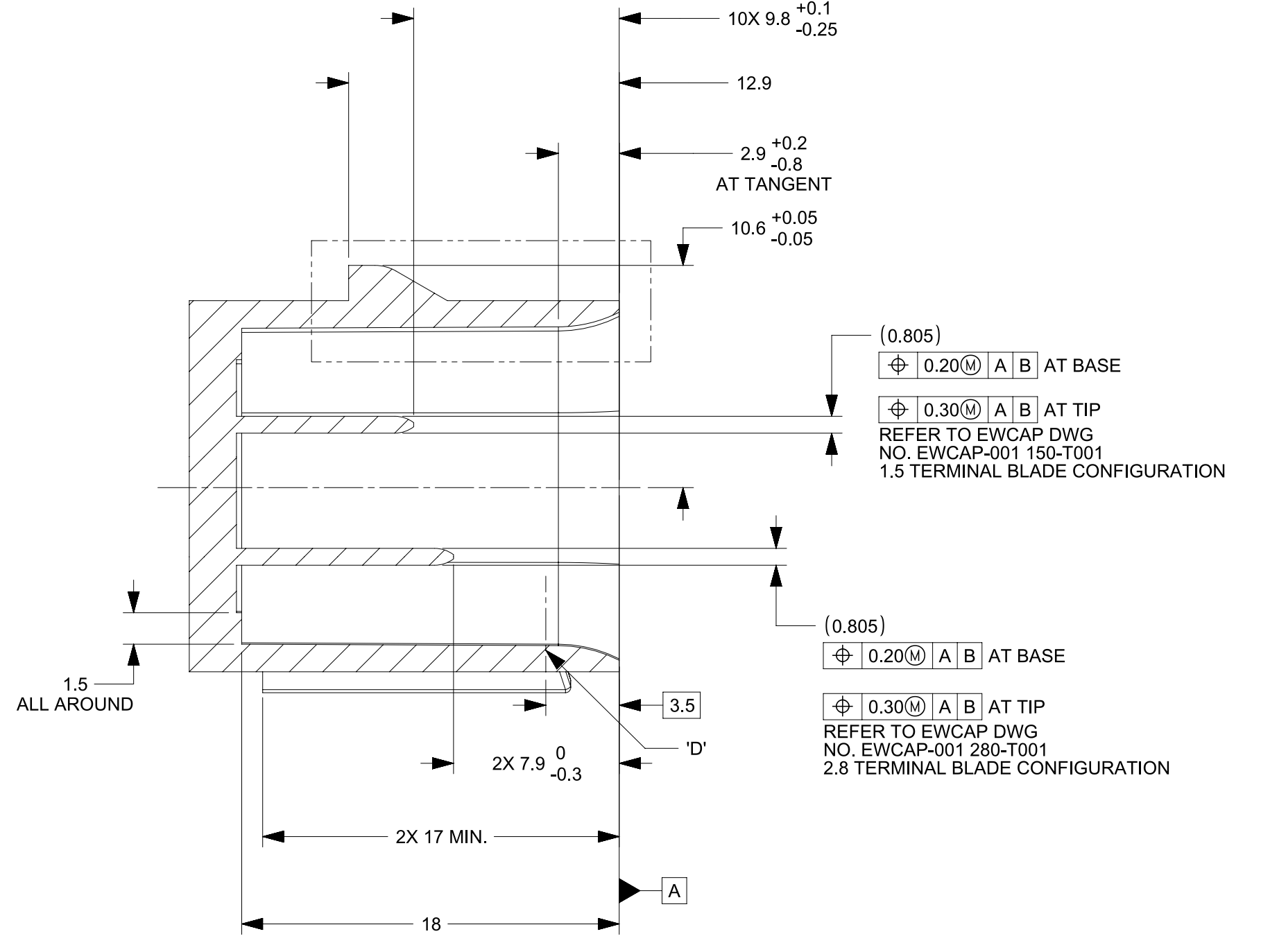
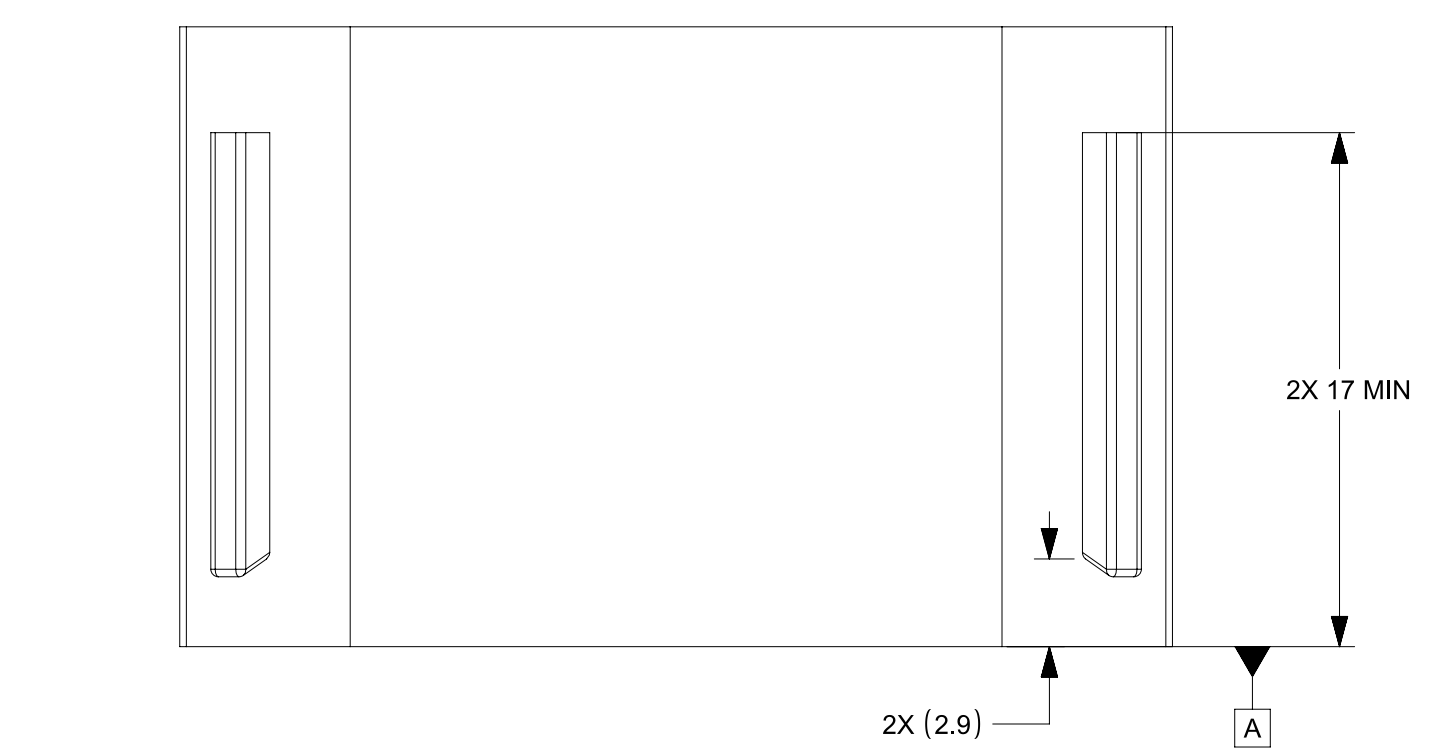
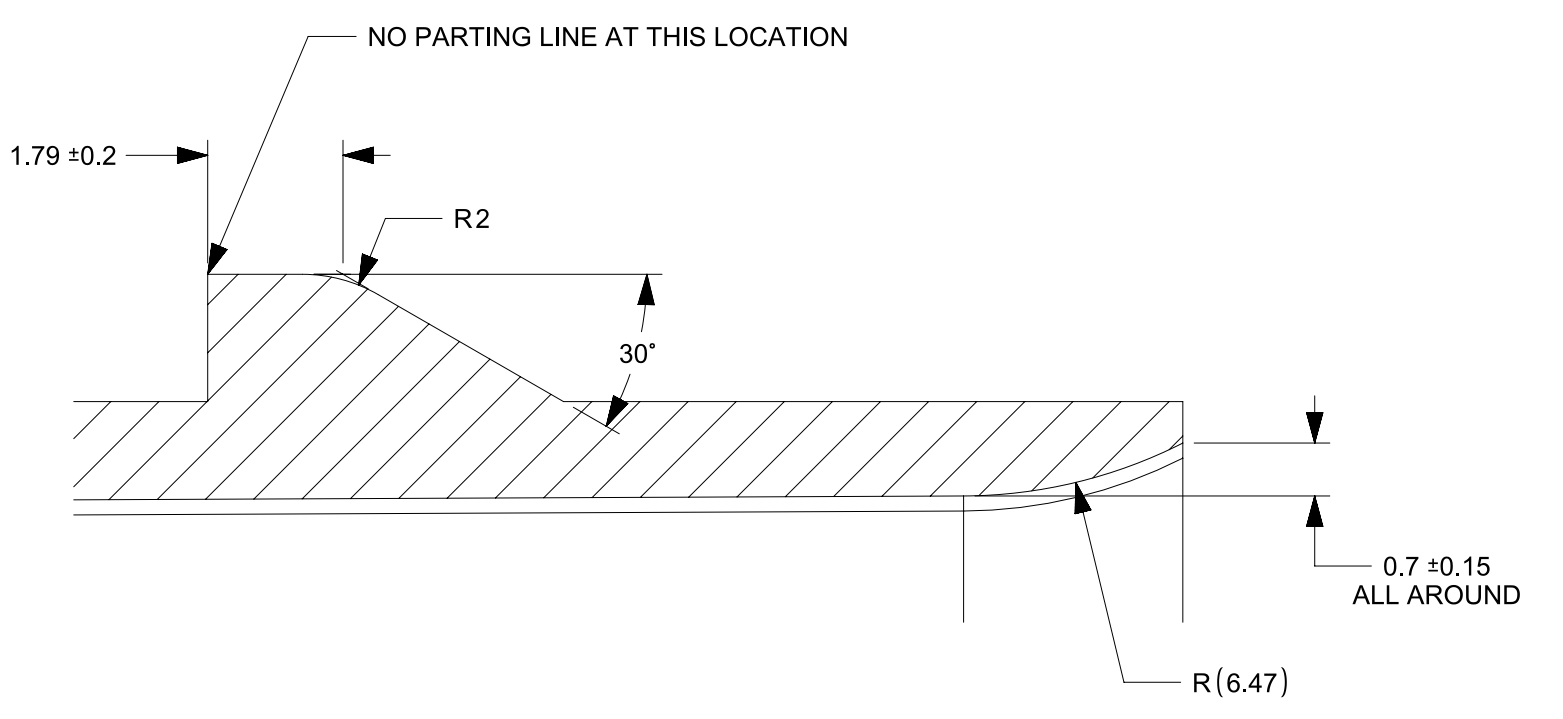
KEY OPTION B



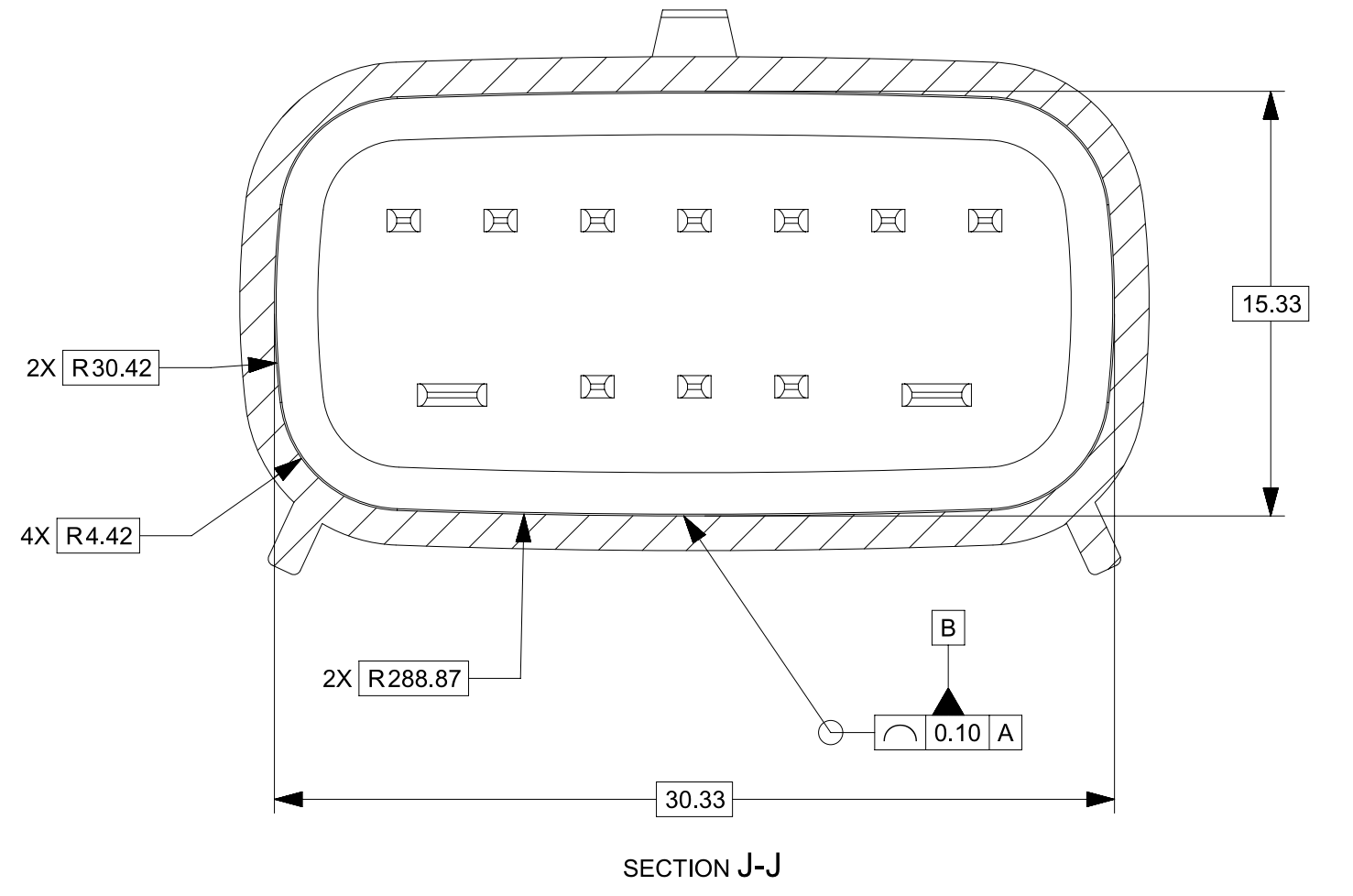
KEY OPTION C



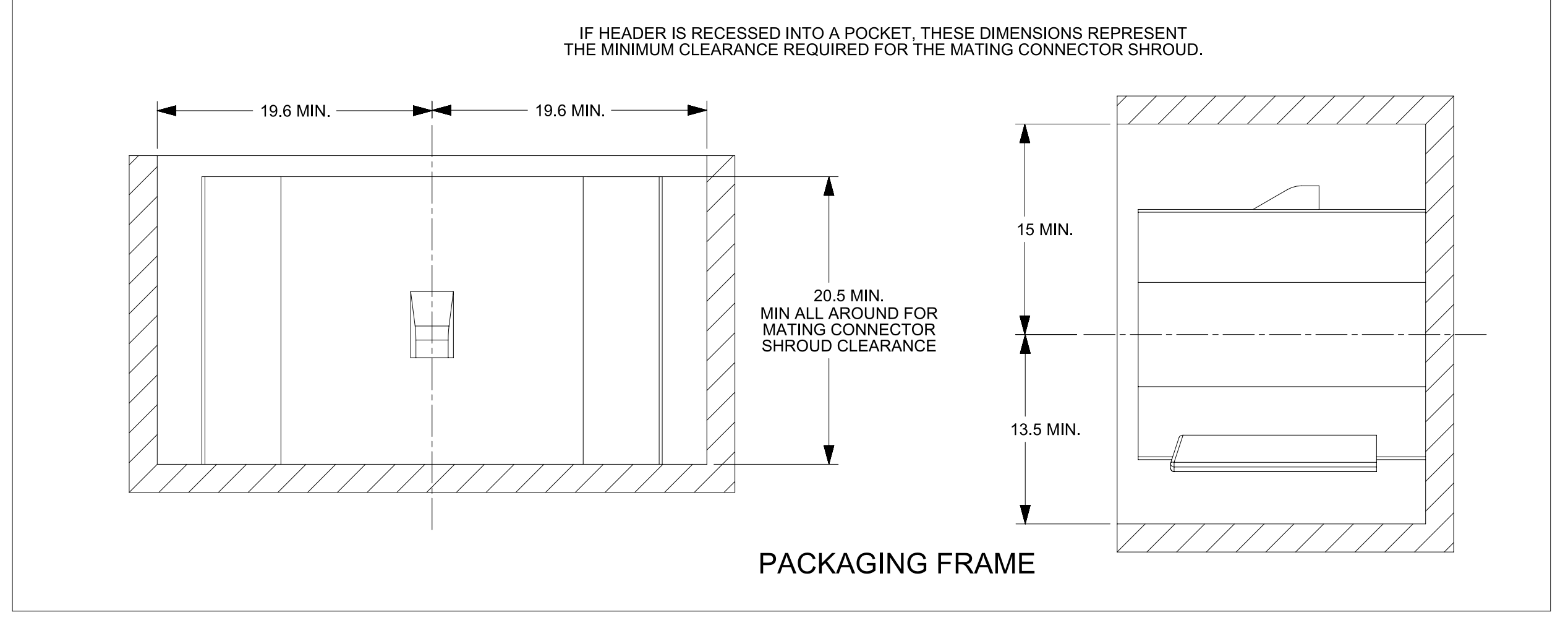
KEY OPTION D



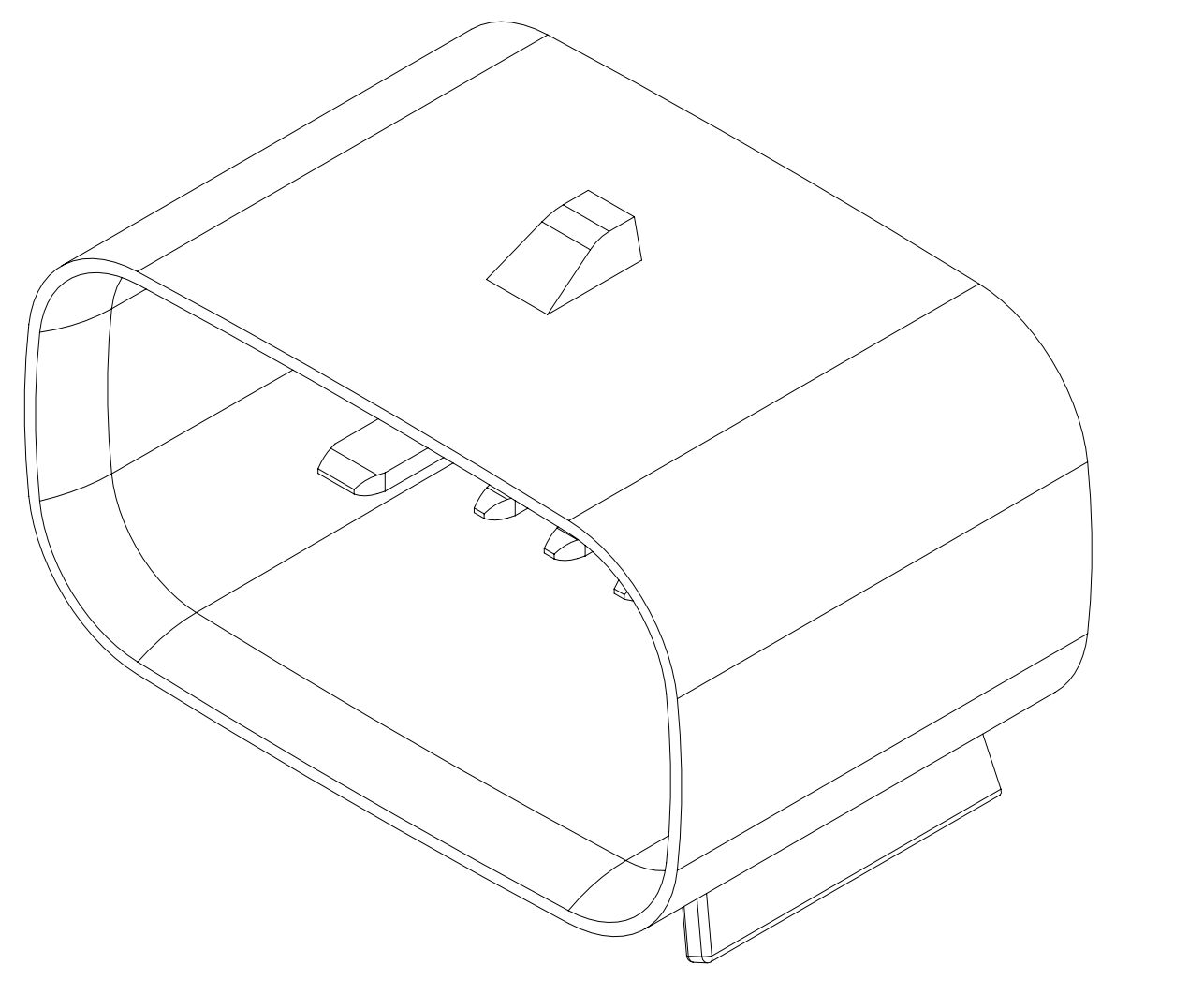
SECTION H-H



SECTION J-J

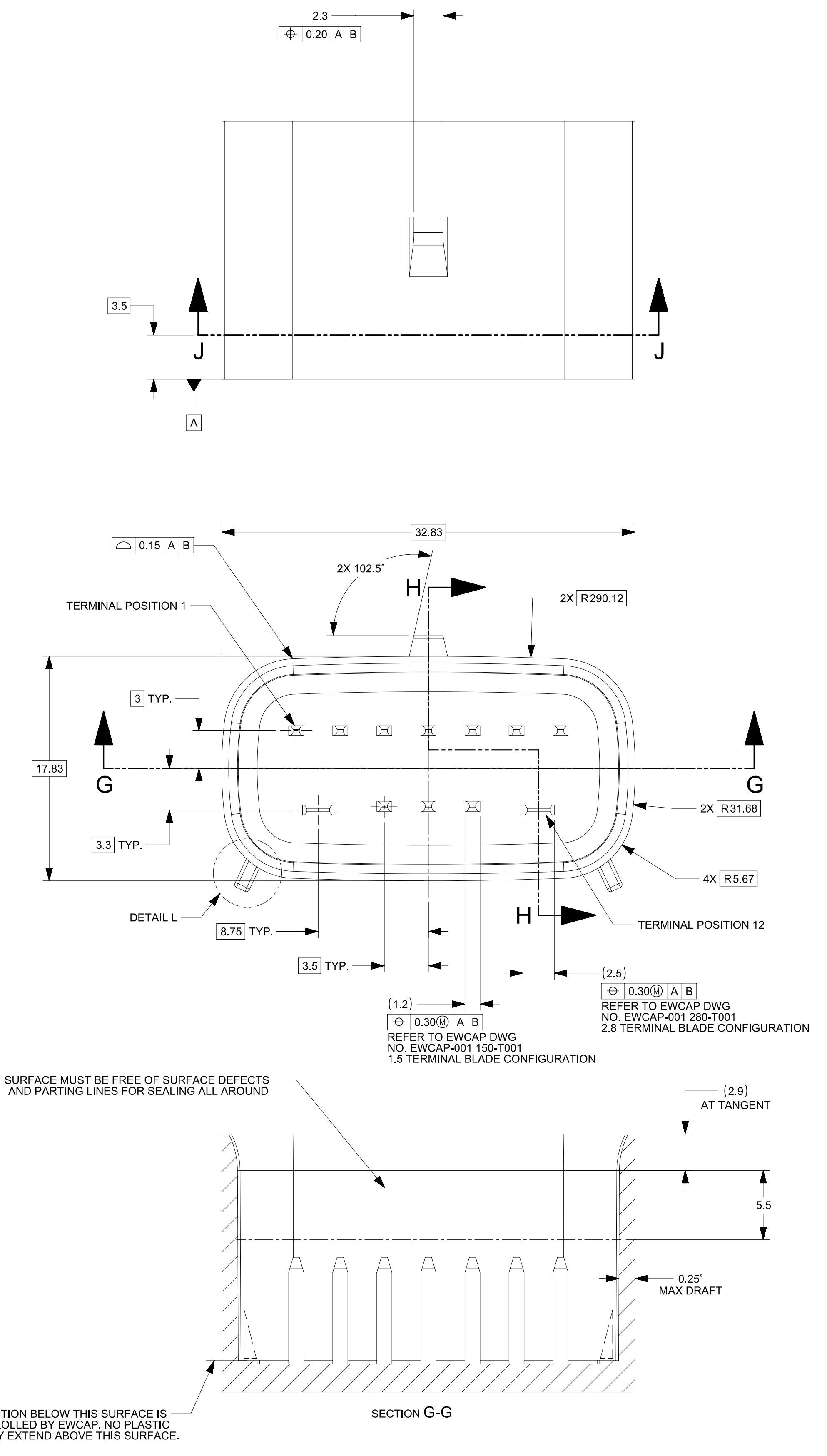


PACKAGING FRAME



NOTES: UNLESS OTHERWISE SPECIFIED

- ALL DIMENSIONS SHOWN IN MILLIMETERS.
- DIMENSIONING AND TOLERANCING PER ASME Y14.5M-1994
- 0.25 RADII ON ALL CORNERS SHOWN SHARP.
- UNSPECIFIED RADII: 0.25 EXCEPT AS NOTED.
- STANDARD COLORS FOR POLARIZATION (SEE CHART). DEVIATION REQUIRES APPROVAL OF AUTHORIZED PERSON.
- REFER TO "SAE/USCAR 12 CONNECTOR GUIDELINES" FOR ADDITIONAL REQUIREMENTS.
- EXCEPT WHERE NOTED, DRAFT ON OUTSIDE SURFACES IS PERMISSIBLE WITHIN TOLERANCE.
- SYMBOL INDICATES DRAFT DIRECTION.
- FOR TERMINAL MATERIAL, DIMENSIONAL, AND COATING REQUIREMENTS AND ANY BLADE TERMINAL DESIGN INFORMATION NOT SHOWN ON THIS DRAWING SEE EWCAP DRW. NO. EWCAP-001
- A FULL SHROUD ON THE MATING CONNECTOR IS REQUIRED TO INSURE THAT THE CONNECTOR-HEADER POLARIZATION FEATURES (OPTIONS A THRU D) WILL FUNCTION. THE FULL SHROUD ALSO PREVENT SCOOP DAMAGE TO THE HEADER PINS. REFER TO "SAE/USCAR-12 CONNECTOR DESIGN GUIDE LINES" FOR ADDITIONAL INFORMATION.
- REFER TO USCAR/EWCAP PART LIST AS FOUND ON WEBSITE <http://www.uscarteams.org>
- THIS IS 100% CAD GENERATED PART. THE CAD MATHEMATICAL DATA IS THE MASTER FOR THIS PART. FOR DIMENSIONAL OR ANY INFORMATION NOT SHOWN ON THIS DRAWING. ANALYZE THE CAD MODEL



SURFACE MUST BE FREE OF SURFACE DEFECTS AND PARTING LINES FOR SEALING ALL AROUND

CONSTRUCTION BELOW THIS SURFACE IS NOT CONTROLLED BY EWCAP. NO PLASTIC FEATURE MAY EXTEND ABOVE THIS SURFACE.

NOTICE

THIS DRAWING OR PORTIONS OF IT, ARE CONTROLLED BY THE ELECTRICAL WIRING COMPONENTS APPLICATION PARTNERSHIP (EWCAP), A SUBGROUP OF THE UNITED STATES CONSORTIUM FOR AUTOMOTIVE RESEARCH LLC (USCAR). USCAR IS A PARTNERSHIP BETWEEN CHRYSLER GROUP LLC, FORD MOTOR COMPANY, AND GENERAL MOTORS CORPORATION. ANY CHANGE TO A EWCAP CONTROLLED PORTION OF THIS DRAWING, INCLUDING A "RECORD CHANGE" MUST BE APPROVED, IN WRITING, BY THE RESPONSIBLE EWCAP MEMBER FROM EACH USCAR COMPANY. EACH EWCAP MEMBER AUTHORIZED TO SIGN FOR HIS OR HER COMPANY IS RESPONSIBLE FOR OBTAINING ALL NECESSARY APPROVALS WITHIN THAT COMPANY PRIOR TO SIGNING FOR APPROVAL OF THE CHANGE. EWCAP EXPRESSLY PROHIBITS ANY PARTY FROM CHANGING EITHER ANY EWCAP CONTROLLED PORTION OF THIS DRAWING OR ANY ASSOCIATED TOOLING BEFORE RECEIVING AN APPROVAL SIGNED BY AN AUTHORIZED REPRESENTATIVE FROM EACH EWCAP PARTNER. REFERENCE TO THE SIGNED APPROVAL FORM MUST BE ENTERED IN THIS DRAWING'S CONTROL COLUMN.

	A6	ADDED NOTES AND NOTICE	1/16/17	AD	MV
	A	DESIGN RELEASE	4/18/16	AD	MV
CHANGE SERIAL NUMBER	LET	REVISION RECORD	DATE	DWN	CHK

FUNCTIONAL SYMBOLS	THIS DRAWING CONTAINS INFORMATION THAT IS PROPRIETARY TO MOLEX ELECTRONIC TECHNOLOGIES, LLC AND SHOULD NOT BE USED WITHOUT WRITTEN PERMISSION	
$\nabla = 0$	DIMENSION UNITS: mm	SCALE: 1:1
$\nabla = 0$	CURRENT REV DESC: SEE REVISION TABLE	
$\nabla = 0$	GENERAL TOLERANCES (UNLESS SPECIFIED)	
	ANGULAR TOL	$\pm 0.5^\circ$
	4 PLACES	± 0.00000
	3 PLACES	± 0.0000
	2 PLACES	± 0.000
	1 PLACE	± 0.00
	0 PLACES	± 0.00
DIVISIONAL SYMBOLS	DRAFT WHERE APPLICABLE MUST REMAIN WITHIN DIMENSIONS	
	THIRD ANGLE PROJECTION	E-SIZE 160111

molex

MX150 HYBRID MAT SEAL RCPT CONN ASM

PRODUCT SALES DRAWING

DOCUMENT NUMBER	DOC TYPE	DOC PART	REVISION
1601110000	PSD	000	D6

MATERIAL NUMBER	CUSTOMER	SHEET NUMBER
160111		7 OF 7

999-S-012-2-D01	D	STONE GRAY
999-S-012-2-C01	C	DARK GRAY
999-S-012-2-B01	B	LIGHT GRAY
999-S-012-2-A01	A	BLACK
EWCAP P/N	OPTION	MATING CONNECTOR COLOR

