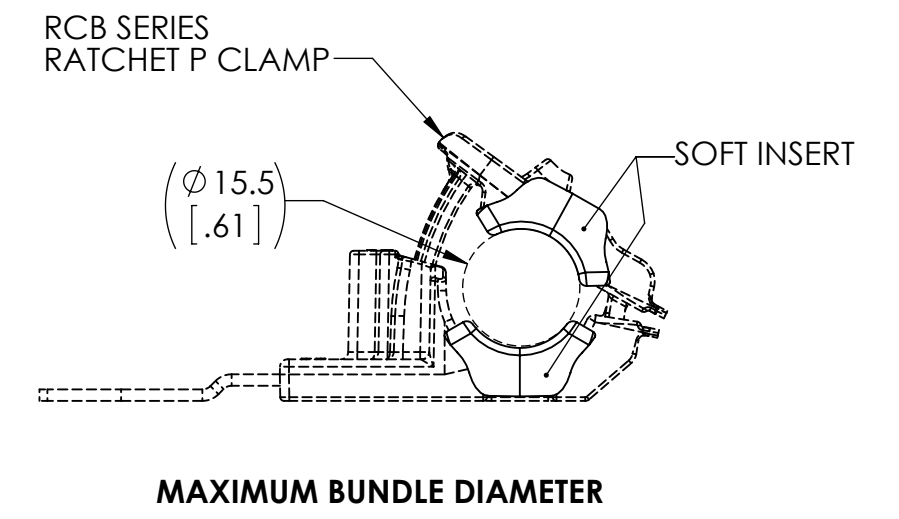
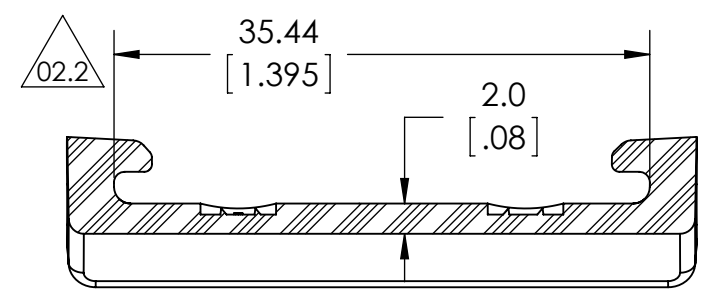
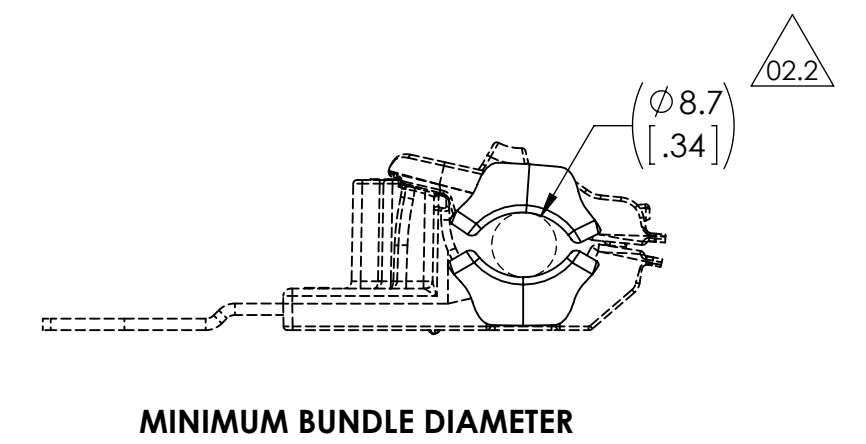
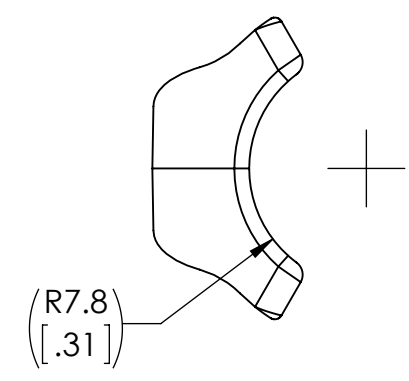
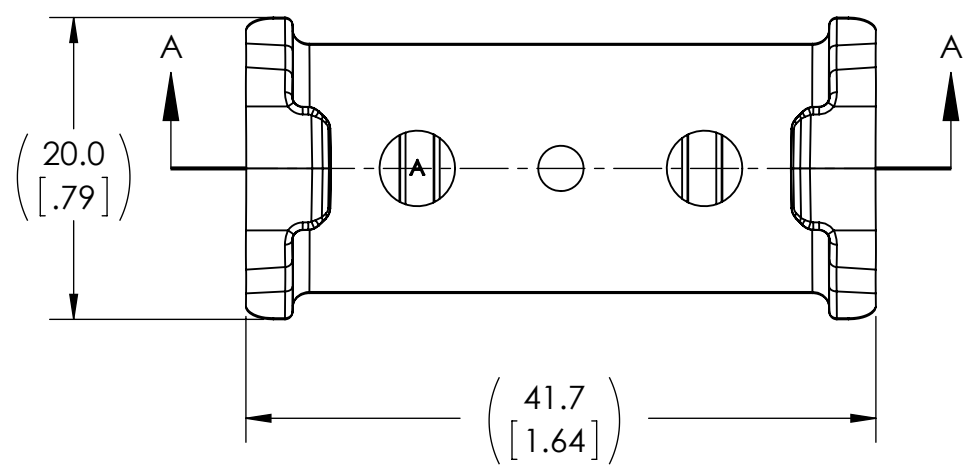
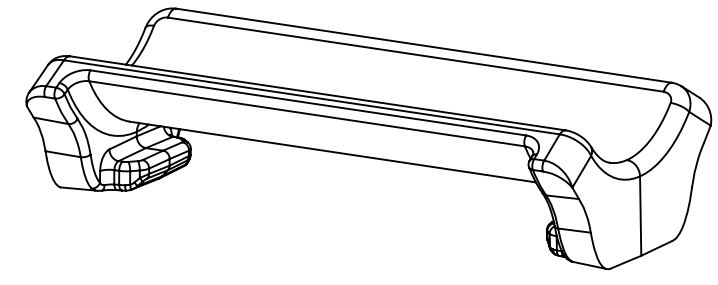
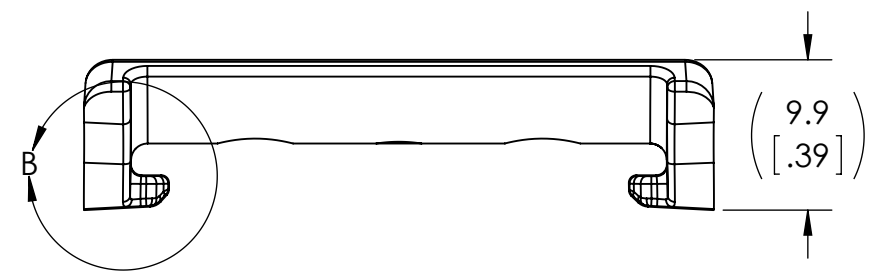
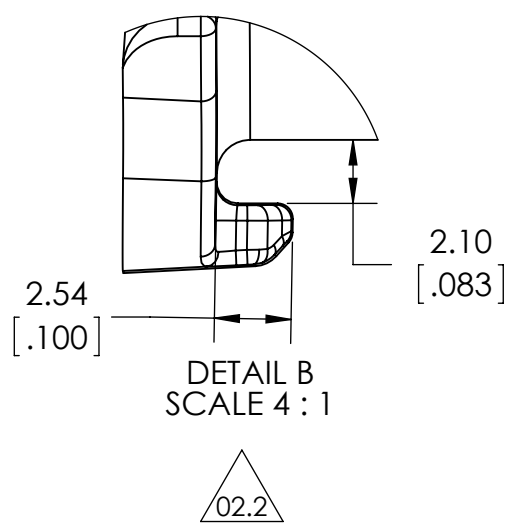


Revision level			Revision Record	Changed	Date	Approved	Date
Drawing	State	Part					
02.2	Design Release	A	SEE ECN# 013422	MHT	4/20/2016	KAC	4/20/2016



02.2

PERFORMANCE REQUIREMENT:
 1. ASSEMBLE FLEXIBLE INSERT INTO CLAMP AS SHOWN ABOVE. INSERT SHOULD NOT DISENGAGE WHEN SHAKEN BY HAND.

Notes

- USED WITH RCB SERIES RATCHET P CLAMP
- USE 2 INSERTS PER RCB SERIES RATCHET P CLAMP
- MAXIMUM ALLOWABLE FLASH OR MISMATCH TO BE: 0.25mm

02.2

Material
TPV

Units: millimeters

Dimension without tolerances details to:
 .xxx = ±.013
 .xx = ±.13
 .x = ±.3
 None = ±.8
 < = ±0.5*

Dimension Formatted mm/[in]

The copyright of this drawing is reserved by HellermannTyton. It is issued on condition that it is not reproduced, copied, or disclosed to a third party, either wholly or in part, without the consent of HellermannTyton.

Drawn: KEP 08/21/2015
 Approved: MHT 08/21/2015

HellermannTyton
 North America
 Email: corp@htamericas.com
 Web: www.hellermann.tyton.com

Article/Type-No: RCINSERTB
 Title: SOFT INSERT B - FOR SIZE B RATCHET P CLAMP
 Drawing-No: 15-0341-010-CSU
 Production : Phase

Scale: 2:1
 Project Number: PRP15-0341
 Format: B
 Sheet: 1/1