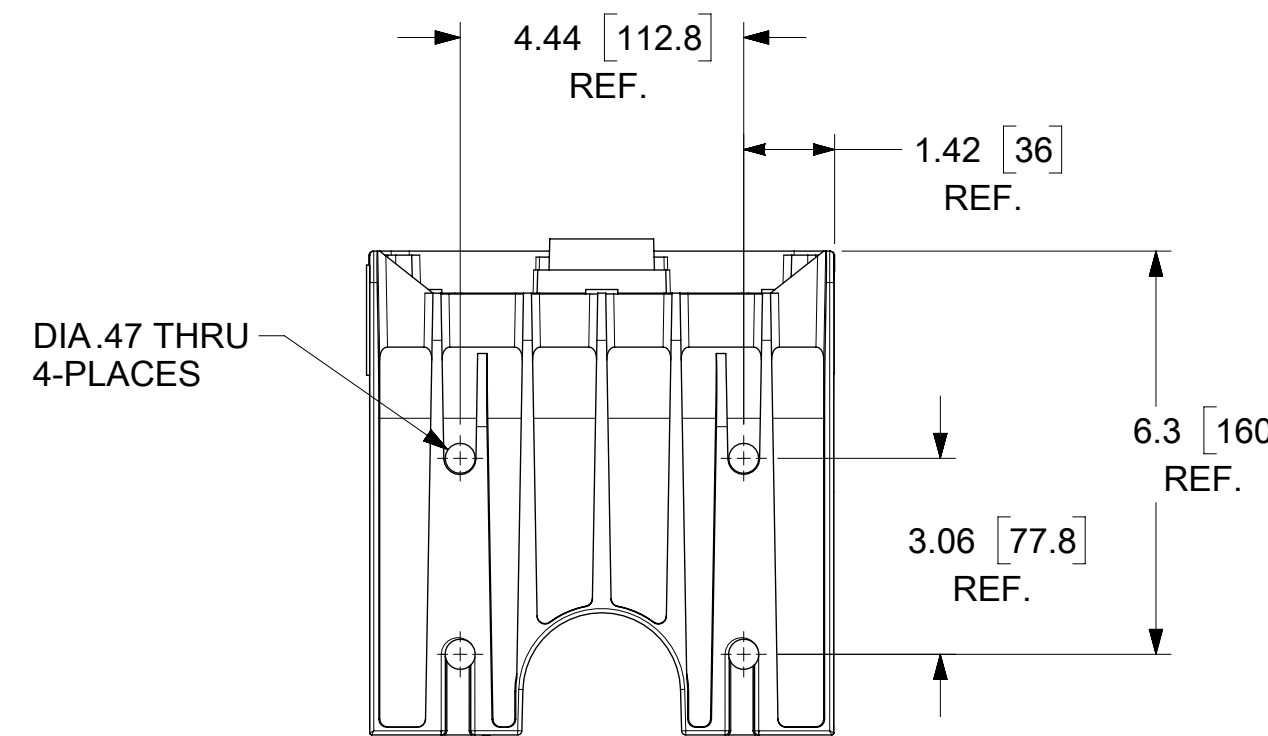
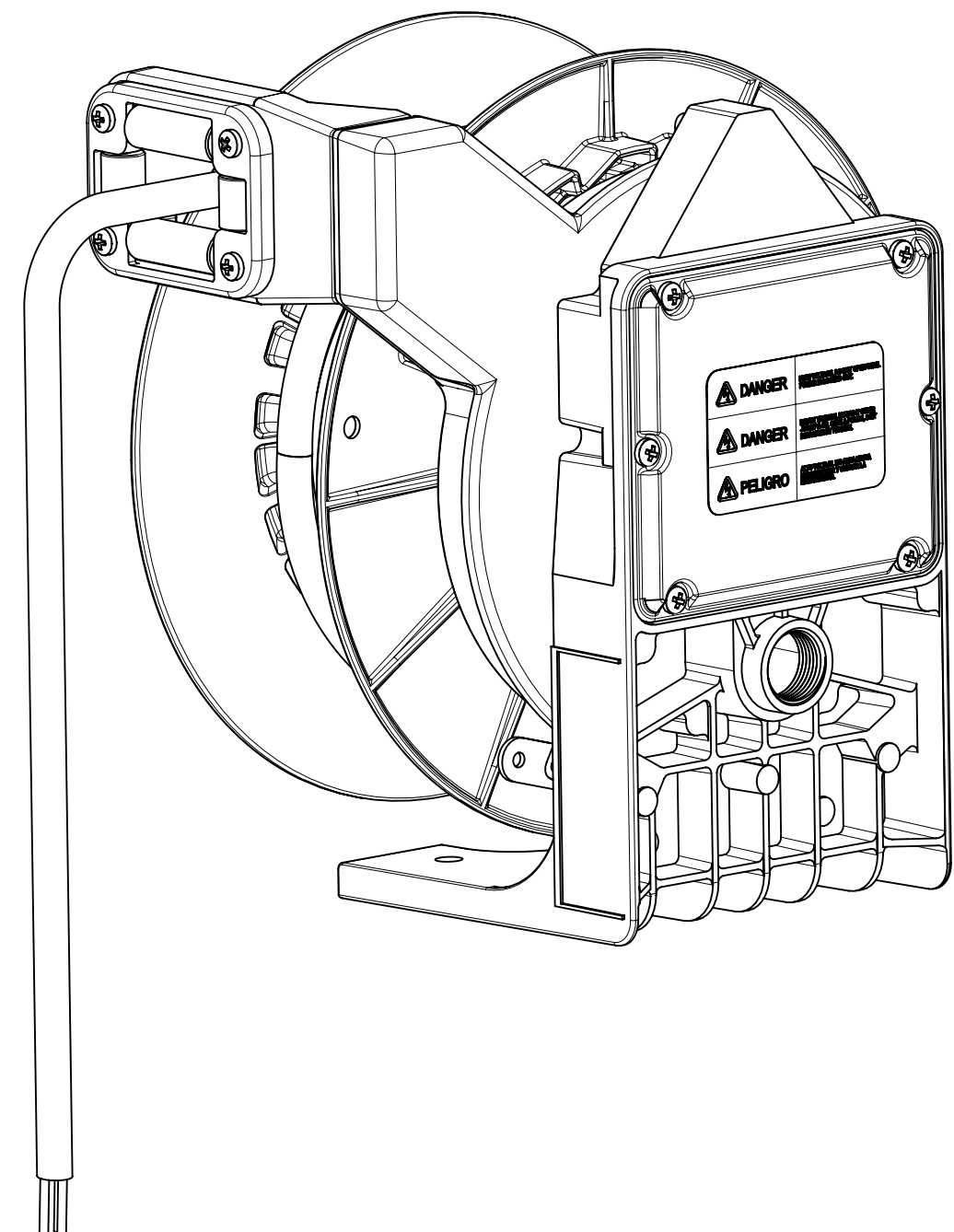
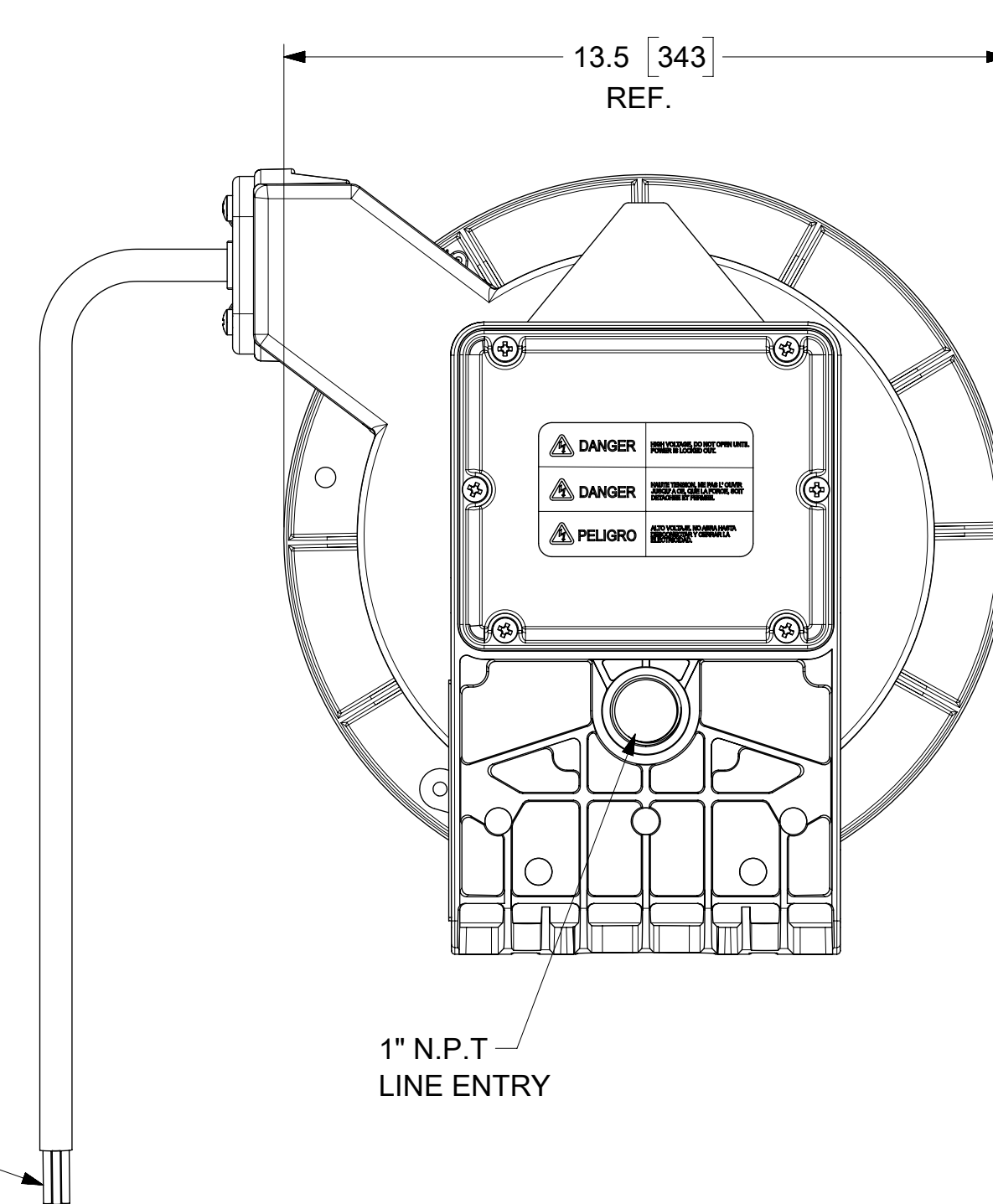
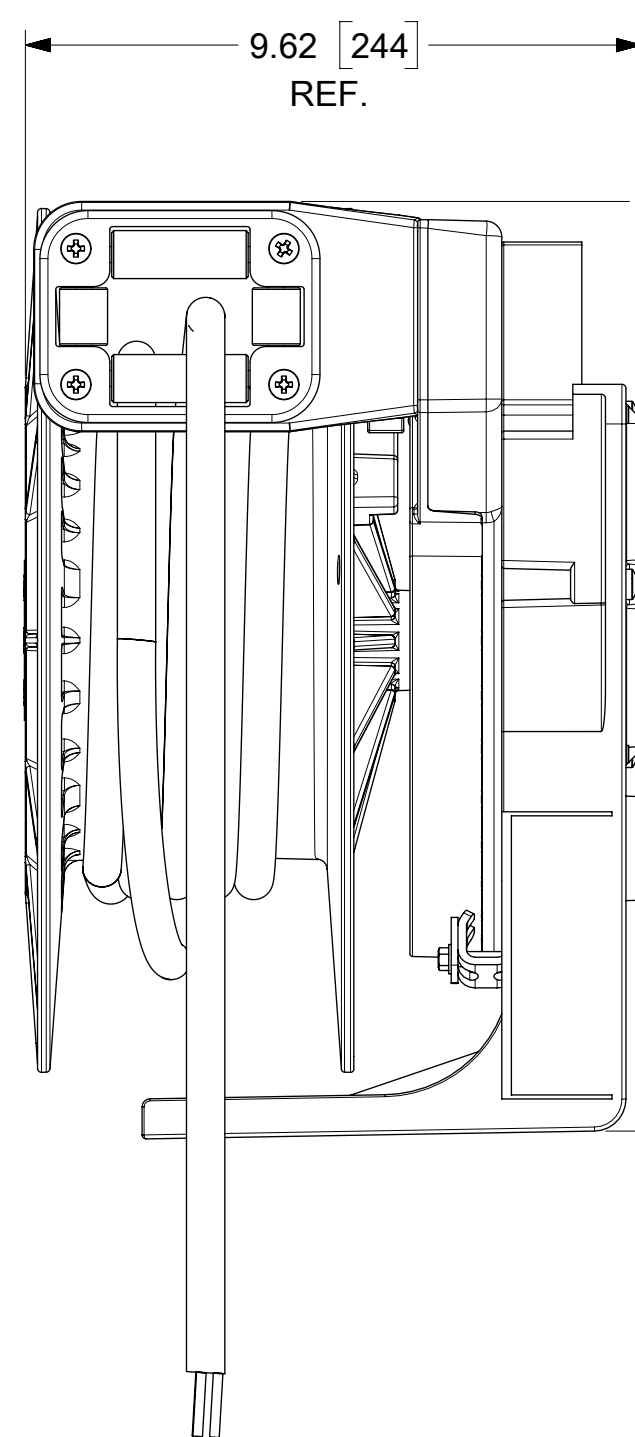


ORDER NO	130083-0242
WOODHEAD ENG. NO	9253
WIRE GAUGE	14
CONDUCTORS	3
AMPERAGE	13A
WORKING CORD	25 FT. YELLOW
CORD TYPE	SOOW
CONSTRUCTION	HEAVY WALL CAST ALUMINUM
PAINT	YELLOW POWDER COAT
REEL ENCLOSURE RATING	NEMA 4 INDOOR / OUTDOOR
RETRACTION WEIGHT	4.0 LB [1.8 KG]



BOTTOM VIEW

- NOTES:**
1. CABLE GUIDE IS ADJUSTABLE EVERY 5 DEGREES OVER 270 DEGREE ARC.
 2. RATCHET LOCK IS EASY TO DISENGAGE FOR CONSTANT TENSION.
 3. REEL CANNOT BE "LOCKED OUT" AT FULL EXTENSION.
 4. BALL STOP IS OPTIONAL: ORDER No. 130226-4374 / WOODHEAD ENG. No. 9521

FUNCTIONAL SYMBOLS	THIS DRAWING CONTAINS INFORMATION THAT IS PROPRIETARY TO MOLEX ELECTRONIC TECHNOLOGIES, LLC AND SHOULD NOT BE USED WITHOUT WRITTEN PERMISSION			
	DIMENSION UNITS	SCALE	CURRENT REV DESC: RELEASE CUSTOMER DRAWING	
$F_A = 0$	INCH/MM	NTS	<p>molex</p> <p>CABLE REEL - INDUSTRIAL DUTY 25' #14-3 SOOW</p> <p>PRODUCT CUSTOMER DRAWING</p> <p>DOCUMENT NUMBER: 1300830242 DOC TYPE: PSD DOC PART: 000 REVISION: A</p>	
$F_C = 0$	GENERAL TOLERANCES (UNLESS SPECIFIED)			
$F_D = 0$				
DIVISIONAL SYMBOLS	MM	INCH		
	4 PLACES ±	±		
	3 PLACES ±	± 0.005		
	2 PLACES ±	± 0.01		
	1 PLACE ±	± 0.02		
	0 PLACES ±	±		
	ANGULAR TOL	± 0.5°		
	DRAFT WHERE APPLICABLE MUST REMAIN WITHIN DIMENSIONS		<p>EC NO: 674250</p> <p>DRWN: VHANDI 2020/07/15</p> <p>CHK'D: DSOPPIN 2022/05/11</p> <p>APPR: HKNEELAND 2022/05/13</p> <p>INITIAL REVISION:</p> <p>DRWN: VHANDI 2020/07/15</p> <p>APPR: HKNEELAND 2022/05/13</p>	
	THIRD ANGLE PROJECTION	DRAWING	SERIES	MATERIAL NUMBER
		C-SIZE	130083	SEE TABLE
				CUSTOMER
				GENERAL MARKET
				SHEET NUMBER
				1 OF 1