

PART NUMBER LEGEND

WW5030F09M0108

POLES →

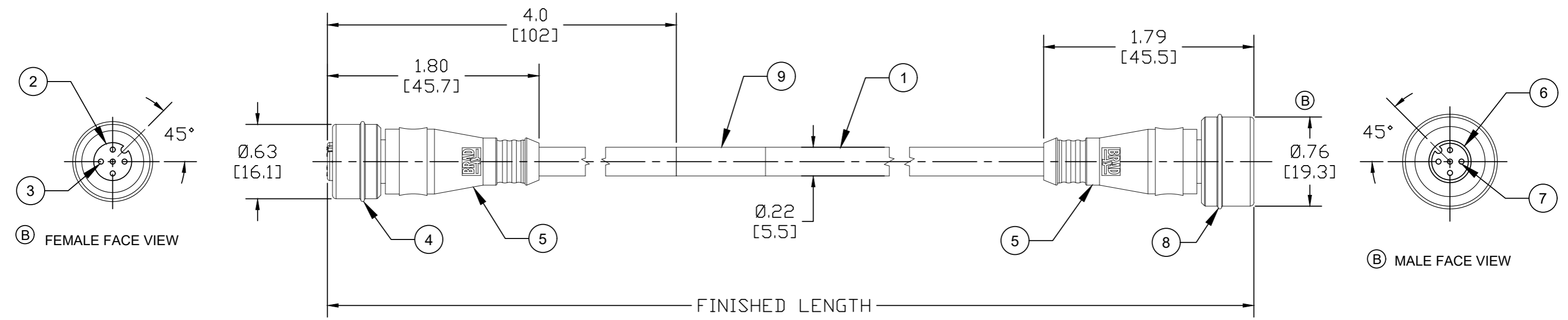
SS SHELL →

WIRE TYPE →
22 AWG PVC

FINISHED LENGTH:
M005= 0.5 METER
M010= 1 METER
M100= 10 METER

CABLE LENGTH TOLERANCES

<.3M [1FT]:	+19mm-0 [+ .75in-0]
.3 - .9M [1 - 3FT]:	+44.5mm-0 [+1.75in-0]
.9 - 1.8M [3 - 6FT]:	+55.6mm-0 [+2.19in-0]
1.8 - 3.7M [6 - 12FT]:	+88.9mm-0 [+3.50in-0]
3.7 - 7.3M [12 - 24FT]:	+165.1mm-0 [+6.50in-0]
7.3-14.6M [24 - 48FT]:	+317.5mm-0 [+12.50in-0]
14.6 - 30.5M [48-100FT]:	+622.3mm-0 [+24.50in-0]
OVER 30M [100FT]	+2% OF FINISHED LENGTH



ITEM	DESCRIPTION	MATERIAL	FINISH
9	WRAP LABEL	VINYL	BLACK/YELLOW
8	COUPLING SLEEVE, MALE	ST. STEEL	
7	CONTACT PIN	COPPER ALLOY	GOLD PLATED
6	MALE INSERT	NYLON	BLACK
5	OVERMOLDS	TPC	YELLOW
4	COUPLING SLEEVE, FEMALE	ST. STEEL	
3	CONTACT SOCKET	COPPER ALLOY	GOLD PLATED
2	FEMALE INSERT	NYLON	BLACK
1	CABLE, 22 AWG	PVC JACKET	YELLOW

NOTES:

- MATERIAL: AS NOTED
- FINISH: AS NOTED
- ELECTRICAL:
VOLTAGE: 250V
CURRENT: 4A
- TEMP RATING: -20° TO +105°C
- PROTECTION: IP67 (WHEN MATED)
- COUPLING TYPE: ULTRA-LOCK
- O-RING SEAL MATERIAL: EPDM
- CSA CERTIFIED PER FILE: LR6837
- ALL DIMS ARE FOR REFERENCE UNLESS NOTED OTHERWISE

PART NO.	ENGINEERING NO.	FINISHED LENGTH
1200800260	WW5030F09M0038	0.3M [11.8in]
1200800262	WW5030F09M0108	1.0M [3FT,3in]
1200800264	WW5030F09M0308	3.0M [9FT,10in]

FUNCTIONAL SYMBOLS	THIS DRAWING CONTAINS INFORMATION THAT IS PROPRIETARY TO MOLEX ELECTRONIC TECHNOLOGIES, LLC AND SHOULD NOT BE USED WITHOUT WRITTEN PERMISSION		CURRENT REV DESC: CORRECT KEY ORIENTATION FOR FACE VIEWS, OVERMOLD WAS PVC, Ø.76 WAS .78, UPDATE BORDER	
	DIMENSION UNITS	SCALE		
	INCH/MM	1:1		
DIVISIONAL SYMBOLS	GENERAL TOLERANCES (UNLESS SPECIFIED)		EC NO: 713985	
			DRWN: RSTONE 2022/07/12	
	4 PLACES	±----	CHK'D: MZIELINSKI 2022/07/20	
	3 PLACES	±----	APPR: BWOODMAN 2022/07/27	
	2 PLACES	±----	INITIAL REVISION:	
	1 PLACE	±----	DRWN: RSTONE 2017/09/20	
	0 PLACES	±----	APPR: BWOODMAN 2017/10/04	
	ANGULAR TOL ± ---- °		THIRD ANGLE PROJECTION	
	DRAFT WHERE APPLICABLE MUST REMAIN WITHIN DIMENSIONS		DRAWING	SHEET
			B-SIZE	120080
DOCUMENT NUMBER		DOC TYPE/DOC PART/REVISION		
SD-120080-085		PSD 001		B
MATERIAL NUMBER		CUSTOMER		SHEET NUMBER
		GENERAL MARKET		1 OF 1