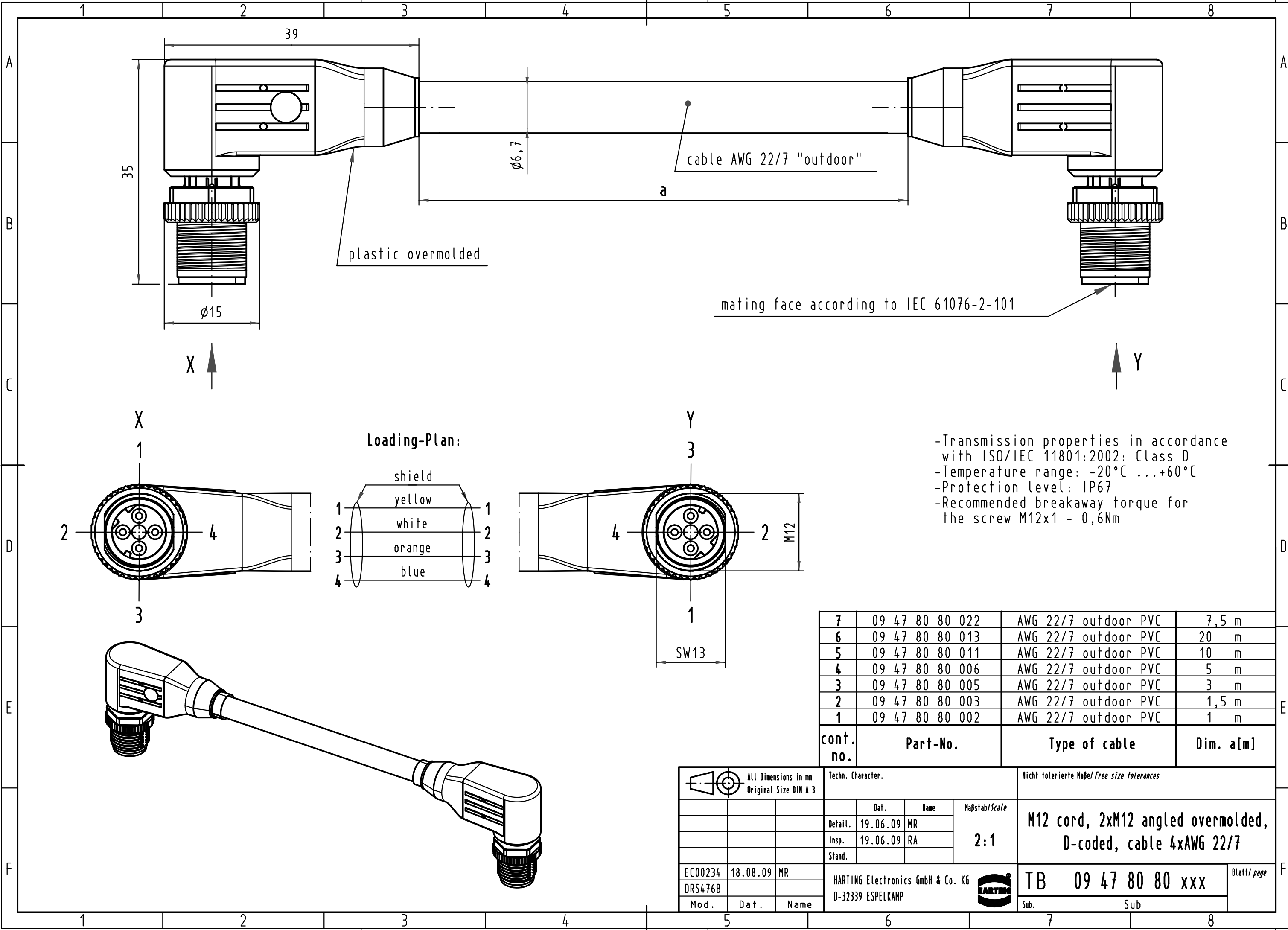


Alle Rechte vorbehalten/ All rights reserved



- Transmission properties in accordance with ISO/IEC 11801:2002: Class D
- Temperature range: -20°C ...+60°C
- Protection level: IP67
- Recommended breakaway torque for the screw M12x1 - 0,6Nm

| 7 | 09 47 80 80 022 | AWG 22/7 outdoor PVC | 7,5 m |
|-----------|-----------------|----------------------|-----------|
| 6 | 09 47 80 80 013 | AWG 22/7 outdoor PVC | 20 m |
| 5 | 09 47 80 80 011 | AWG 22/7 outdoor PVC | 10 m |
| 4 | 09 47 80 80 006 | AWG 22/7 outdoor PVC | 5 m |
| 3 | 09 47 80 80 005 | AWG 22/7 outdoor PVC | 3 m |
| 2 | 09 47 80 80 003 | AWG 22/7 outdoor PVC | 1,5 m |
| 1 | 09 47 80 80 002 | AWG 22/7 outdoor PVC | 1 m |
| cont. no. | Part-No. | Type of cable | Dim. a[m] |

| | | | | | | | | | |
|-----------------------------------------------|----------|------|-----------------------------------|-------------|-----------------------------|-------------------------------------------------------------------------|---------------------------|-----|-------------|
| All Dimensions in mm Original Size DIN A 3 | | | Techn. Character. | | | Nicht tolerierte Maßel/Free size tolerances | | | |
| | | | Dat. | Name | Maßstab/Scale 2:1 | M12 cord, 2xM12 angled overmolded, D-coded, cable 4xAWG 22/7 | | | |
| | | | Detail. | 19.06.09 MR | | | | | |
| | | | Insp. | 19.06.09 RA | | | | | |
| | | | Stand. | | | | | | |
| EC00234 | 18.08.09 | MR | HARTING Electronics GmbH & Co. KG | | | | TB 09 47 80 80 xxx | | Blatt/ page |
| DRS476B | | | D-32339 ESPELKAMP | | | | Sub. | Sub | |
| Mod. | Dat. | Name | | | | | | | |