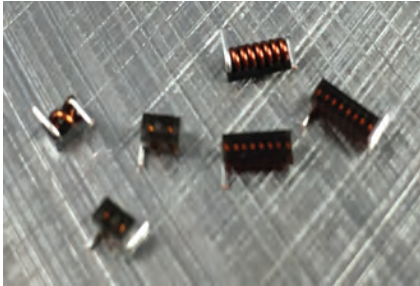




# Surface Mount Air Core Inductors SMAC10 & 15

Dimensions:  $\frac{\text{Inches}}{\text{(mm)}}$



### Features

- Small low profile air core design
- Excellent for high Q applications
- High SRF's for high frequency applications
- Available in tight tolerances
- Flat top cap for pick and place assembly

### Electrical

**Impedance range:** 1.65nH to 12.55nH

**Tolerance:** 1.65nH 10% only, 2.55nH available in 5%, 3.85nH to 12.55nH available in 2%

**Test Frequency:** 800MHz

**Operating Temp:** -40°C to +125°C

### Test Equipment

**(L/Q):** HP4291B with HP16193

**(SRF):** HP8753E or HP8720D

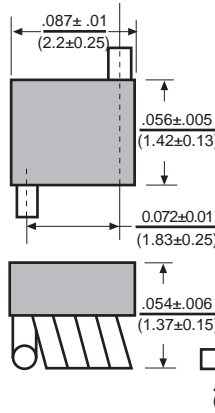
### Physical

**Packaging:** 1000 pieces per 7" reel

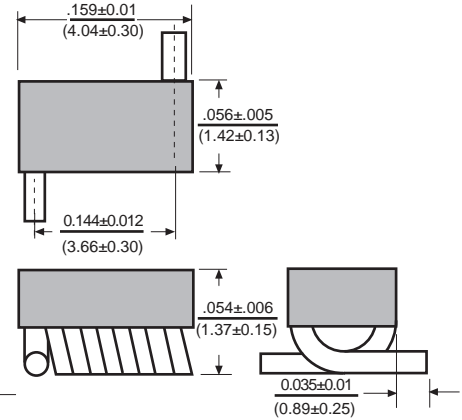
2000 pieces per 7" reel for SMAC15-10( )-RC only

**Marking:** None

SMAC10

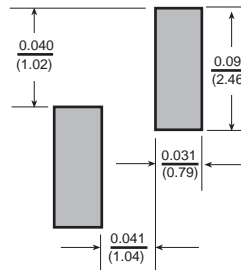


SMAC15

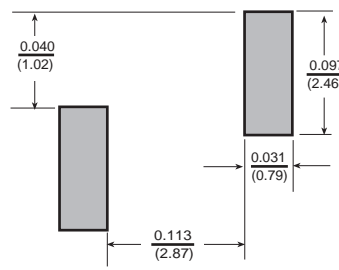


### Nominal Footprint

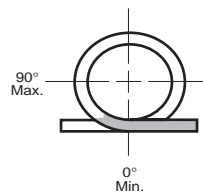
SMAC10



SMAC15



### Tinned Length



Allied Part Number	Turns	Inductance (nH)	Q Min.	Test Freq. (MHz)	SRF Min. (GHz)	DCR Max. (mΩ)	IDC A (Max.)
SMAC10-2K-RC	2	1.65	100	800	10.2	4.0	1.6
SMAC10-3J-RC	3	2.55	100	800	8.2	5.0	1.6
SMAC10-4( )-RC	4	3.85	100	800	7.5	6.0	1.6
SMAC10-5( )-RC	5	5.45	100	800	7.0	8.0	1.6
SMAC15-6( )-RC	6	5.60	100	800	6.5	9.0	1.6
SMAC15-7( )-RC	7	7.15	100	800	6.0	10.0	1.6
SMAC15-8( )-RC	8	8.80	100	800	6.0	12.0	1.6
SMAC15-9( )-RC	9	9.85	100	800	5.2	13.0	1.6
SMAC15-10( )-RC	10	12.55	100	800	4.6	14.0	1.6

To complete part number insert tolerance designator: G = ±2%, J = ±5%, K = ±10%

All specifications subject to change without notice.