



c

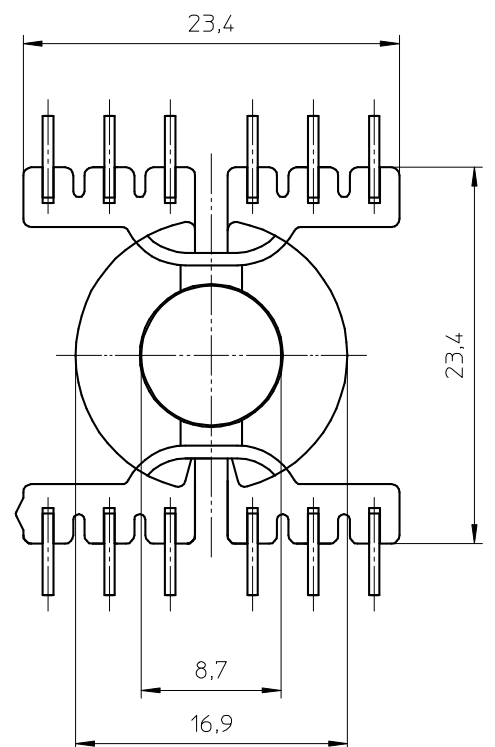
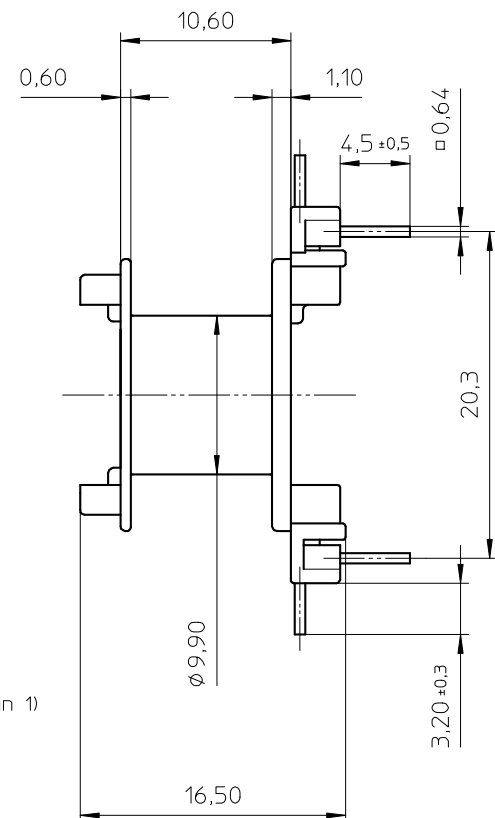
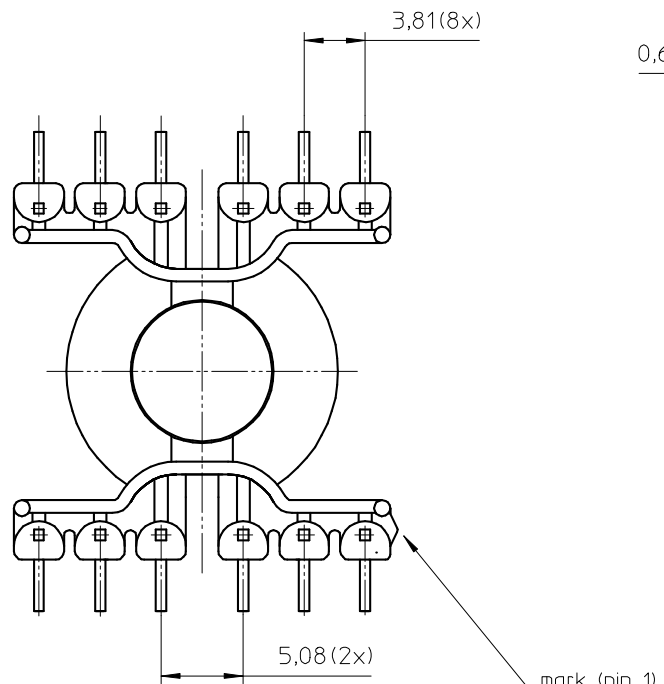


d

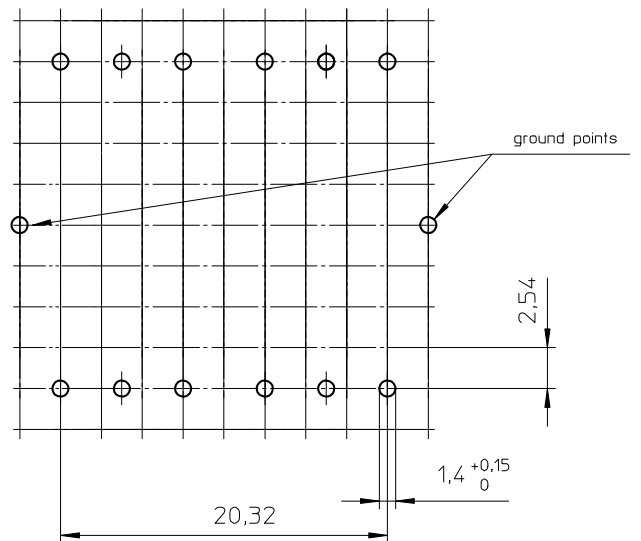


e

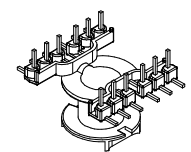
f



PROPOSED
HOLE PATTERN :



Coil former material: Rynite FR 530 (PET), glass-reinforced.
 UL file number: E41938 - UL94V-0.
 Pin material: Copper-plated steel wire - Sn plated.
 Max. operating temp.: acc. to IEC 60 085 class F, 155°C.
 Resistance to soldering heat: acc. to IEC 60 068-2-20 Part 2, Test Tb, method 1B, 350°C-3.5s
 Solderability: acc. to IEC 60 068-2-20 Part 2, Test Ta, method 1, 235°C-2s
 Min. winding area: 31 mm².
 Mean length of turn: 42 mm.



| | | | | | |
|-------------------|----------------------|------------------|----------------|-----------------------------|------------|
| CLASSNO. | CPV-RM8/I-1S-12PD-TZ | | 4322 021 06651 | | 2007-01-30 |
| NAME NAAM | A. Woitasz | SUPERS. VERV. | 001 | SP/SH BL/BL | 112 - 001 |
| MPA | CHECK CONTR. | DAT. | 2007-01-30 | Property of Eigenaam van | 010 |
| | | | | | A3 |
| © FERROXCUBE 2000 | | | | | |