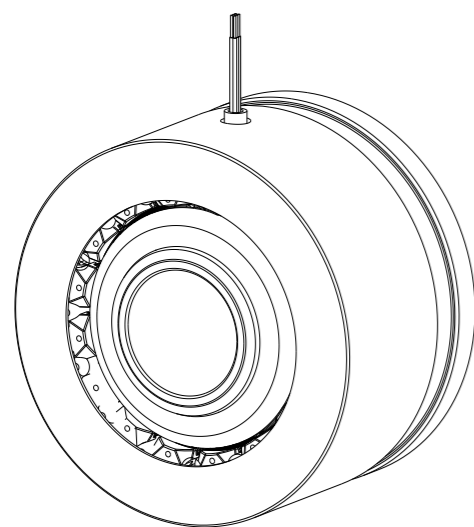
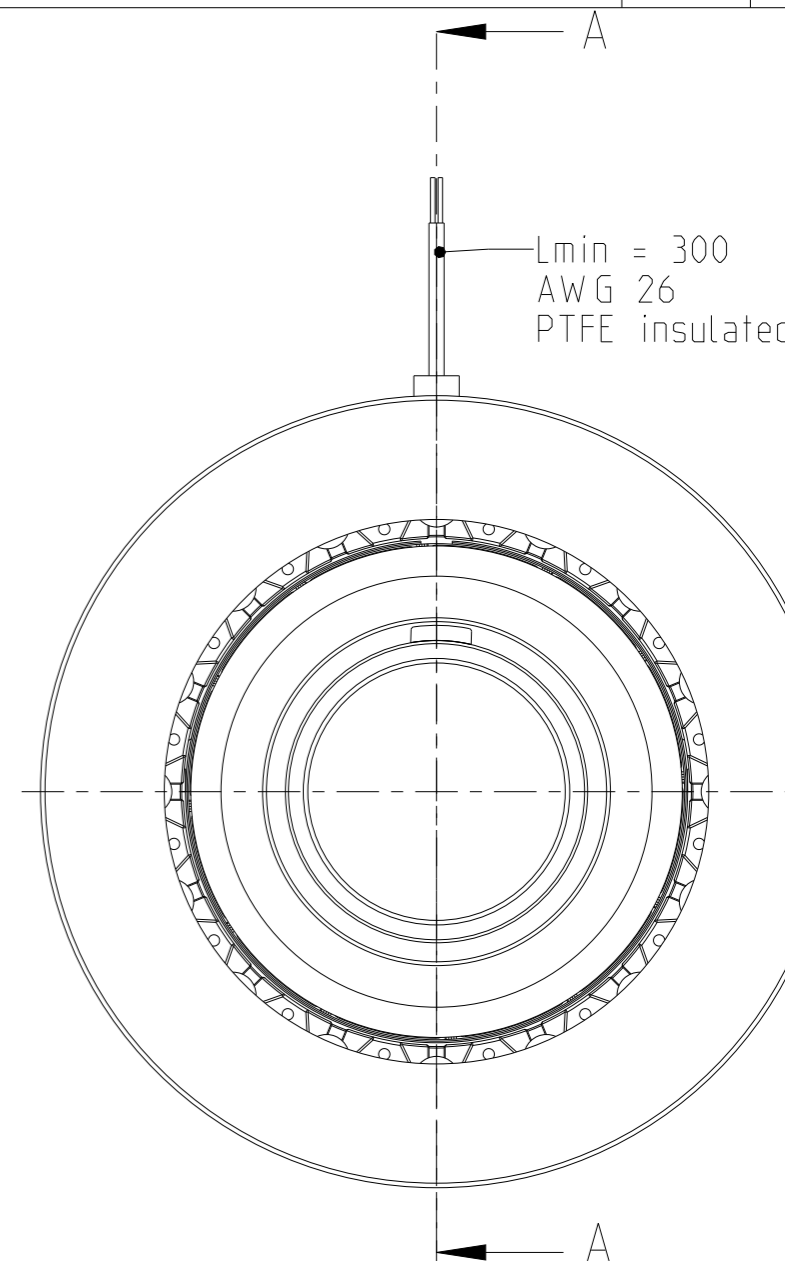
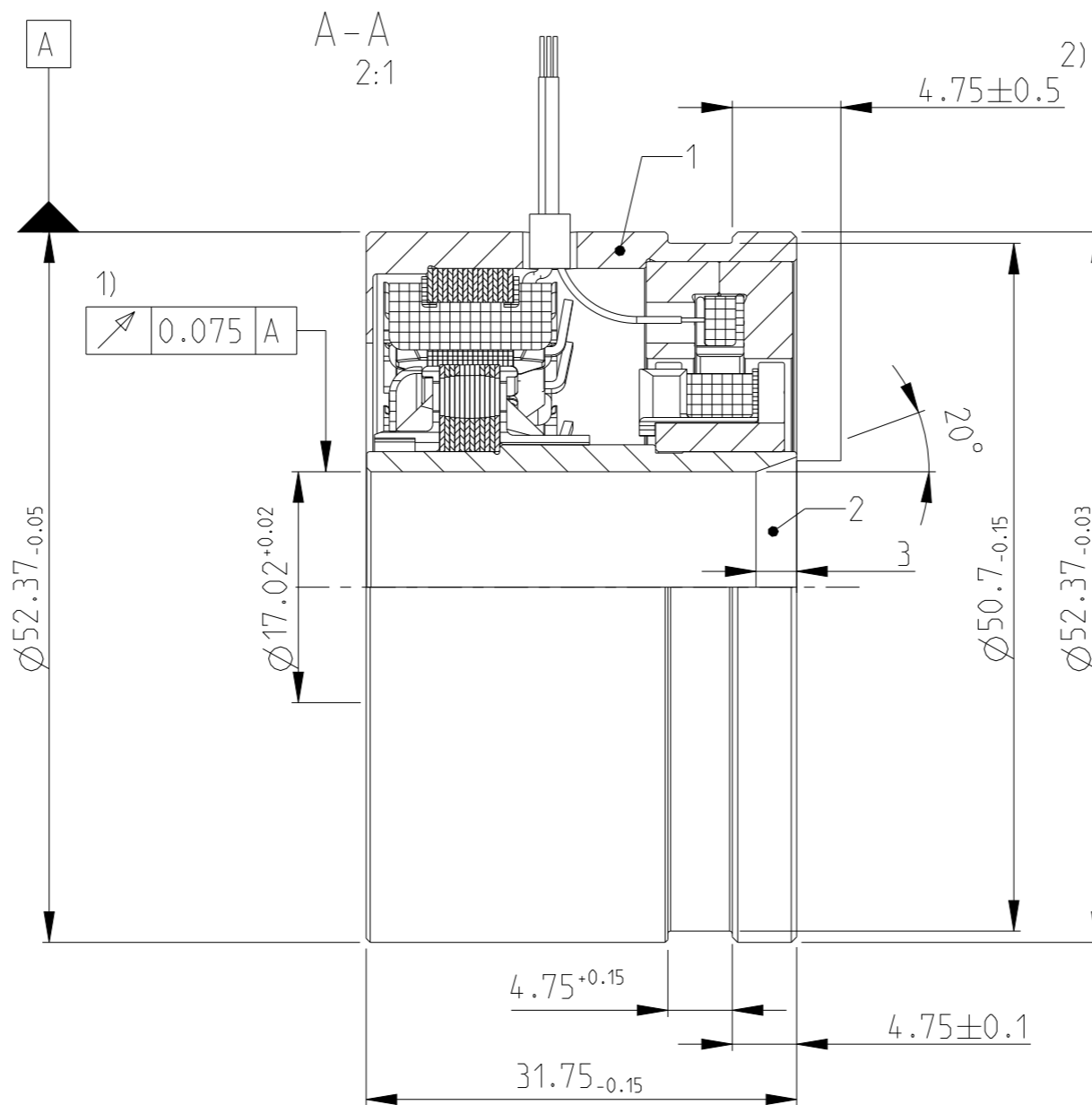


P	LTR	DESCRIPTION	DATE	DWN	APVD
	A2	INITIAL RELEASE	01JULY2015	GCM	PL
	A3	REVISED PER ECR-21-121900	06DEC2021	GK	HB

Signal	Cable color
S1(cos+)	Red
S2(Sin-)	Yellow
S3(cos-)	Black
S4(Sin+)	Blue
R1(Ref+)	Red/white
R2(Ref-)	Yellow/white



1:1

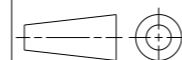


1) Total runout when installed
 2) Axial offset

ITEM NO	PARTNUMBER	DESCRIPTION	ITEM NO
1	1-1824344-0	Rotor complete type B8	2
1	1-1824213-0	Gehäuse type B8	1
1-1824452-0	PARTNUMBER	DESCRIPTION	ITEM NO
REVISION OF EACH ASSY NO. (WHEN BLANK, USE DWG. REVISION)			
PARTS LIST			

THIS DRAWING IS A CONTROLLED DOCUMENT.

DIMENSIONS: mm
 TOLERANCES UNLESS OTHERWISE SPECIFIED:



0 PLC ±
 1 PLC ±
 2 PLC ±
 3 PLC ±
 4 PLC ±
 ANGLES ±
 FINISH -

MATERIAL -

DWN GANESH C M 01JULY2015
 CHK P. LERCHENFELD 01JULY2015
 APVD P. LERCHENFELD 01JULY2015
 PRODUCT SPEC -
 APPLICATION SPEC -
 WEIGHT -

Description V23401-T8002-B802

STE TE Connectivity

NAME Massbild Hohlwellendrehmelder
 Dimensional Drawing Resolver
 V23401-T8002-B802

SIZE A3 CAGE CODE 00779 DRAWING NO C-6-1393048-0 RESTRICTED TO -

Customer Drawing SCALE 5:1 SHEET 1 OF 1 REV A3