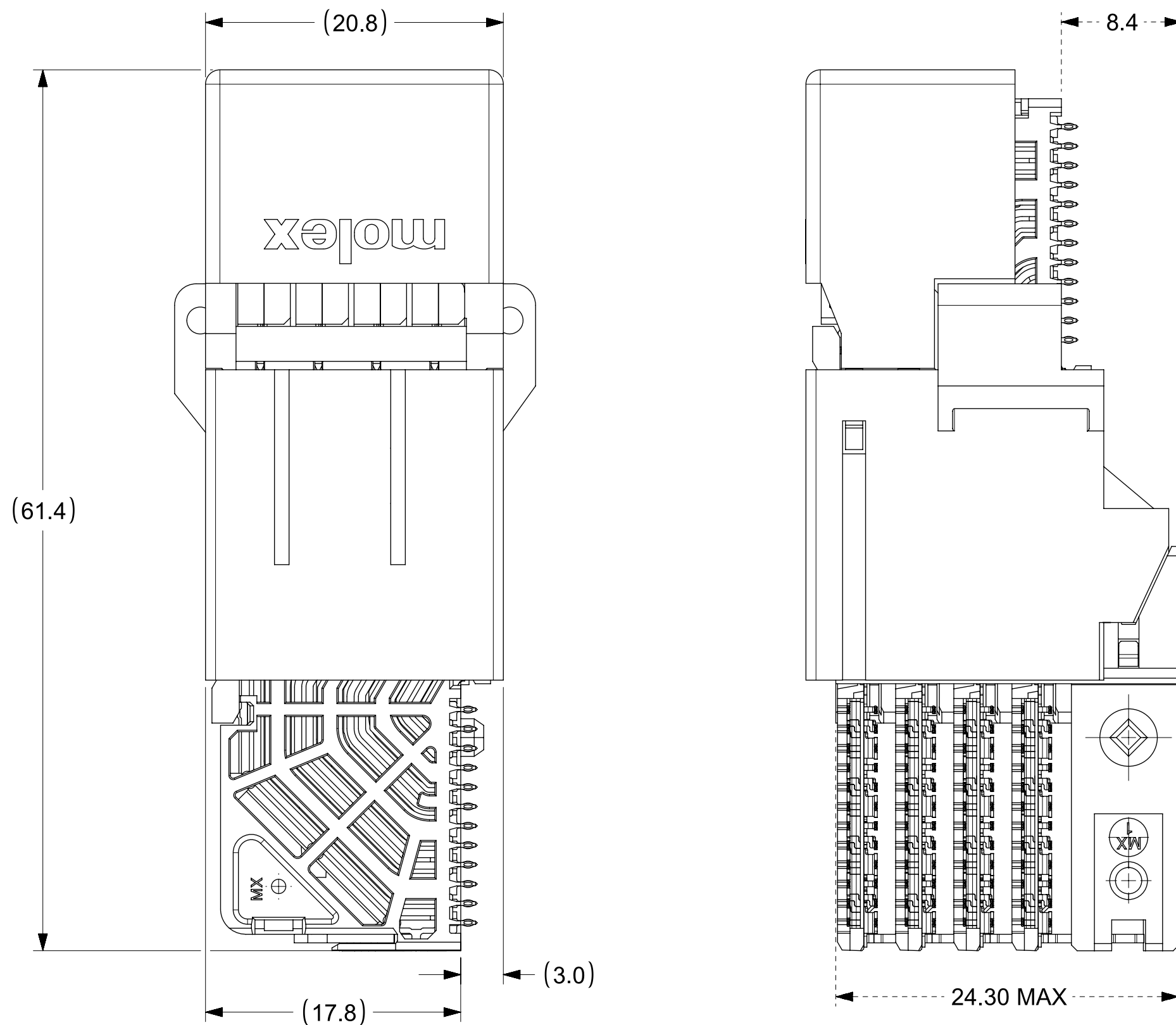


## OD- RAM HOLE PATTERN (CONNECTOR SIDE)

THIS DRAWING CONTAINS INFORMATION THAT IS PROPRIETARY TO MOLEX ELECTRONIC TECHNOLOGIES, LLC AND SHOULD NOT BE USED WITHOUT WRITTEN PERMISSION											
DIMENSION UNITS	SCALE	CURRENT REV DESC: MIGRATED TO NX						molex			
mm	NTS							IMPACT ORTHOGONAL DIRECT 4 PAIR RAM 90 & 270 ASSY BOTTOM GUIDE SALES DWG			
GENERAL TOLERANCES (UNLESS SPECIFIED)		EC NO: 705090 DRWN: MMALLIGEVALU 2018/08/31 CHK'D: VINODM3 2022/02/17 APPR: LZENG 2022/05/13						PRODUCT CUSTOMER DRAWING			
ANGULAR TOL ± 0.5°		INITIAL REVISION: DRWN: JMENDOZA 2012/10/23 APPR: JMENDOZA 2012/12/07						DOCUMENT NUMBER	DOC TYPE	DOC PART	REVISION
4 PLACES ±								SD-171574-0003	PSD	001	B3
3 PLACES ±								MATERIAL NUMBER	CUSTOMER		SHEET NUMBER
2 PLACES ± 0.13								SEE TABLE	GENERAL MARKET		1 OF 4
1 PLACE ± 0.25											
0 PLACES ±											
DRAFT WHERE APPLICABLE MUST REMAIN WITHIN DIMENSIONS		THIRD ANGLE PROJECTION	DRAWING	SERIES	MATERIAL NUMBER		CUSTOMER		SHEET NUMBER		
			C-SIZE	171574							



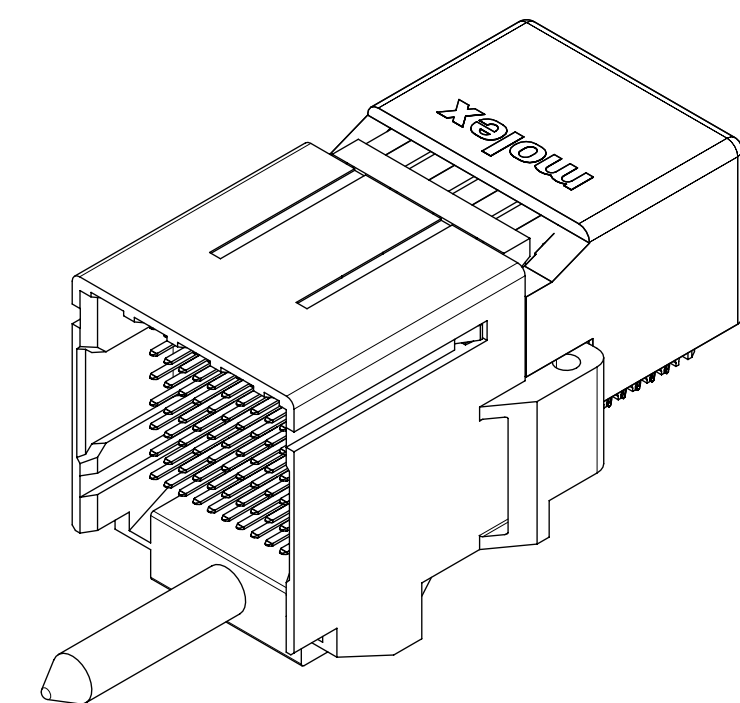
**171574-98\*\***

MODULE TYPE  
9 = BOTTOM GUIDED, TIN

# OF COLUMNS  
8 = 8 COLUMN

PIN LENGTH (P)  
4 = 4.90 (0.46 PTH)  
5 = 5.50 (0.46 PTH)  
7 = 4.90 (0.39 PTH)  
8 = 5.50 (0.39 PTH)

MATE POSITION  
0 = 90 DEGREE  
3 = 270 DEGREE



## MATED DIMENSIONS

(POSITION 90° SHOWN)

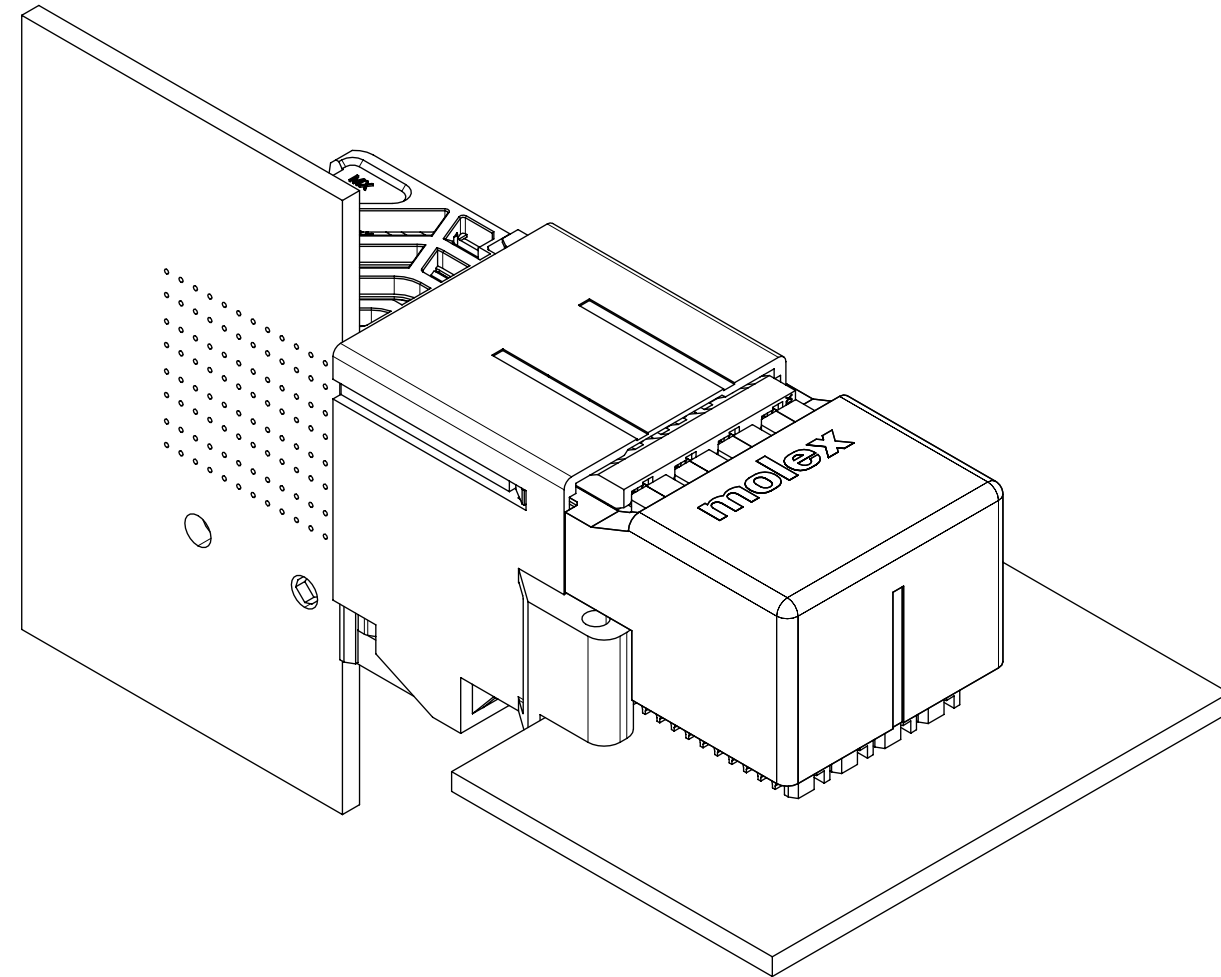
- NOTES:
- MATERIALS: HOUSING - LIQUID CRYSTAL POLYMER (LCP)  
GLASS-FILLED, UL94V-0  
TERMINALS - HIGH PERFORMANCE COPPER ALLOY
  - FINISH: 30μ MIN GOLD IN CONTACT AREA.  
SELECTIVE TIN ON PCB TAILS.  
NICKEL OVERALL.
  - REFER TO MOLEX PRODUCT SPECIFICATION PS-76060-999  
FOR PERFORMANCE SPECIFICATIONS AND ADDITIONAL PCB INFORMATION.
  - THIS PART CONFORMS TO CLASS B REQUIREMENTS OF  
COSMETIC SPEC PS-45499-002.
  - PACKAGE PER: PK-70873-8021.
  - SEE SHEET 3 FOR ORTHOGONAL PIN MAPPING.
  - REFER TO SHEET 3 AND 4 FOR THE MATING RECEPTACLES.
  - REFER TO MOLEX ROUTING GUIDE AS-76850-990 FOR ADDITIONAL PCB LAYOUT  
AND ROUTING RECOMMENDATIONS.
  - CONNECTORS ARE SUPPLIED WITH TWO 2-32 THREAD FORMING  
SCREWS.
  - THESE DIMENSIONS REPRESENT THE AREA NEEDED TO ACCOMODATE CONNECTOR  
INSERTION AND REPAIR ON THE PC BOARD. THIS IS REFERED TO AS THE  
"CONNECTOR KEEP OUT ZONE" AND DOES NOT REPRESENT THE ACTUAL PERIMETER  
OF THE CONNECTOR.
  - MARKING: LOCATED APPROXIMATELY AS SHOWN, ON BOTTOM OR TOP HOUSING.  
PART NUMBER AND DATE CODE.

THIS DRAWING CONTAINS INFORMATION THAT IS PROPRIETARY TO MOLEX ELECTRONIC TECHNOLOGIES, LLC AND SHOULD NOT BE USED WITHOUT WRITTEN PERMISSION									
DIMENSION UNITS		SCALE		CURRENT REV DESC: MIGRATED TO NX				<b>molex</b>	
mm		NTS							
GENERAL TOLERANCES (UNLESS SPECIFIED)								IMPACT ORTHOGONAL DIRECT 4 PAIR RAM 90 & 270 ASSY BOTTOM GUIDE SALES DWG	
ANGULAR TOL		± 0.5°		EC NO: 705090				PRODUCT CUSTOMER DRAWING	
4 PLACES		±		DRWN: MMALLIGEVALU		2018/08/31		DOCUMENT NUMBER	
3 PLACES		±		CHK'D: VINODM3		2022/02/17		SD-171574-0003	
2 PLACES		± 0.13		APPR: LZENG		2022/05/13		DOC TYPE DOC PART REVISION	
1 PLACE		± 0.25		INITIAL REVISION:				PSD 001 B3	
0 PLACES		±		DRWN: JMENDOZA		2012/10/23		MATERIAL NUMBER	
				APPR: JMENDOZA		2012/12/07		CUSTOMER	
DRAFT WHERE APPLICABLE MUST REMAIN WITHIN DIMENSIONS				THIRD ANGLE PROJECTION		DRAWING		SHEET NUMBER	
				C-SIZE		SERIES		GENERAL MARKET	
				171574				2 OF 4	

DOCUMENT STATUS	P1	RELEASE DATE	2022/05/13	03:05:10
-----------------	----	--------------	------------	----------

# ORTHO POSITION 90°

OD-RAM PIN A1 MAPS  
TO RAF PIN M8



REFER TO MOLEX SALES DRAWING SD-76850-004  
FOR MATING RECEPTACLES.


## ORTHO PIN MAPPING

POSITION 90° (OD RAM - RAF)

(A1-M8)	A2-L8	(A3-J8)	A4-H8	(A5-F8)	A6-E8	(A7-C8)	A8-B8
B1-M7	B2-K8	B3-J7	B4-G8	B5-F7	B6-D8	B7-C7	B8-A8
C1-L7	(C2-K7)	C3-H7	(C4-G7)	C5-E7	(C6-D7)	C7-B7	(C8-A7)
(D1-M6)	D2-L6	(D3-J6)	D4-H6	(D5-F6)	D6-E6	(D7-C6)	D8-B6
E1-M5	E2-K6	E3-J5	E4-G6	E5-F5	E6-D6	E7-C5	E8-A6
F1-L5	(F2-K5)	F3-H5	(F4-G5)	F5-E5	(F6-D5)	F7-B5	(F8-A5)
(G1-M4)	G2-L4	(G3-J4)	G4-H4	(G5-F4)	G6-E4	(G7-C4)	G8-B4
H1-M3	H2-K4	H3-J3	H4-G4	H5-F3	H6-D4	H7-C3	H8-A4
J1-L3	(J2-K3)	J3-H3	(J4-G3)	J5-E3	(J6-D3)	J7-B3	(J8-A3)
(K1-M2)	K2-L2	(K3-J2)	K4-H2	(K5-F2)	K6-E2	(K7-C2)	K8-B2
L1-M1	L2-K2	L3-J1	L4-G2	L5-F1	L6-D2	L7-C1	L8-A2
M1-L1	(M2-K1)	M3-H1	(M4-G1)	M5-E1	(M6-D1)	M7-B1	(M8-A1)

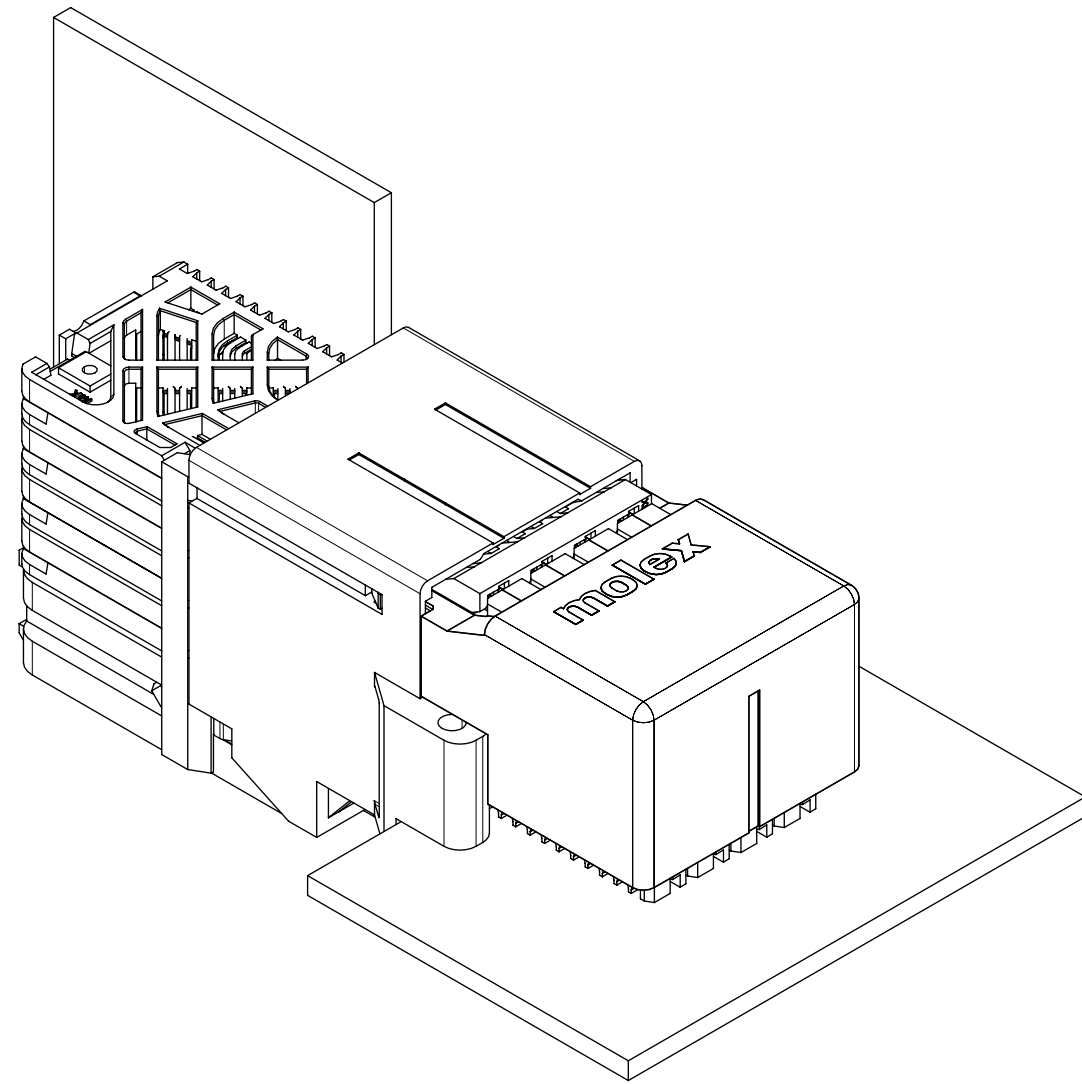
NOTE: PINOUTS SHOWN IN BALLOONS ARE GROUNDS.  
GROUND PATHS ARE NOT DISCRETE CIRCUITS.

MATERIAL NUMBER	# OF COLUMNS	# OF DIFF PAIR	MATE POSITION	DIM P	PTH Ø
171574-9804	8	32	90	4.90	0.46±0.05
171574-9805	8	32	90	5.50	0.46±0.05
171574-9807	8	32	90	4.90	0.39±0.05
171574-9808	8	32	90	5.50	0.39±0.05

THIS DRAWING CONTAINS INFORMATION THAT IS PROPRIETARY TO MOLEX ELECTRONIC TECHNOLOGIES, LLC AND SHOULD NOT BE USED WITHOUT WRITTEN PERMISSION										
DIMENSION UNITS	SCALE	CURRENT REV DESC: MIGRATED TO NX								
mm	NTS									
GENERAL TOLERANCES (UNLESS SPECIFIED)		EC NO: 705090				IMPACT ORTHOGONAL DIRECT 4 PAIR RAM 90 & 270 ASSY BOTTOM GUIDE SALES DWG				
ANGULAR TOL ± 0.5°		DRWN: MMALLIGEVALU 2018/08/31								
4 PLACES ±		CHK'D: VINODM3 2022/02/17				PRODUCT CUSTOMER DRAWING				
3 PLACES ±		APPR: LZENG 2022/05/13								
2 PLACES ± 0.13		INITIAL REVISION:				DOCUMENT NUMBER		DOC TYPE	DOC PART	REVISION
1 PLACE ± 0.25		DRWN: JMENDOZA 2012/10/23				SD-171574-0003		PSD	001	B3
0 PLACES ±		APPR: JMENDOZA 2012/12/07				MATERIAL NUMBER		CUSTOMER		SHEET NUMBER
DRAFT WHERE APPLICABLE MUST REMAIN WITHIN DIMENSIONS		THIRD ANGLE PROJECTION		DRAWING	SERIES	SEE TABLE	GENERAL MARKET		3 OF 4	

# ORTHO POSITION 270°

OD-RAM PIN A1 MAPS  
TO RAF PIN A1



REFER TO MOLEX SALES DRAWING SD-76850-002  
FOR MATING RECEPTACLES.

## ORTHO PIN MAPPING

POSITION 270° (OD RAM - RAF)

A1-A1	A2-B1	A3-D1	A4-E1	A5-G1	A6-H1	A7-K1	A8-L1
B1-A2	B2-C1	B3-D2	B4-F1	B5-G2	B6-J1	B7-K2	B8-M1
C1-B2	C2-C2	C3-E2	C4-F2	C5-H2	C6-J2	C7-L2	C8-M2
D1-A3	D2-B3	D3-D3	D4-E3	D5-G3	D6-H3	D7-K3	D8-L3
E1-A4	E2-C3	E3-D4	E4-F3	E5-G4	E6-J3	E7-K4	E8-M3
F1-B4	F2-C4	F3-E4	F4-F4	F5-H4	F6-J4	F7-L4	F8-M4
G1-A5	G2-B5	G3-D5	G4-E5	G5-G5	G6-H5	G7-K5	G8-L5
H1-A6	H2-C5	H3-D6	H4-F5	H5-G6	H6-J5	H7-K6	H8-M5
J1-B6	J2-C6	J3-E6	J4-F6	J5-H6	J6-J6	J7-L6	J8-M6
K1-A7	K2-B7	K3-D7	K4-E7	K5-G7	K6-H7	K7-K7	K8-L7
L1-A8	L2-C7	L3-D8	L4-F7	L5-G8	L6-J7	L7-K8	L8-M7
M1-B8	M2-C8	M3-E8	M4-F8	M5-H8	M6-J8	M7-L8	M8-M8

NOTE: PINOUTS SHOWN IN BALLOONS ARE GROUNDS.  
GROUND PATHS ARE NOT DISCRETE CIRCUITS.

MATERIAL NUMBER	# OF COLUMNS	# OF DIFF PAIR	MATE POSITION	DIM P	PTH Ø
171574-9834	8	32	270	4.90	0.46±0.05
171574-9835	8	32	270	5.50	0.46±0.05
171574-9837	8	32	270	4.90	0.39±0.05
171574-9838	8	32	270	5.50	0.39±0.05

THIS DRAWING CONTAINS INFORMATION THAT IS PROPRIETARY TO MOLEX ELECTRONIC TECHNOLOGIES, LLC AND SHOULD NOT BE USED WITHOUT WRITTEN PERMISSION

DIMENSION UNITS	SCALE	CURRENT REV DESC: MIGRATED TO NX					
mm	NTS						
GENERAL TOLERANCES (UNLESS SPECIFIED)		EC NO: 705090		IMPACT ORTHOGONAL DIRECT 4 PAIR RAM 90 & 270 ASSY BOTTOM GUIDE SALES DWG			
ANGULAR TOL	± 0.5°	DRWN: MMALLIGEVALU 2018/08/31					
4 PLACES	±	CHK'D: VINODM3 2022/02/17		PRODUCT CUSTOMER DRAWING			
3 PLACES	±	APPR: LZENG 2022/05/13					
2 PLACES	± 0.13	INITIAL REVISION:		DOCUMENT NUMBER SD-171574-0003			
1 PLACE	± 0.25	DRWN: JMENDOZA 2012/10/23					
0 PLACES	±	APPR: JMENDOZA 2012/12/07		DOC TYPE DOC PART REVISION PSD 001 B3			
DRAFT WHERE APPLICABLE MUST REMAIN WITHIN DIMENSIONS		THIRD ANGLE PROJECTION	DRAWING				SERIES
			C-SIZE	171574	SEE TABLE	GENERAL MARKET	4 OF 4

DOCUMENT STATUS	P1	RELEASE DATE	2022/05/13 03:05:10
-----------------	----	--------------	---------------------