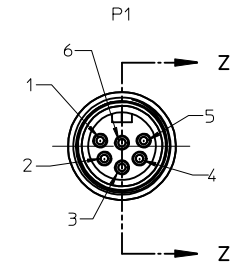
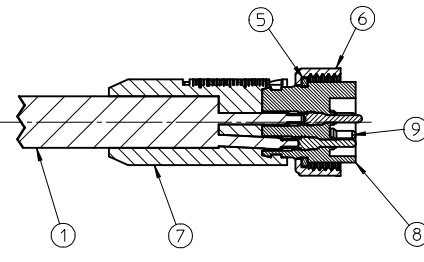


Section Z-Z



PART NUMBER	ENGINEERING NO.	LENGTH
1300110008	226020A01F030	3' 0" +1.75 - 0 [.9M +44.5 - 0]
1300110010	226020A01F060	6' 0" +2.19 - 0 [1.8M +55.6 - 0]
1300110013	226020A01F090	9' 0" +3.50 - 0 [2.7M +88.9 - 0]
1300110016	226020A01F120	12' 0" +3.50 - 0 [3.7M +88.9 - 0]
1300110018	226020A01F150	15' 0" +6.50 - 0 [4.6M +165.1 - 0]
1300110019	226020A01F200	20' 0" +6.50 - 0 [6.1M +165.1 - 0]
1300110022	226020A01F250	25' 0" +12.50 - 0 [7.6M +317.5 - 0]
1300110023	226020A01F300	30' 0" +12.50 - 0 [9.1M +317.5 - 0]
1300110025	226020A01F350	35' 0" +12.50 - 0 [10.7M +317.5 - 0]
1300110026	226020A01F400	40' 0" +12.50 - 0 [12.2M +317.5 - 0]
1300110028	226020A01F500	50' 0" +24.50 - 0 [15.2M +622.3 - 0]
1300110029	226020A01F650	65' 0" +24.50 - 0 [19.8M +622.3 - 0]
1300110031	226020A01F750	75' 0" +24.50 - 0 [22.9M +622.3 - 0]

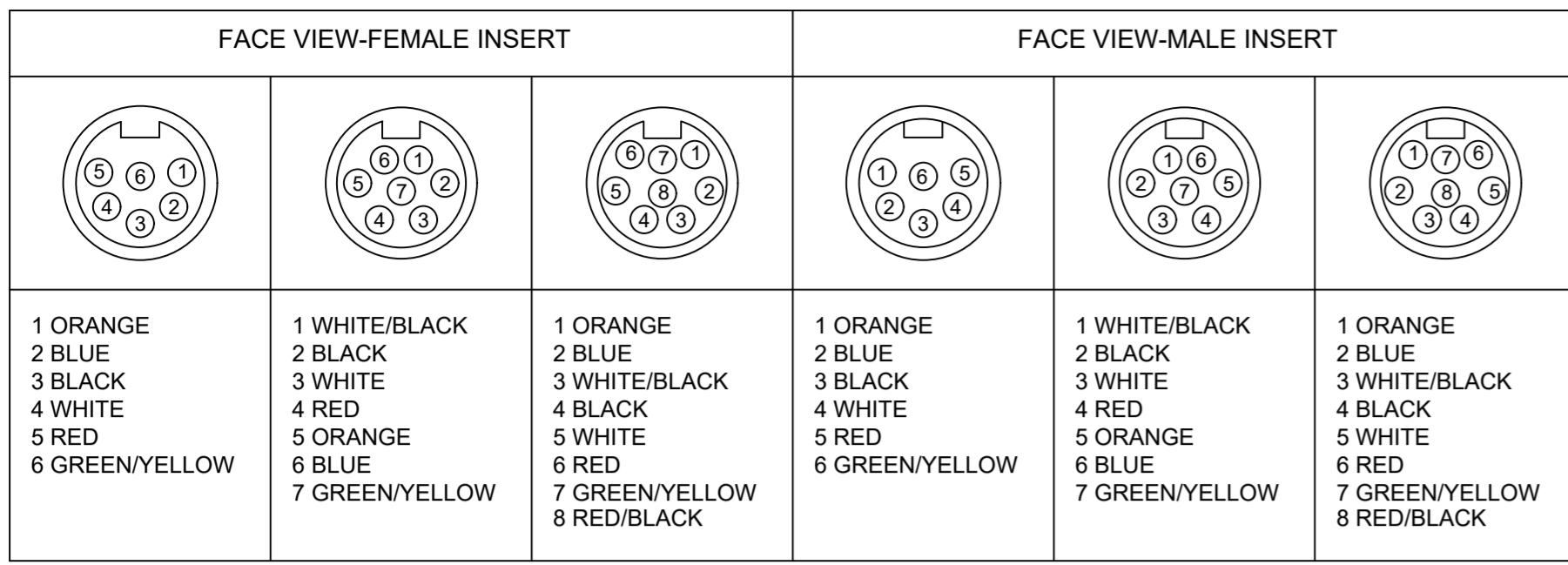
- NOTES:
- MATERIAL: SEE TABLE
 - FINISHES: SEE TABLE
 - CABLE ASSEMBLIES ARE BAGGED SEPARATELY IN POLY BAGS WITH BARCODE LABEL ATTACHED TO OUTSIDE OF BAG
 - WRAP LABEL IS MARKED WITH P/N, DATE CODE VOLTAGE & AMPERAGE
 - MATES WITH: MINI CHANGE, C-SIZE 6 POLE RECEPTACLE
 - ELECTRICAL SPECIFICATIONS:
VOLTAGE RATING: 600V
CURRENT RATING: 8 AMPS
 - ASSEMBLY IS RoHS COMPLIANT

S2		P1
1	ORANGE	1
2	BLUE	2
3	BLACK	3
4	WHITE	4
5	RED	5
6	GREEN YELLOW	6

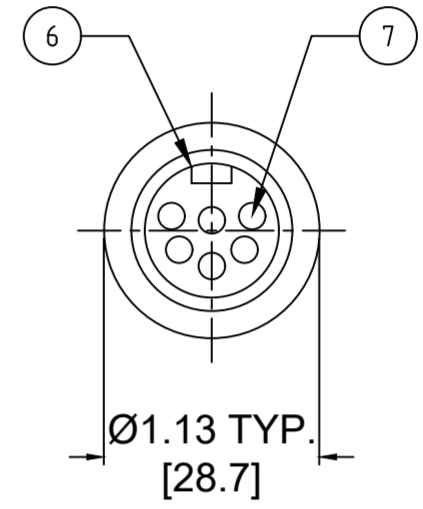
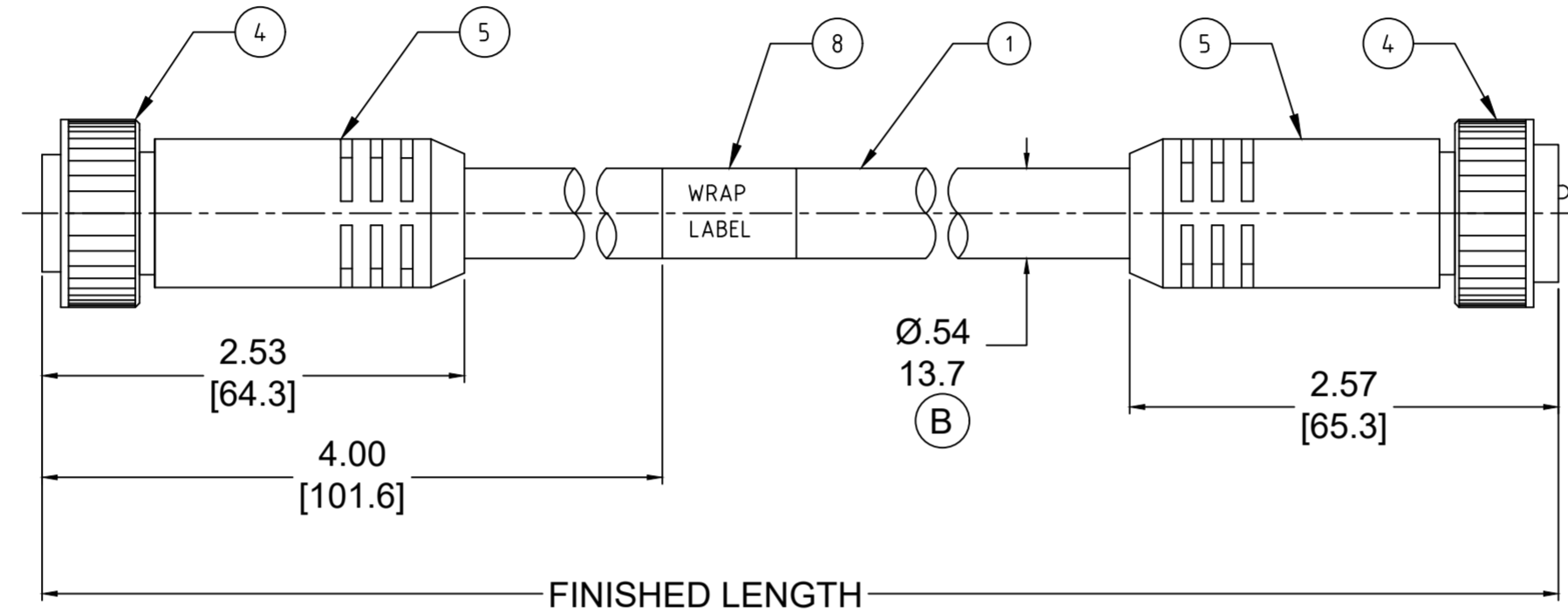
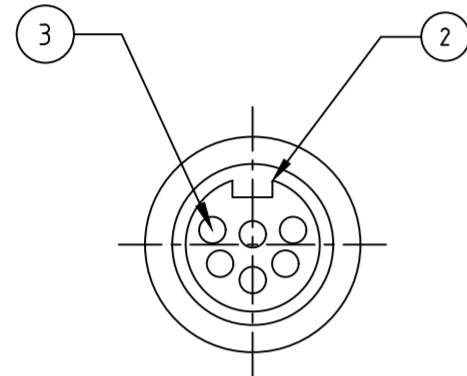
WIRING DIAGRAM

ITEM	QTY.	DESCRIPTION	MATERIAL	FINISH
10	1	LABEL	PLASTIC FILM	BLACK/YELLOW
9	6	PIN CONTACT	BRASS	GOLD PLATED
8	1	INSERT, MALE, 6 POLE	PVC	YELLOW
7	2	OVERMOLD	PVC	YELLOW
6	2	COUPLING NUT	ZINC DIE CAST	BLACK
5	2	FRICTION RING	NYLON	NATURAL
4	6	SOCKET CONTACT	BRASS	GOLD PLATED
3	6	SOCKET SLEEVE	STAINLESS STEEL	
2	1	INSERT, FEMALE, 6 POLE	PVC	YELLOW
1	1	CABLE, 16-6 ST00W/ST	PVC JACKET	YELLOW

RELEASED EC NO: MNA2009-0627 DRAWN BY: DRWINRSTONE 2009/04/03 CHKD BY: WOODMAN APPR: J.MURPHY 2009/04/08	DESCRIPTION REV	QUALITY SYMBOLS	GENERAL TOLERANCES (UNLESS SPECIFIED)	DIMENSION STYLE	SCALE	DESIGN UNITS	THIRD ANGLE PROJECTION															
		$\nabla=0$ $\nabla=0$	<table border="1"> <tr> <th></th> <th>mm</th> <th>INCH</th> </tr> <tr> <td>4 PLACES</td> <td>± ---</td> <td>± ---</td> </tr> <tr> <td>3 PLACES</td> <td>± ---</td> <td>± ---</td> </tr> <tr> <td>2 PLACES</td> <td>± ---</td> <td>± .01</td> </tr> <tr> <td>1 PLACE</td> <td>± 0.3</td> <td>± ---</td> </tr> </table>		mm	INCH	4 PLACES	± ---	± ---	3 PLACES	± ---	± ---	2 PLACES	± ---	± .01	1 PLACE	± 0.3	± ---	IN/MM	1:1	INCH	
			mm	INCH																		
		4 PLACES	± ---	± ---																		
3 PLACES	± ---	± ---																				
2 PLACES	± ---	± .01																				
1 PLACE	± 0.3	± ---																				
	ANGULAR ±1/2°	DRAWN BY: R. STONE DATE: 2009/04/02	TITLE: MINI-CHANGE CORD ASSY MALE/FEMALE, B-SIZE 6 POLE																			
	DRAFT WHERE APPLICABLE MUST REMAIN WITHIN DIMENSIONS	CHECKED BY: B. WOODMAN DATE: 2009/04/03	MATERIAL NO. SEE CHART																			
		APPROVED BY: J. MURPHY DATE: 2008/04/06	MOLEX INCORPORATED																			
			DOCUMENT NO. SD-130011-001																			
			SHEET NO. 1 OF 1																			
			THIS DRAWING CONTAINS INFORMATION THAT IS PROPRIETARY TO MOLEX INCORPORATED AND SHOULD NOT BE USED WITHOUT WRITTEN PERMISSION																			



PART NO	ENGINEERING NO.	FINISHED LENGTH
1300110008	226020A01F030	3FT [0.9M]
1300110082	227020A01M300	30M [98FT 5 IN]
1300110158	228020A01M600	60M [196FT 10 IN]



- NOTES:
- MATERIAL: AS NOTED
 - FINISH: AS NOTED
 - ELECTRICAL:
6 POLE: VOLTAGE: 400V PER IEC60664
600V PER UL2238
CURRENT: 8A
7 POLE: VOLTAGE: 320V PER IEC60664
600V PER UL2238
CURRENT: 8A
8 POLE: VOLTAGE: 320V PER IEC60664
600V PER UL2238
CURRENT: 7A
 - TEMP RATING: -20°TO +105°C
 - PROTECTION: IP67 (WHEN MATED)
 - COUPLING THREAD: 1"-16 UN
 - UL RECOGNIZED FILE: E152210
CSA CERTIFIED FILE: LR6837 (B)
 - ALL DIMENSIONS ARE FOR REFERENCE UNLESS TOLERANCED OR NOTED OTHERWISE

PART NO. MATRIX
227020A01M010
 POLES (6,7,8) FINISHED LENGTH:
 M005= 0.5 METER
 M010= 1 METER
 M100= 10 METER
 F010= 1 FOOT
 F100= 10 FEET

CABLE LENGTH TOLERANCES

>.3M [1FT]:	+19mm-0 [+.75in-0]
.3 - .9M [1 - 3FT]:	+44.5mm-0 [+1.75in-0]
.9 - 1.8M [3 - 6FT]:	+55.6mm-0 [+2.19in-0]
1.8 - 3.7M [6 - 12FT]:	+88.9mm-0 [+3.50in-0]
3.7 - 7.3M [12 - 24FT]:	+165.1mm-0 [+6.50in-0]
7.3-14.6M [24 - 48FT]:	+317.5mm-0 [+12.50in-0]
14.6 - 30.5M [48-100FT]:	+622.3mm-0 [+24.50in-0]
OVER 30M [100FT]	+2% OF FINISHED LENGTH

8	WRAP LABEL	VINYL	BLACK/YELLOW
7	CONTACT PIN	COPPER ALLOY	GOLD PLATED
6	MALE INSERT	TPE	YELLOW
5	OVERMOLD	TPE	YELLOW
4	COUPLING	ZINC DIE-CAST	BLACK
3	CONTACT SOCKET	COPPER ALLOY	GOLD PLATED
2	FEMALE INSERT	TPE	YELLOW
1	CABLE, 16AWG, TPE,STOOW	PVC JACKET	YELLOW
ITEM	DESCRIPTION	MATERIAL	FINISH

FUNCTIONAL SYMBOLS FA=0 FC=0 FP=0	THIS DRAWING CONTAINS INFORMATION THAT IS PROPRIETARY TO MOLEX ELECTRONIC TECHNOLOGIES, LLC AND SHOULD NOT BE USED WITHOUT WRITTEN PERMISSION		CURRENT REV DESC: ITEM# 2, 5 & 6 WERE PVC. ADDED "CSA" IN NOTES. ADDED CABLE DIA. MODIFIED MATERIAL TABLE	
	DIMENSION UNITS	SCALE	EC NO: 643513	
	INCH/MM	NTS	DRWN: ABENJAMINLW	2020/07/29
	GENERAL TOLERANCES (UNLESS SPECIFIED)		CHK'D: RSTONE	2020/08/28
DIVISIONAL SYMBOLS	4 PLACES	±----	APPR: BWOODMAN	2020/09/15
	3 PLACES	±----	INITIAL REVISION:	
	2 PLACES	±----	DRWN: RSTONE	2016/11/30
	1 PLACE	±----	APPR: BWOODMAN	2016/12/20
0 PLACES	±----	ANGULAR TOL ± 0.5 °		
DRAFT WHERE APPLICABLE MUST REMAIN WITHIN DIMENSIONS		THIRD ANGLE PROJECTION	DRAWING	SERIES
			C-SIZE	139990
DOCUMENT STATUS		P1	RELEASE DATE	2020/09/15 20:43:15
DOCUMENT NUMBER		SD-130011-006		DOC TYPE/DOC PART/REVISION
		PSD	001	B
MATERIAL NUMBER		CUSTOMER		SHEET NUMBER
SEE CHART		GENERAL MARKET		1 OF 1