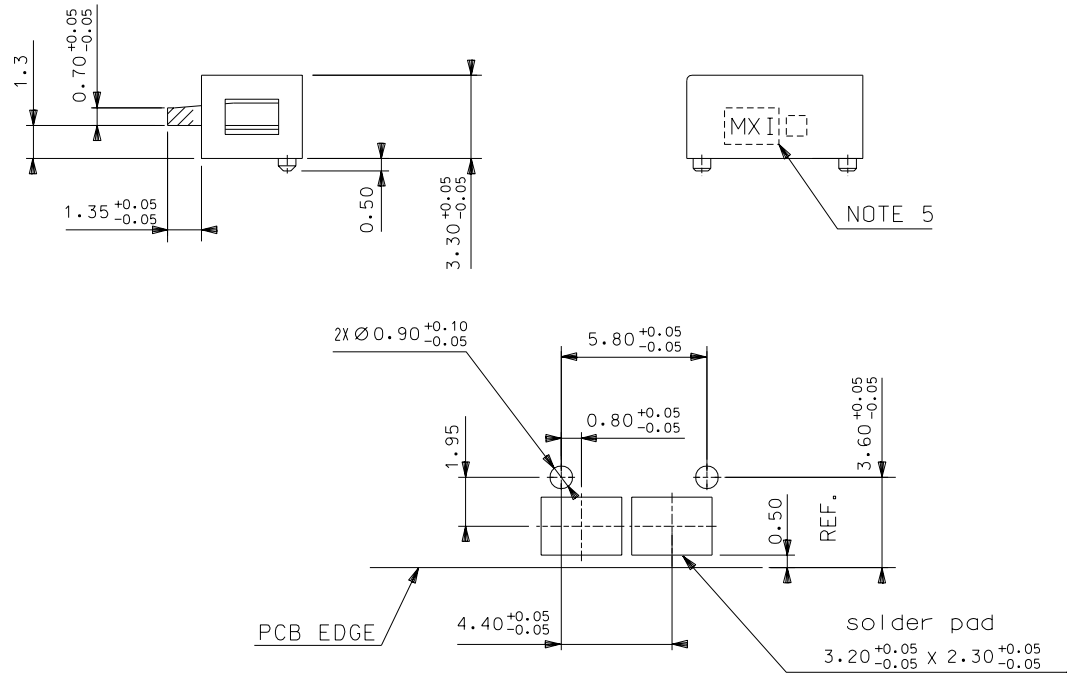
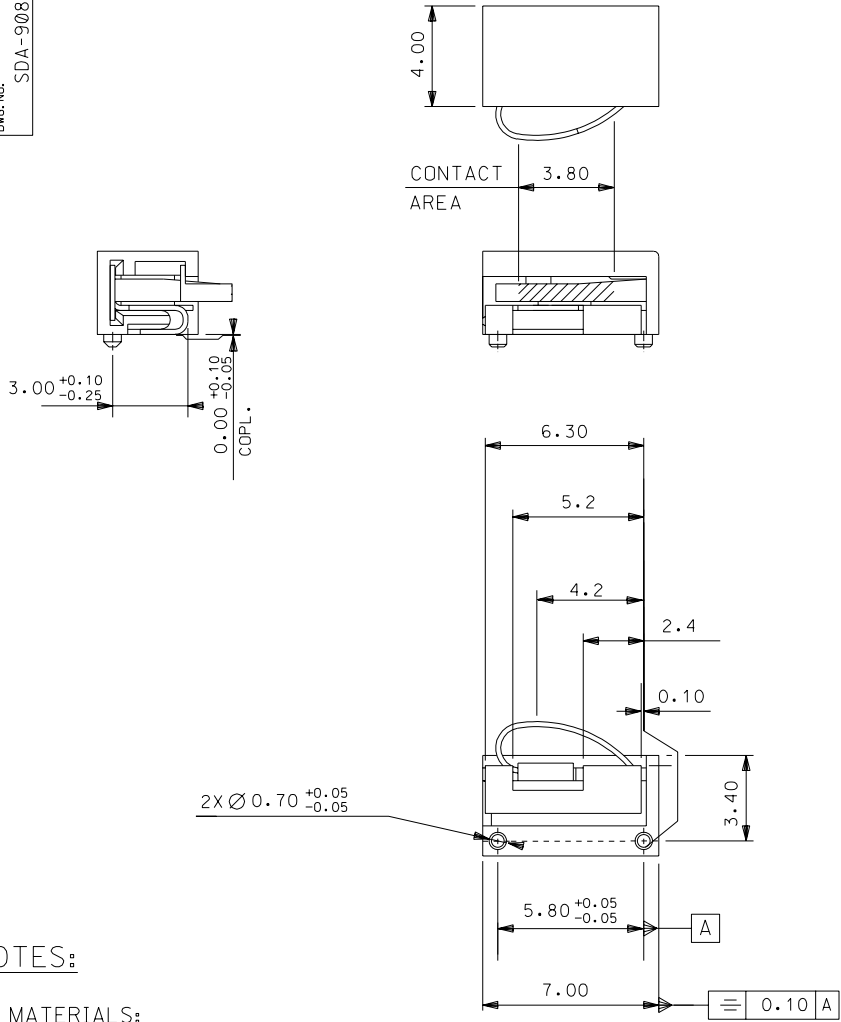


PART NO. 90868-0002
 DWG. NO. SDA-90868E



NOTE 5

NOTES:

- MATERIALS:
 HOUSING: 30% G.F. PA 46, COLOUR BLACK.
 CONTACT: 0.20 REF. PHOSPHOR BRONZE.
- PLATING: NICKEL 1.27um MIN. UNDERCOAT OVERALL.
 GOLD FLASH 0.10um MIN. OVER PALLADIUM-NICKEL
 1.0um MIN. IN CONTACT AREA.
 3.0um MIN. TIN IN SOLDER TAIL AREA.
- PACKAGING: TAPE AND REEL (EMBOSSED TAPE), SEE SDA-90868-0001.
- SEE PRODUCT SPECIFICATION PS-99020-0041.
- MXI AND CAVITY I.D. RAISED IN THESE AREAS MAX 0.1.
 TEXT HEIGHT MAX 1.5.

RECOMMENDED PCB THICKNESS: 1.2
 RECOMMENDED PCB LAYOUT

FOR PREVIOUS
 DRAWING ISSUES
 SEE MRI.

REMOVE LEAD FROM PLATING	THIRD ANGLE PROJECTION	REVISE ONLY ON CAD SYSTEM	
ECN: E2004-0574	DWG BY: FM	CADCAM FILENAME: S90868X1	THIS DRAWING CONTAINS INFORMATION THAT IS PROPRIETARY TO MOLEX INC. & SHOULD NOT BE USED WITHOUT WRITTEN PERMISSION
2004/03/10 D.CARTON	CHK'D BY:	TITLE: ONE CIRCUIT BATTERY CONNECTOR	
LTR	REVISIONS	APP'D BY:	SHEET NO. DATE: 10F2 94/05/10
	DIMENSIONS SHOWN (METRIC) INCH	SCALE: 5:1	PART NO. 90868-0002
	UNLESS OTHERWISE SPECIFIED TOLERANCES: ANGULAR ±2°		DWG NO. SDA-90868E
	INCH (METRIC)		SIZE B
	3 PLACE ± .		
	2 PLACE ± . ± 0.10		
	1 PLACE ± 0.20		
	DRAFT WHERE APPLICABLE MUST REMAIN WITHIN DIMENSIONS		
	DESIGN DIMENSION (PRIMARY) <input checked="" type="checkbox"/> (MM) <input type="checkbox"/> IN.		
	EQUIVALENT DIMENSION (SECONDARY) <input type="checkbox"/> (MM) <input type="checkbox"/> IN.		

2	D
1	E
SH.	REV.