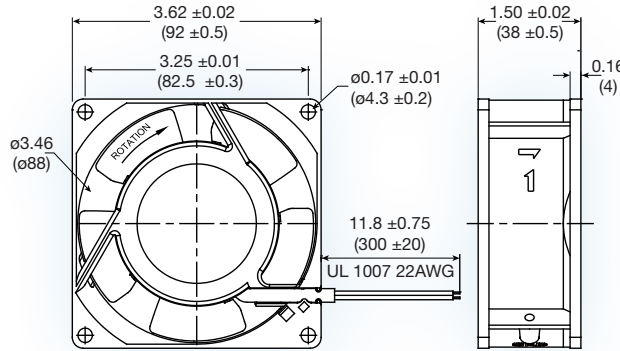
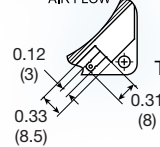
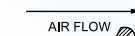


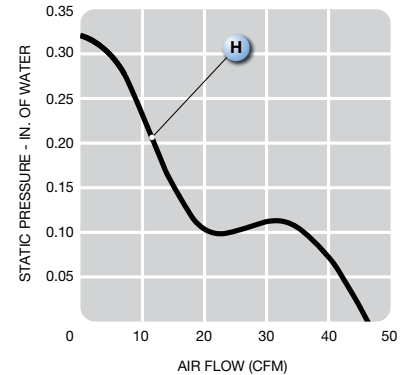
UF92A series



LEAD WIRE TYPE



TERMINAL TYPE



(92 x 92 x 38 mm)
3.62 x 3.62 x 1.5 inches

Operating voltage: 115 or 230 VAC

Construction: die cast aluminum frame;
UL94V-0 PBT impeller

Bearing option: ball bearing

Motor: shaded pole

Air Flow: exhaust over struts

Connection: terminal or 22 AWG lead wire

Protection: impedance

Model No.	Rated Voltage V	Freq. HZ	Input Power W	Rated Cur. A	Locked Cur. A	Speed RPM	Air Volume		Max. Static Pressure (H ₂ O)		Sound Noise dbA	Weight kg
							M ³ /Min.	CFM	MM	INCH		
UF92A12-__H	115	60	12	0.16	0.25	3,300	1.3	46	8.1	0.32	38	0.45
UF92A23-__H	230	60	12	0.09	0.13	3,300	1.3	46	8.1	0.32	38	0.45

