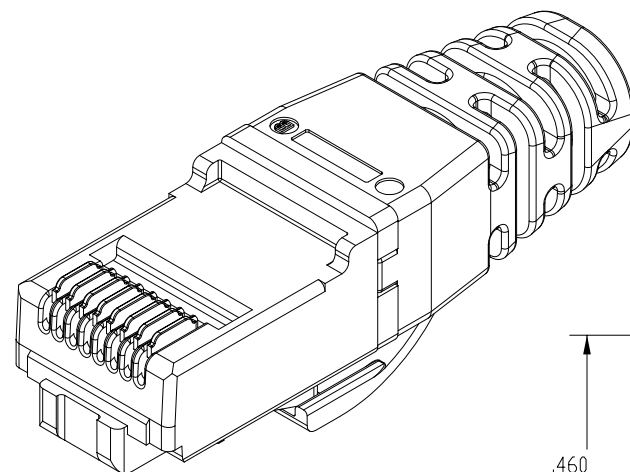
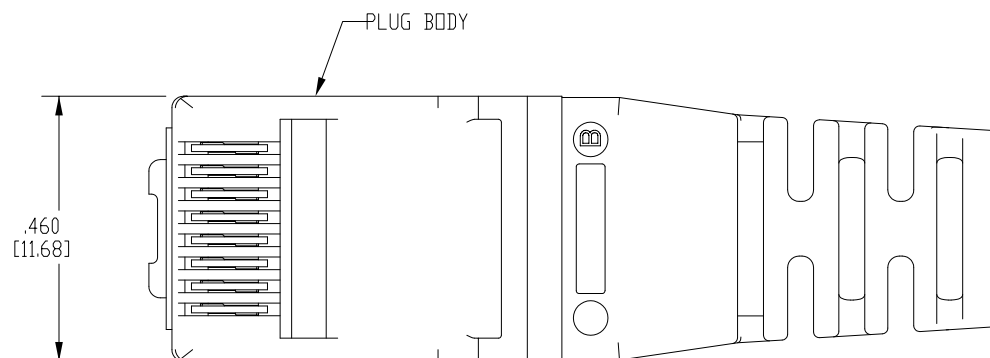


DATE	REV.	ECN	APP'D BY
2-17-15	B5	10258	ADB
2-18-16	B6	10556	TRM
6-9-17	B7	11020	KAC

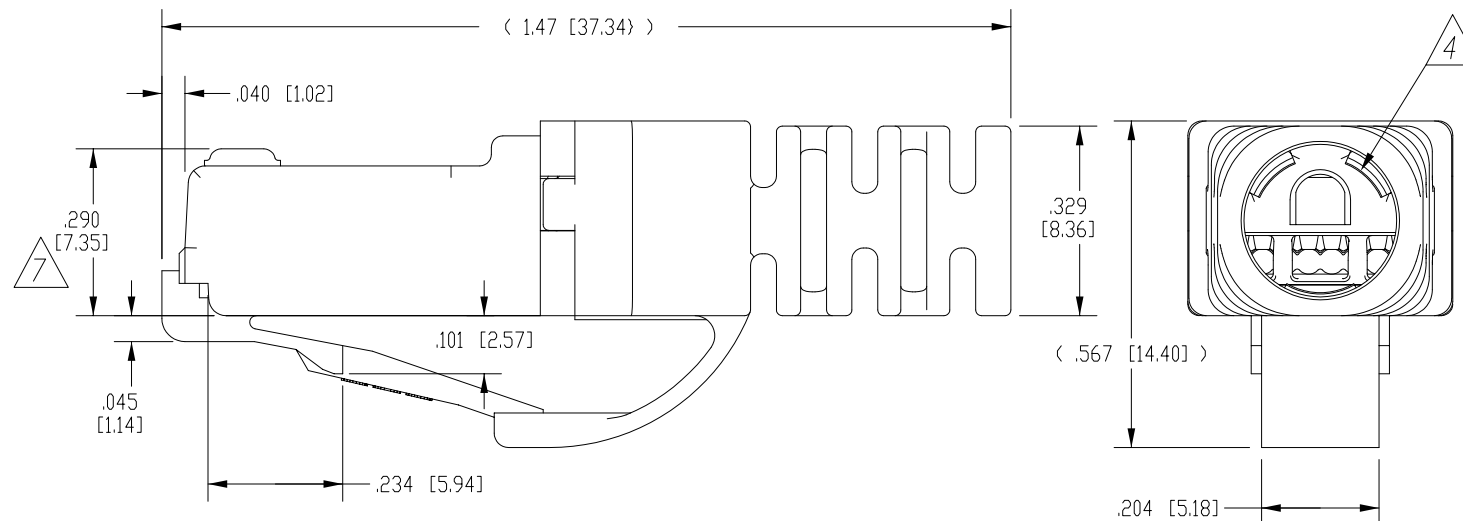
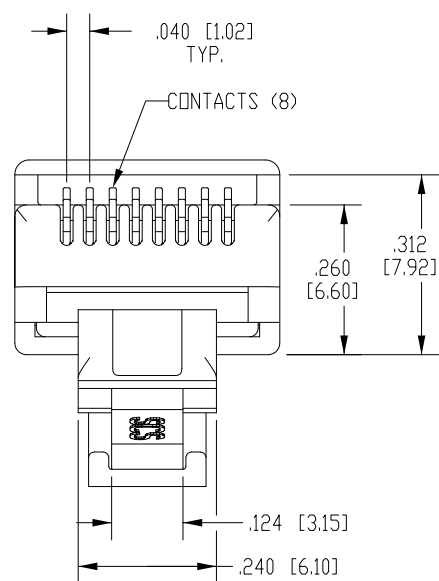


PRE-INSERTED PLUG
39100-307

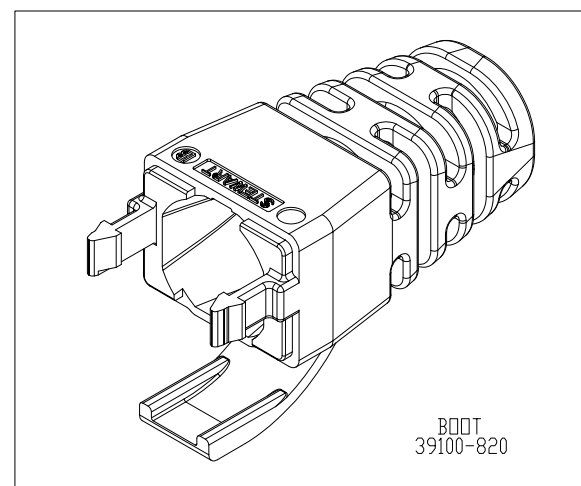
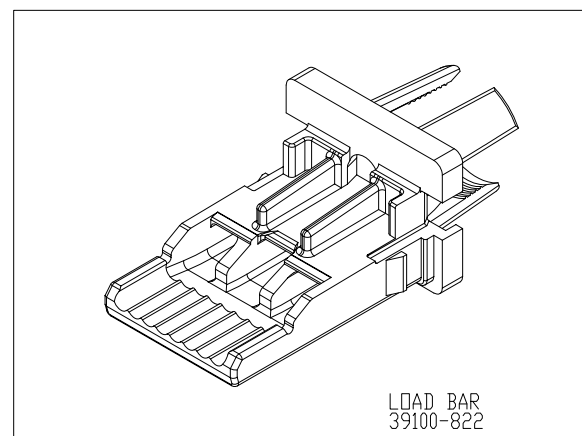


NOTES:

- PLUG KIT CONSISTS OF:
PRE-INSERTED PLUG BODY
LOAD BAR
STRAIN RELIEF
- MATERIALS:
PLUG BODY: CLEAR POLYCARBONATE, UL 94-V0
LOAD BAR: CLEAR POLYCARBONATE, UL 94-V0
STRAIN RELIEF: CLEAR POLYCARBONATE, UL 94-V0
CONTACTS: COPPER ALLOY, SELECTIVE GOLD PLATING
- CONTACTS TERMINATE SOLID OR STRANDED CONDUCTORS BETWEEN .037 [0.94] TO .042 [1.07] OUTSIDE DIAMETER OF INSULATION.
- STRAIN RELIEF IS FOR CABLES WITH OUTSIDE DIAMETERS OF .240 [6.10] TO .250 [6.35].
- PLUG SPECIFICATION: FOR CATEGORY 6 APPLICATIONS.
- DIMENSIONS AND TOLERANCES COMPLY WITH TIA-1096 STANDARD.
- TERMINATED PLUG HEIGHT: .237 [6.02] ±.005 [0.13].
- FOR PRODUCT SPECIFICATION SEE PR026-01.
- INDIVIDUALLY BAGGED PLUG KITS (1 EACH PLUG BODY, LOAD BAR AND BOOT) PACKAGED 25 PER BOX

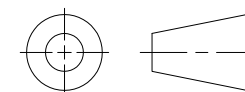


BAGGED	50 MICRO-INCHES [1.27um]	SS-39100-057
BULK	50 MICRO-INCHES [1.27um]	SS-39100-011
PACKAGE	CONTACT PLATING IN MATING AREA	PART NUMBER



RoHS

THIRD ANGLE PROJECTION



DO NOT SCALE DRAWING
DRAWING IS SUBJECT TO CHANGE WITHOUT NOTICE

DIMENSIONS: INCHES [METRIC]
UNLESS OTHERWISE SPECIFIED
TOLERANCES ARE ±.005 [0.13]
ANGLES ARE ±1°

SHEET NO. 1 OF 1



1118 Susquehanna Trail South
Glen Rock, PA 17327-9199
(717) 235-7512
<http://www.stewartconnector.com>

8 POSITION/8 CONDUCTOR CAT6/6A UNSHIELDED PLUG,
LOAD BAR & STRAIN ASS'Y. (ANTI-SNAG VERSION)

THIS DRAWING AND THE SUBJECT MATTER SHOWN THEREON ARE CONFIDENTIAL AND THE PROPRIETARY PROPERTY OF STEWART CONNECTOR AND SHALL NOT BE REPRODUCED, COPIED, OR USED IN ANY MANNER WITHOUT PRIOR WRITTEN CONSENT OF STEWART CONNECTOR. ONE OR MORE U.S. PATENTS MAY APPLY TO THIS PRODUCT. FOR DETAILS, PLEASE VISIT: [HTTP://BELFUSE.COM/STEWART/STEWART_PATENTS/](http://BELFUSE.COM/STEWART/STEWART_PATENTS/)

DRN BY:	TRM	DATE	6-30-04
APPD BY:	RGC	DATE	7-23-04
DWG. NO.	CT390034	REV.	B7