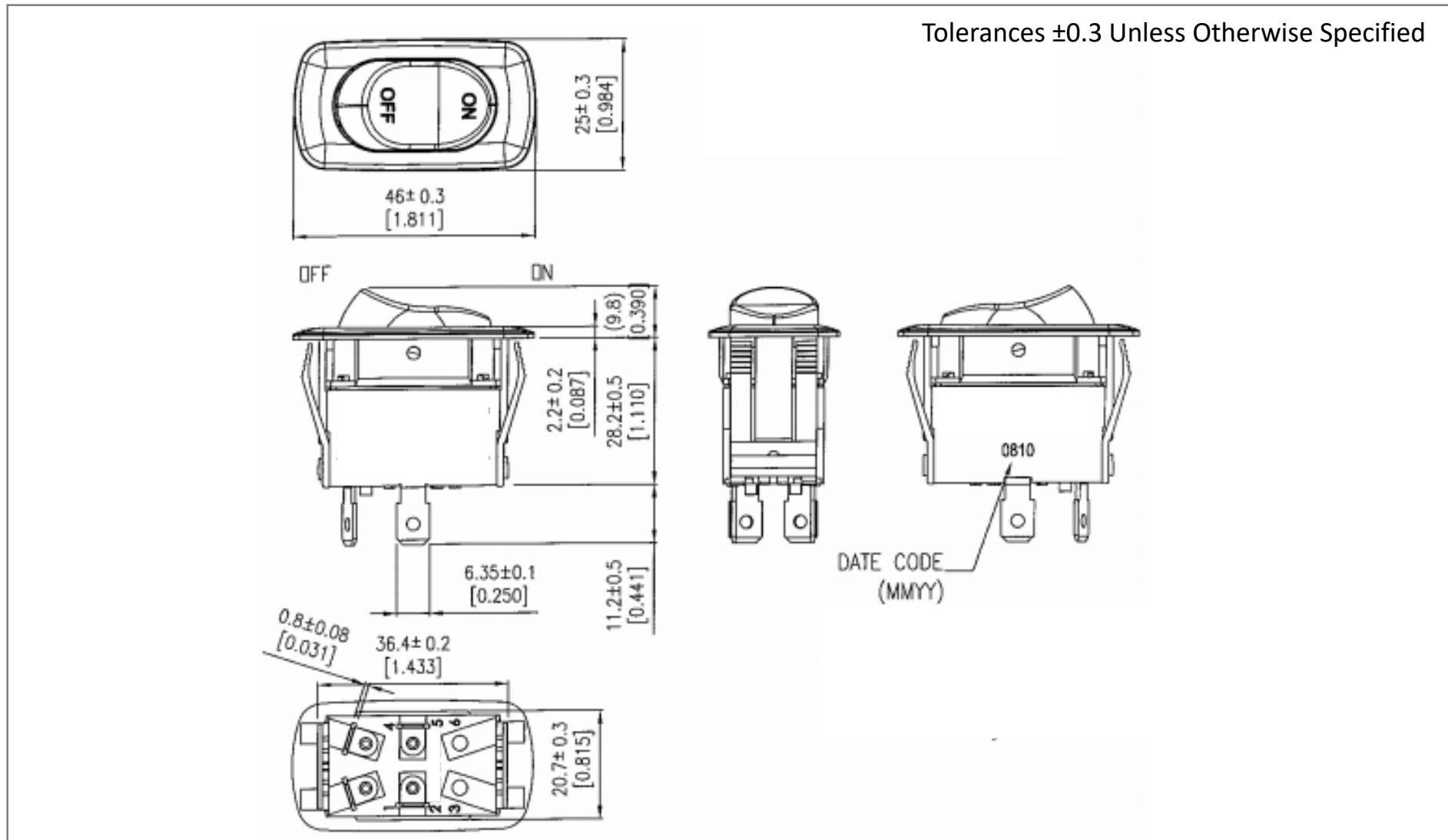
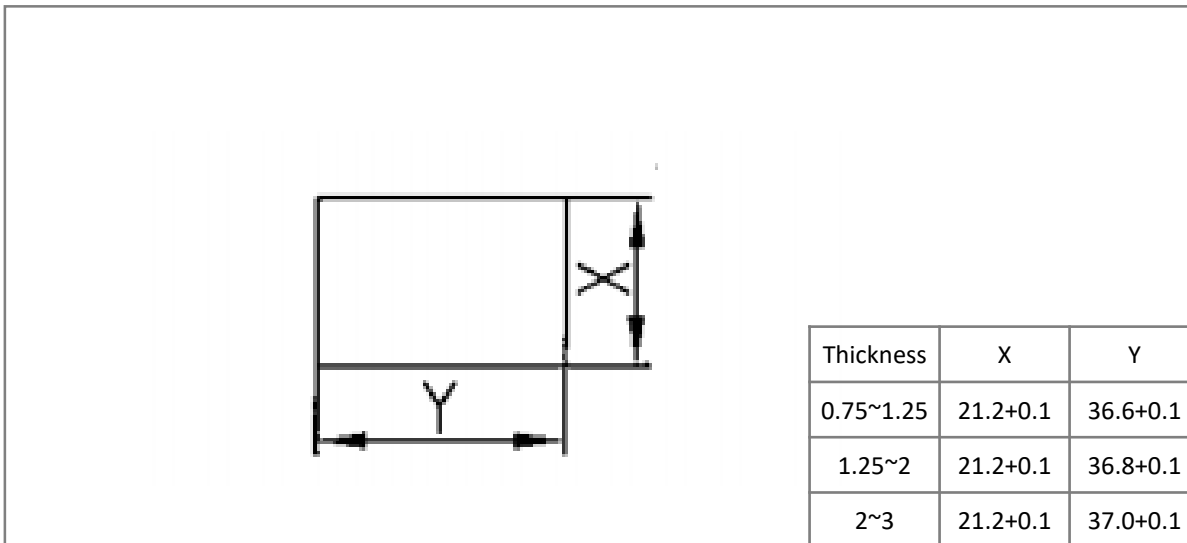


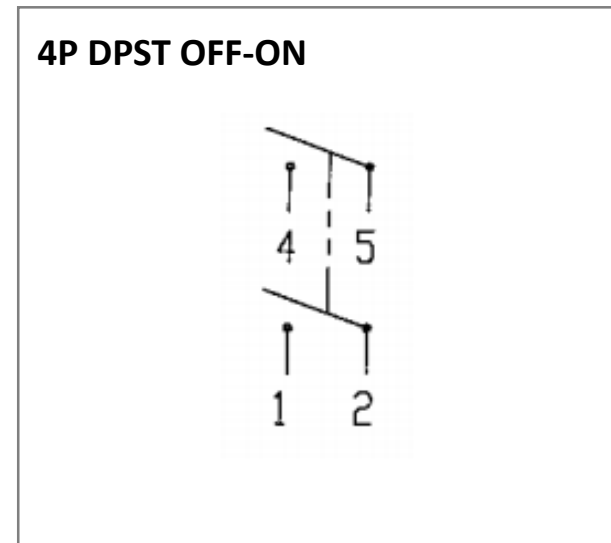
Mechanical Dimensions (mm)



Mounting Hole



Circuit Diagram



Electrical Specifications

| | |
|------------------------------|------------------------|
| Rating | 21A 14V DC, 10A 28V DC |
| Contact Resistance | 50m ohm Max. |
| Insulation Resistance | DC 500V 100M ohm Min. |
| Dielectric Strength | AC 1500V 1 minute |
| Operation Temperature | -20°C~85°C |

Material Specifications

| | |
|-------------------|---------------------|
| Frame | Black, Nylon 66 |
| Actuator | Black, Nylon 66 |
| Printed | White, hot stamping |
| Waterproof | IP56 |