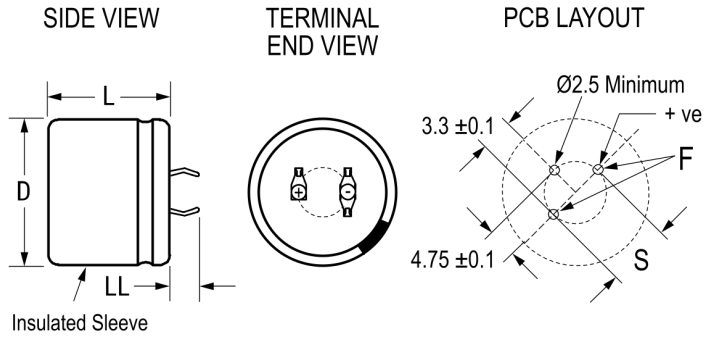


## PEH526MAB382AM3

Aliases (A581BC821M063F)

PEH526, Aluminum Electrolytic, 820 uF, 20%, 63 VDC, -40/+125°C



Click [here](#) for the 3D model.

### Dimensions

D	22mm +/-0.5mm
L	25mm +/-1mm
S	10mm +/-0.1mm
LL	4mm +/-1mm
F	2mm +/-0.1mm

### Packaging Specifications

Packaging	Bulk, Bag
-----------	-----------

### General Information

Series	PEH526
Dielectric	Aluminum Electrolytic
Description	Snap-In, Aluminum Electrolytic
RoHS	Yes
Lead	3 Pin Short
Qualifications	AEC-Q200
AEC-Q200	Yes
Component Weight	12 g
Notes	Add 0.5mm To D And 1mm To L For Sleeving.
Shelf Life	520 Weeks

### Specifications

Capacitance	820 uF
Capacitance Tolerance	20%
Voltage DC	63 VDC
Temperature Range	-40/+125°C
Rated Temperature	125°C
Life	4000 Hrs
Resistance	150 mOhms (100Hz 20C), 79 mOhms (100kHz 20C), 36 mOhms (>=5kHz 125C)
Ripple Current	1.2 Amps (100Hz 125C), 5.9 Amps (5kHz 85C), 4.6 Amps (5kHz 105C), 2.3 Amps (5kHz 125C)
Leakage Current	517 uA (5min 20°C)

Statements of suitability for certain applications are based on our knowledge of typical operating conditions for such applications, but are not intended to constitute - and we specifically disclaim - any warranty concerning suitability for a specific customer application or use. This information is intended for use only by customers who have the requisite experience and capability to determine the correct products for their application. Any technical advice inferred from this information or otherwise provided by us with reference to the use of our products is given gratis, and we assume no obligation or liability for the advice given or results obtained.