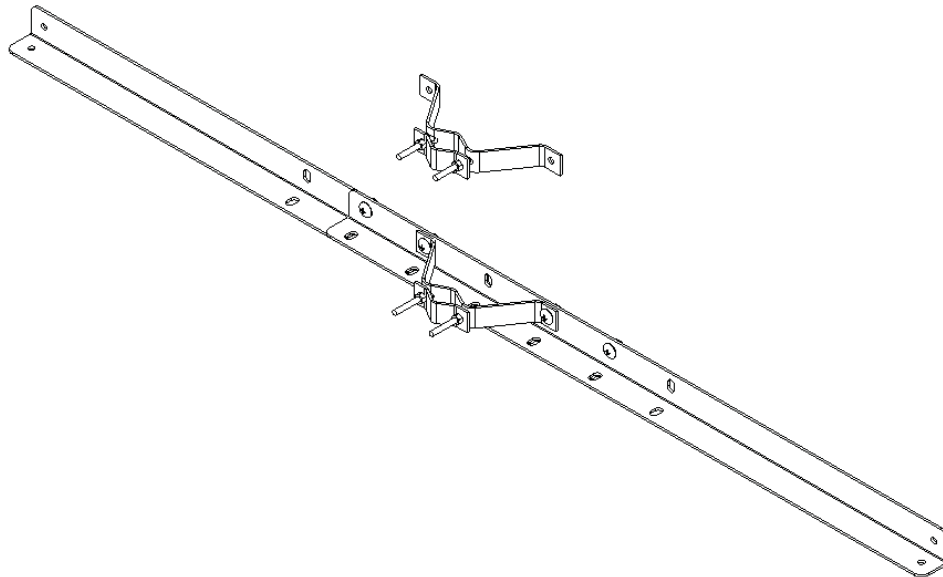


WMP

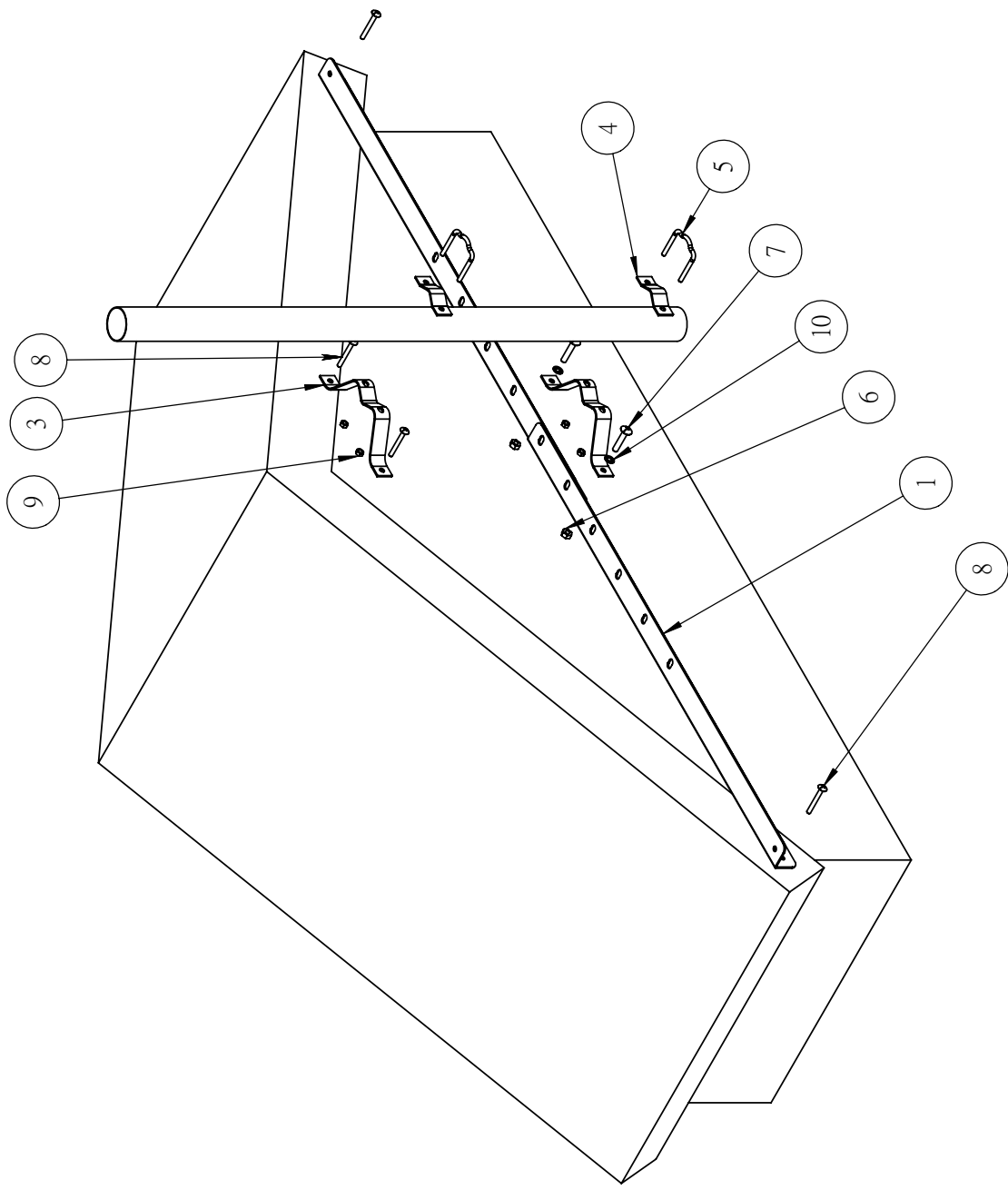
VIDEO MOUNT PRODUCTS

Instruction Sheet For:

GEM-4060

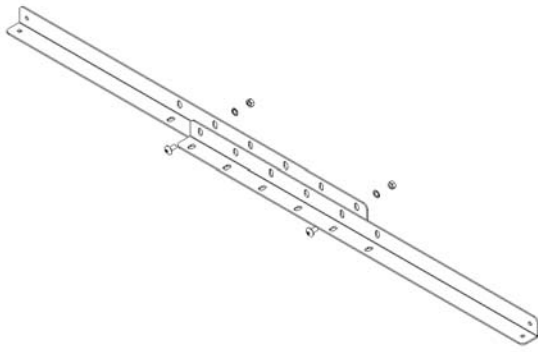


For more information, please contact us at:
345 Log Canoe Circle, Stevensville, Maryland 21666
Toll Free: 877.281.2169 Phone: 410.643.6390 Fax: 410.643.6615
www.videomount.com

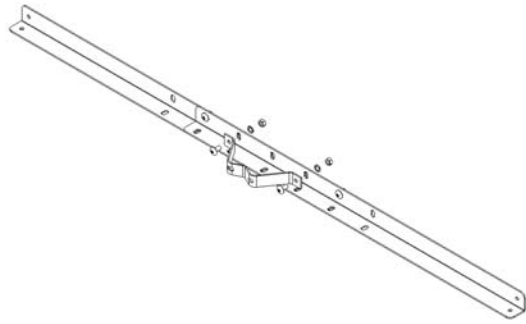


*** GEM4060 ***

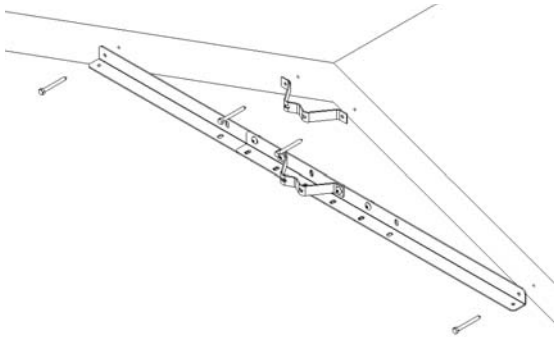
ITEM NO.	PART NAME	QTY.
1	STAND BAR	2
3	HALF JIG 1	2
4	HALF JIG 2	2
5	HOLD SCREW 1/4"	2
6	NUT 5/16"	4
7	CROSS SCREW 5/16"x3/4"	4
8	CROSS SCREW M6x50	4
9	NUT 1/4"-20UNC	4
10	LOCK WASHER C8.4xC15xT1.2	4



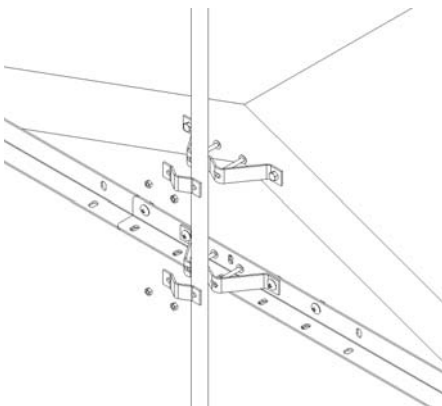
Step 2: Assembling the L brackets



Step 3: Attaching the W bracket to the L brackets



Step 4: Mounting the W bracket and L brackets



Step 5: Attaching the antenna mast

Step 1

Before starting, lay out all parts to your mount and match them to the parts list provided. Verify that you have all your parts before attempting to assemble the mount. **Note: It is highly recommended that the installation of the mount be done by a professional.**

Step 2

Assemble the two L brackets at the desired span by using two of the short 5/16" diameter screws, lock washers and hex nuts through the slots cut into the L brackets.

Step 3

Attach the first W bracket to the combined L brackets with the other two short 5/16" screws, lock washers and hex nuts.

Step 4

Mark the wall or desired mounting surface in preparation of installation of the L brackets and remaining W bracket to the gable. Pre-drill if necessary and mount the L brackets and remaining W bracket to the gable. **Note: Make sure to line up the two W brackets properly as the antenna mast will be attached to them. Warning: Please verify that your mounting surface will support the combined weight of your mount, mounting hardware, and antenna mast. Also verify that the mounting surface is safe to drill through. If in doubt, please contact a professional installer.**

Step 5

Place the antenna mast into the notch in the W brackets. Place clamp plate on the opposite side of the antenna mast and use either the long 1/4" diameter screws or the U bolts and hex nuts to tighten down the clamp plate onto the antenna mast clamping it in place. The 1/4" diameter screws are show in the picture. **Please verify that all nuts and screws are securely tightened.**



Enjoy Your Mount!

WARNING: The installer must verify the installation meets all applicable codes and survival requirements. Video Mount Products will not be held liable for the improper use or installation of its products.