

THIS DRAWING IS UNPUBLISHED.

RELEASED FOR PUBLICATION

2009

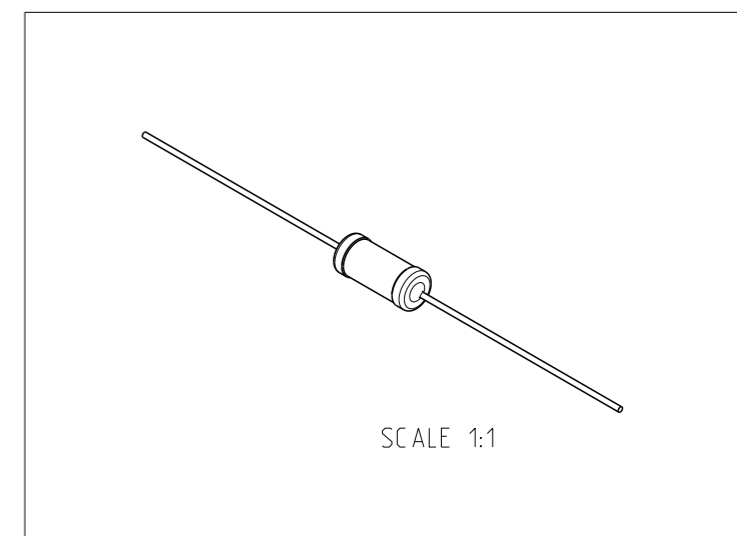
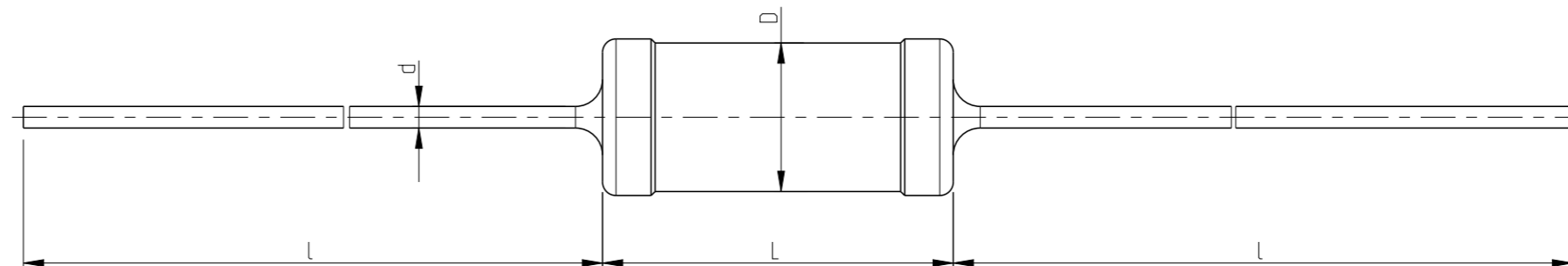
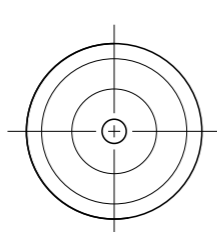
© COPYRIGHT 2009 BY -

ALL RIGHTS RESERVED.


REVISIONS

P	LTR	DESCRIPTION	DATE	DWN	APVD
	BA	NEW RELEASE	06-APR-10	MRS	St.P
	BB	CHANGED PACKING SPEC	17FEB2017	RK	TN

FOR FURTHER INFORMATION SEE DATA SHEET FOR SERIES ES - HIGH POWER RESISTORS



7 WATT	8.5	32.0	38.0	0.80
6 WATT	8.5	25.0	38.0	0.80
5 WATT	6.5	20.0	38.0	0.80
ES TYPE	D ±1.0	L ±1.5	l ±3.0	d ±0.05
DIMENSIONS				

THIS DRAWING IS A CONTROLLED DOCUMENT.		DWN MAHARUDRA 06-APR-10	 TE Connectivity													
DIMENSIONS: mm		CHK ALLAN.P 06-APR-10														
TOLERANCES UNLESS OTHERWISE SPECIFIED:		APVD STEPHEN.P 06-APR-10	NAME HIGH POWER RESISTORS ES SERIES													
<table border="1"> <tr><td>0 PLC</td><td>±0.2</td></tr> <tr><td>1 PLC</td><td>±0.1</td></tr> <tr><td>2 PLC</td><td>±</td></tr> <tr><td>3 PLC</td><td>±</td></tr> <tr><td>4 PLC</td><td>±</td></tr> <tr><td>ANGLES</td><td>±5°</td></tr> </table>		0 PLC	±0.2	1 PLC	±0.1	2 PLC	±	3 PLC	±	4 PLC	±	ANGLES	±5°	PRODUCT SPEC -	RESTRICTED TO -	
0 PLC	±0.2															
1 PLC	±0.1															
2 PLC	±															
3 PLC	±															
4 PLC	±															
ANGLES	±5°															
MATERIAL -		FINISH -	APPLICATION SPEC -	SIZE A3												
		WEIGHT -	CAGE CODE 00779	DRAWING NO C-1624236												
CUSTOMER DRAWING			SCALE 4:1	SHEET 1 OF 1												
			REV BB													