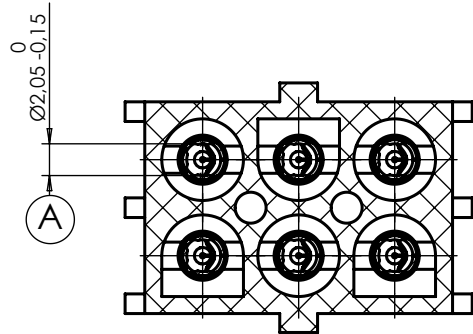
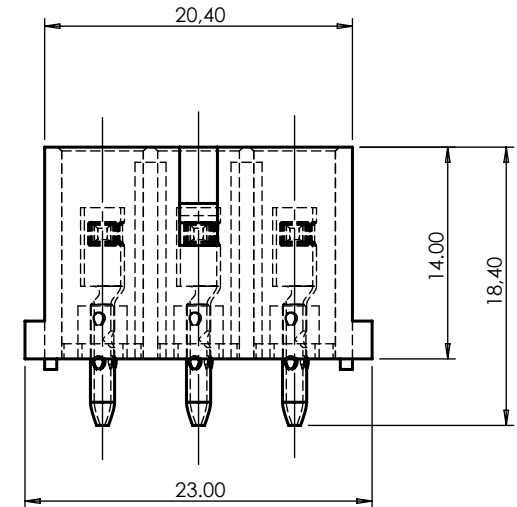
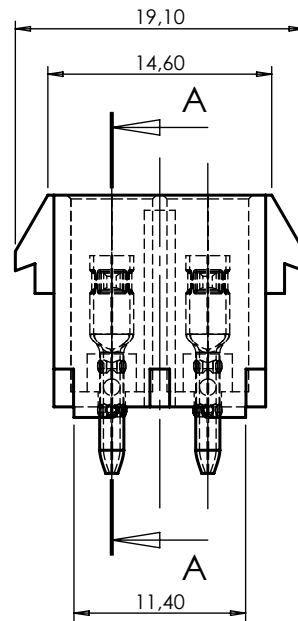
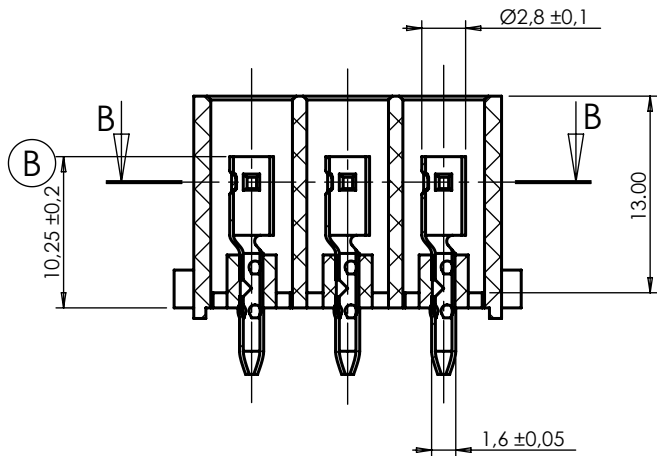
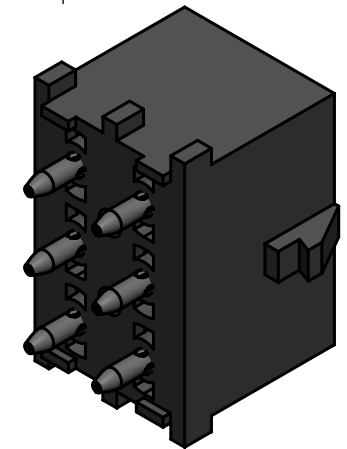
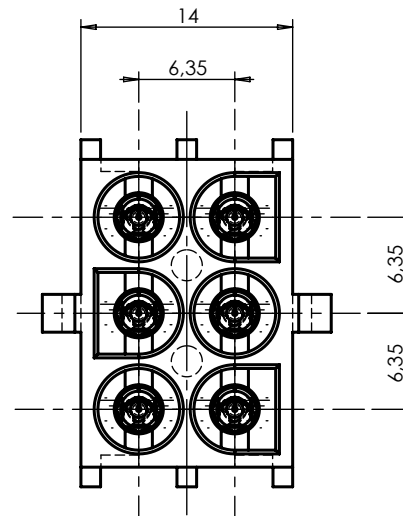


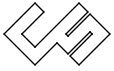
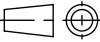
SEZIONE A-A



SEZIONE B-B



DIMENSIONS WITHOUT TOLERANCES				CS-LK06PCB/F	PA66 UL94 V-2
A ±2°	0 - 6	±0.1	CS-LK06PCB/FV0	PA6/66 UL94 V-0	
	6 - 30	±0.2	CS-LK06PCB/FSTY	PA46 UL94 V-2	
	> 30	±0.3	CS-LK06PCB/FV0750NF	PA66 UL94 V-0 GWIT 775	
			CS-LK06PCB/F-G	PA6 UL94 V-2 GWIT 775	
			PART NUMBER	MATERIAL	

1	Aggiornato cartiglio e aggiunto quote A e B		26-06-2019
INDEX	MODIFICATION		DATE
 <p>CS S.r.l. 20063 CERNUSCO S/N - VIA COMO, 11 TEL +39.02.9210.7404 - FAX +39.02.9210.0217 http://www.csconnectors.com - e-mail: info@csconnectors.com</p>			
CHECKED BY Stefano Galimberti		DATE 26-06-2019	DESIGN UNITS METRIC
DRAWN BY Luca Viscardi		DATE 26-06-2019	WEIGHT (g) 2.51
CAD REFER Y:\dis\cs\lk\06vie\pcb\		SIZE A4	SCALE 2:1
		INDEX 0 07-03-2002	
BASE CODE CS-LK06PCB/F	DESCRIPTION Giunto 6 vie per scheda circuito stampato term. femmina serie LK		