

## General Specifications

### Motor Protection:

Auto Restart/Polarity Protection

### Insulation Resistance:

10M Ω or over with a DC500V Megger

### Dielectric Withstand Voltage: AC 700V 1s

### Allowable Ambient Temperature Range:

-10°C ~ +70°C (Operating)

-40°C ~ +70°C (Storage)

(non-condensing environment)

## Expected Life

### Failure Rate: 10%

60°C 40,000 Hours (AA/EA)

## Material

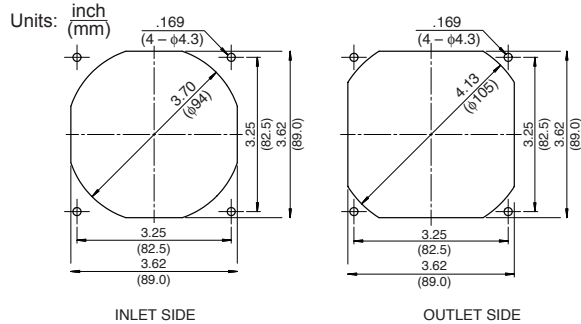
Casing : Plastic (Black) UL94V-0

Impeller : Plastic (Black) UL94V-0

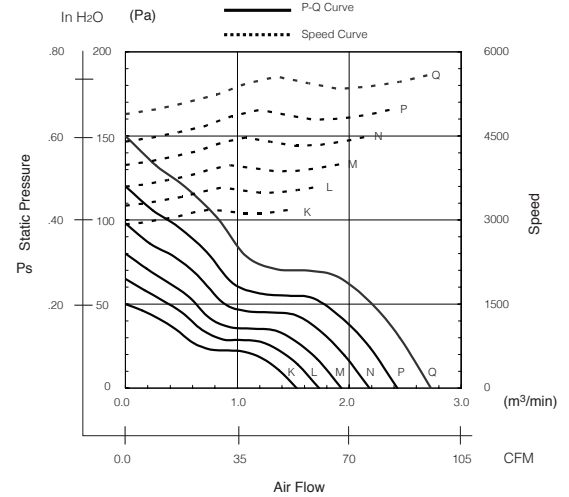
Bearing : Ball Bearing

Lead Wire : UL3385, AWG26, +Red, -Black

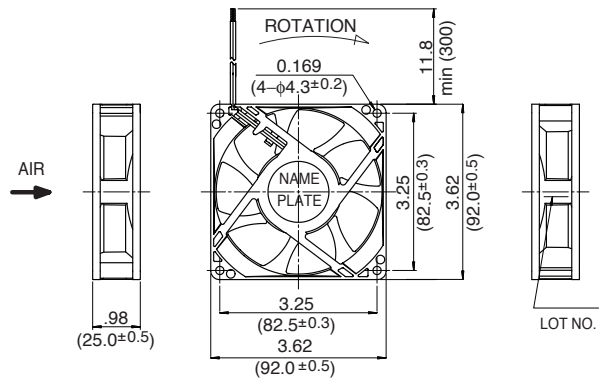
## Panel Cut-Outs



## Characteristic Curves



## Outline



## Specifications

MODEL	LEGACY P/N	Rated Voltage	Operating Voltage	Current	Input Power	Speed	Max. Air Flow		Max. Static Pressure		Noise	Mass
		(V)	(V)	(A) <sup>*1</sup>	(W) <sup>*1</sup>	(min <sup>-1</sup> ) <sup>*1</sup>	CFM <sup>*1</sup>	(m <sup>3</sup> /min) <sup>*1</sup>	in H <sub>2</sub> O	(Pa) <sup>*1</sup>	(dB) <sup>*1</sup>	(g)
09225VA-12K-AA-00	3610VL-04W-B20-B00	12	7.0 ~ 13.8	0.18	2.16	3200	54.0	1.53	.20	50	35.5	135
09225VA-12L-AA-00	3610VL-04W-B30-B00	12	7.0 ~ 13.8	0.24	2.88	3600	61.1	1.73	.26	65	38.5	135
09225VA-12M-AA-00	3610VL-04W-B40-B00	12	7.0 ~ 13.8	0.30	3.60	4000	68.1	1.93	.32	80	42.0	135
09225VA-12N-AA-00	3610VL-04W-B50-B00	12	7.0 ~ 13.8	0.40	4.80	4500	77.0	2.18	.39	98	45.0	135
09225VA-12P-AA-00	3610VL-04W-B60-B00	12	7.0 ~ 13.8	0.52	6.24	5000	85.8	2.43	.48	120	48.0	135
09225VA-12Q-AA-00	3610VL-04W-B70-B00	12	7.0 ~ 13.8	0.72	8.64	5600	96.4	2.73	.60	150	51.0	135
09225VA-24K-AA-00	3610VL-05W-B20-B00	24	14.0 ~ 27.6	0.11	2.64	3200	54.0	1.53	.20	50	35.5	135
09225VA-24L-AA-00	3610VL-05W-B30-B00	24	14.0 ~ 27.6	0.14	3.36	3600	61.1	1.73	.26	65	38.5	135
09225VA-24M-AA-00	3610VL-05W-B40-B00	24	14.0 ~ 27.6	0.17	4.08	4000	68.1	1.93	.32	80	42.0	135
09225VA-24N-AA-00	3610VL-05W-B50-B00	24	14.0 ~ 27.6	0.22	5.28	4500	77.0	2.18	.39	98	45.0	135
09225VA-24P-AA-00	3610VL-05W-B60-B00	24	14.0 ~ 27.6	0.28	6.72	5000	85.8	2.43	.48	120	48.0	135
09225VA-24Q-AA-00	3610VL-05W-B70-B00	24	14.0 ~ 27.6	0.38	9.12	5600	96.4	2.73	.60	150	51.0	135

Rotation: Clockwise

Airflow Outlet: Air Out Over Struts

\*1: Average Values in Free Air

Note: PWM/Locked Rotor/Tach Available