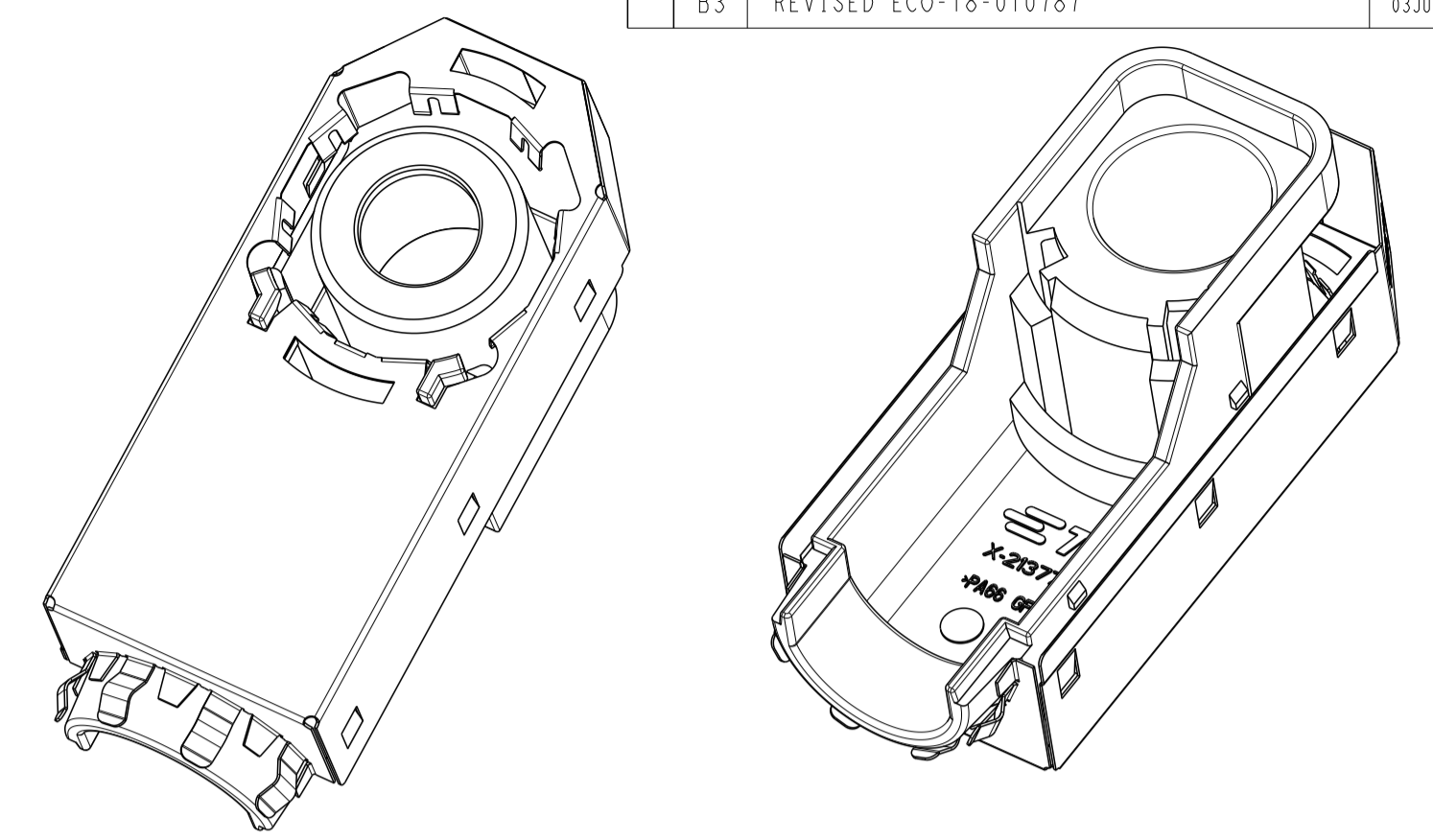
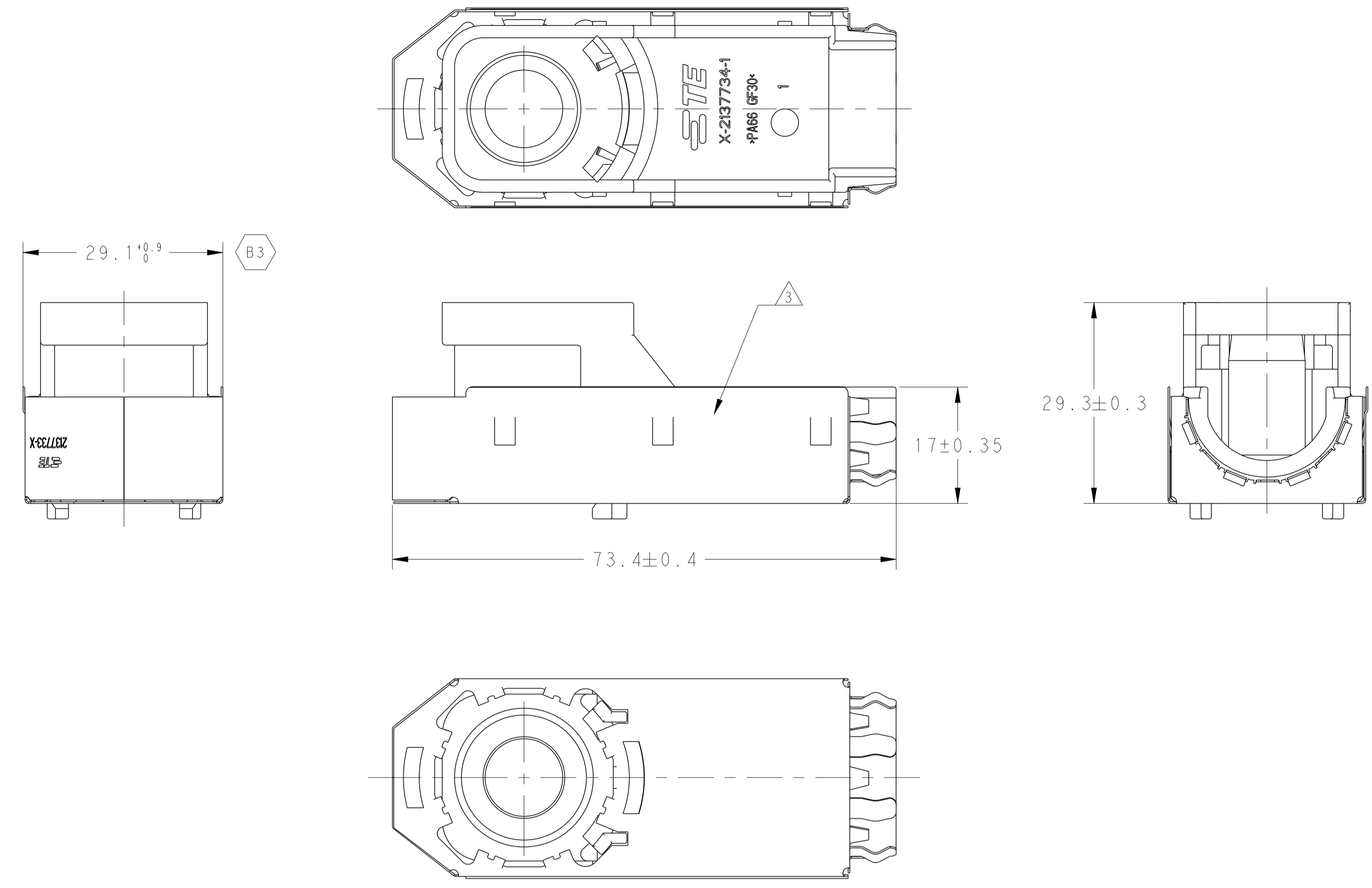
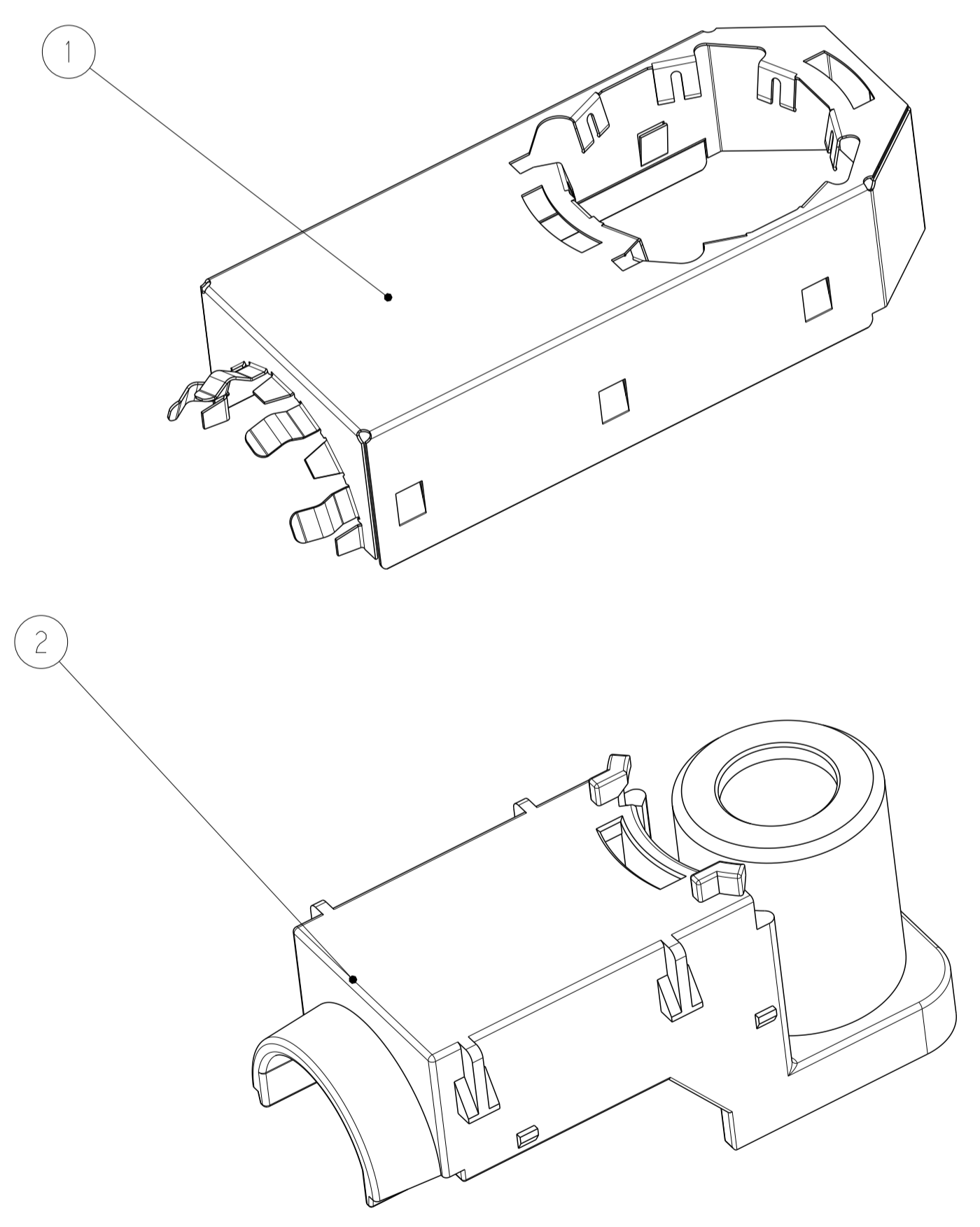


LOC	DIST	REVISIONS			
P	LTN	DESCRIPTION	DATE	DMN	APVD
B		REVISED ECO-12-012167	09JUL12	EW	WY
B1		REVISED ECO-18-002914	27FEB18	DD	EJ
B2		REVISED ECO-18-004938	29MAR18	DD	EJ
B3		REVISED ECO-18-010787	03JUL18	DD	EJ



- NOTES
1. FINAL TEST: VISUAL INSPECTION FOR COMPLETENESS
 2. LAYER PACKING WITH CORRUGATED
- ③ SHIELD PUSHING OFF FORCE 20N MIN



1-2137722-1	LOWER INSERT ASSY V0	LOWER COVER V0	PA66 GF30 V0	NATURAL	2
		LOWER SHIELD 90 DEG	COPPER ALLOY	TIN PLATED	1
2137722-1	LOWER INSERT ASSY	LOWER COVER	PA66 GF30	BLACK	2
		LOWER SHIELD 90 DEG	COPPER ALLOY	TIN PLATED	1
TE-ASSY-NO	DESCRIPTION	DESCRIPTION	MATERIAL	SURFACE COLOR	ITEM

THIS DRAWING IS A CONTROLLED DOCUMENT.

DIMENSIONS:	TOLERANCES UNLESS OTHERWISE SPECIFIED:	DMN	E. WANG	08NOV11
mm	0-PLC ±0.5	CHK	N. ZHOU	08NOV11
	1-PLC ±0.5	APVD	K. QDA	08NOV11
	2-PLC ±0.3	NAME	TE Connectivity	
	3-PLC ±0.13	PRODUCT SPEC	LOWER INSERT ASSY	
	4-PLC ±0.001	108-101010		
	ANGLES ±0.001	APPLICATION SPEC		
MATERIAL	FINISH	114-101010	SIZE	CAGE CODE
		WEIGHT	A100779	DRAWING NO
		CUSTOMER DRAWING	114-101010	RESTRICTED TO
			SCALE	2:1
			SHEET	1 OF 1
			REV	B3