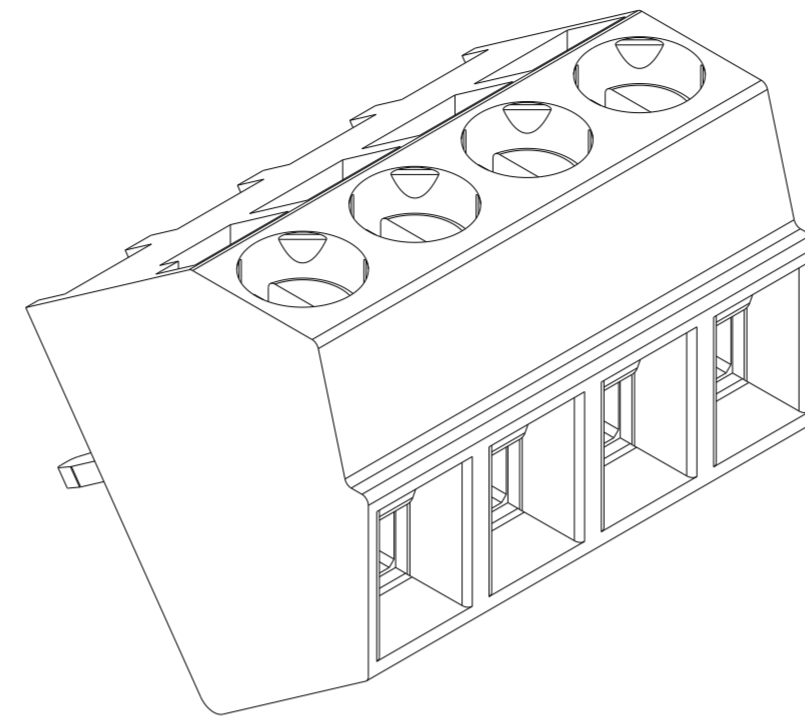
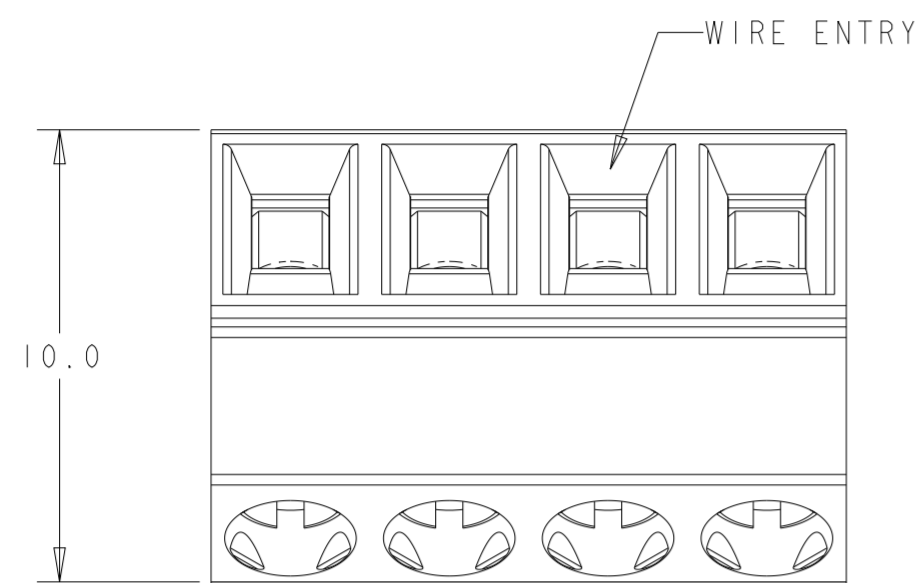


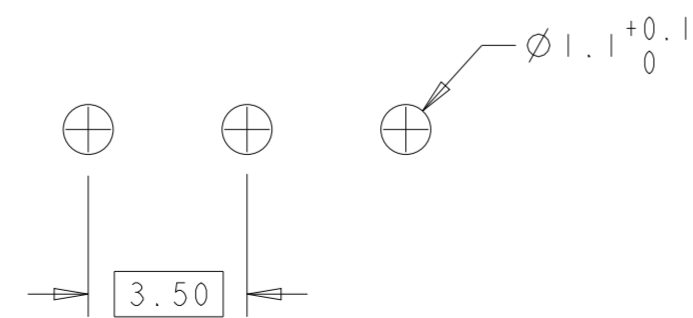
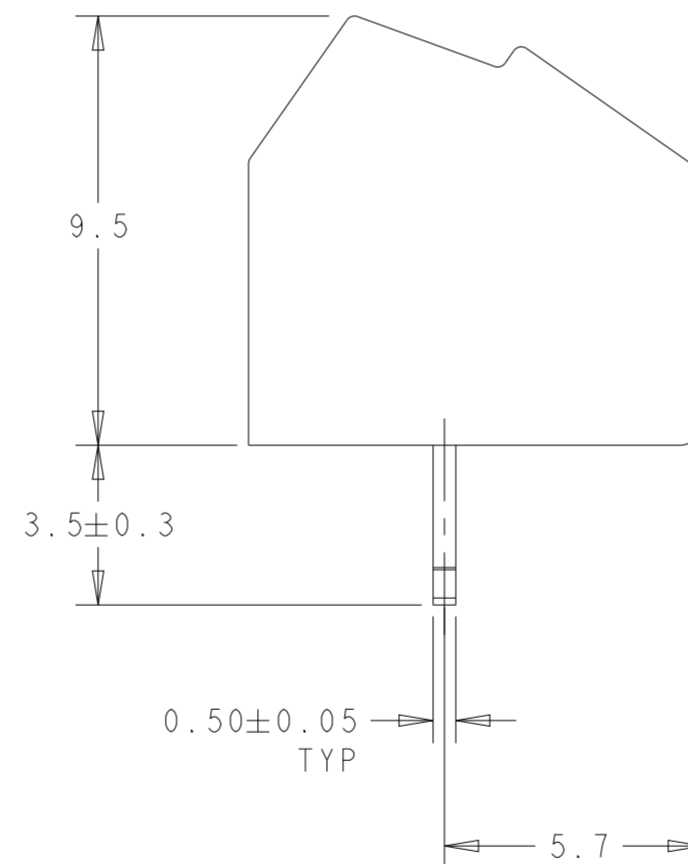
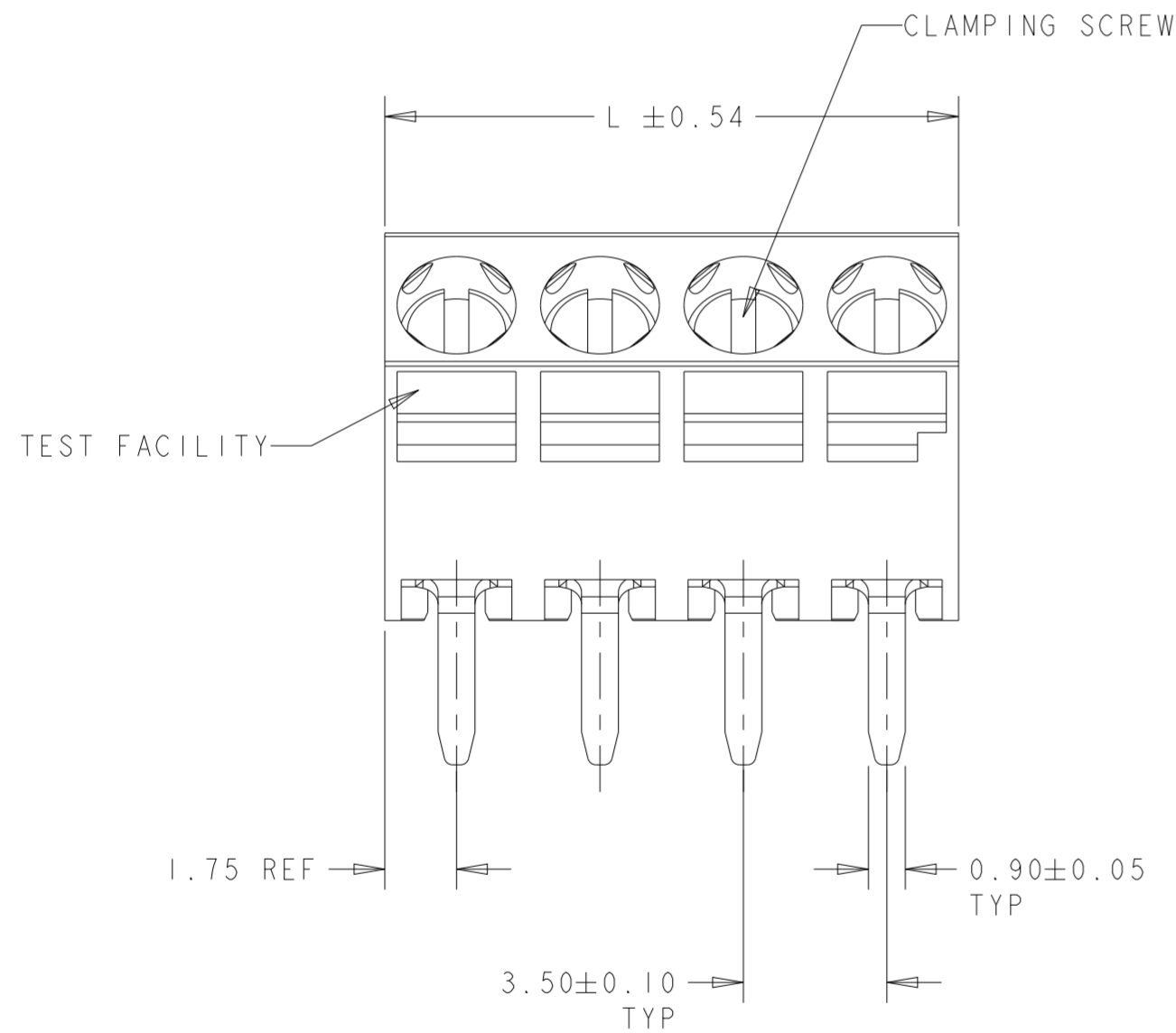
P	LTR	DESCRIPTION	DATE	DWN	APVD
0		RELEASED EC 0G3B-0612-04	02JUN2005	SW	CR
A		PART STATUS UPDATED	20OCT2021	SCB	SS



⚠ MATERIALS AND FINISH:
 HOUSING: HIGH TEMPERATURE POLYAMIDE, UL 94V-0 RATED,
 COLOR: BLACK.
 TERMINAL: COPPER ALLOY, TIN PLATED.
 CLAMP: COPPER ALLOY, NICKEL PLATED.
 CLAMPING SCREW: COPPER ALLOY, NICKEL PLATED.

2. WIRE SIZE RANGE: 16-30 AWG.
3. CURRENT RATING: 12A, 300V
 OPERATING TEMPERATURE: -40°C TO +110°C
4. SUITABLE FOR 2.4mm MAX PC BOARD THICKNESS.

1776115-4 AS SHOWN



RECOMMENDED PC BOARD LAYOUT

	42.00	12	1-1776115-2
	38.50	11	1-1776115-1
	35.00	10	1-1776115-0
	31.50	9	1776115-9
OBSOLETE	28.00	8	1776115-8
	24.50	7	1776115-7
	21.00	6	1776115-6
	17.50	5	1776115-5
OBSOLETE	14.00	4	1776115-4
	10.50	3	1776115-3
	7.00	2	1776115-2
	L	NO OF POSN	PART NUMBER

THIS DRAWING IS A CONTROLLED DOCUMENT.		DWN	S. WELDON	02JUN2005
DIMENSIONS:		CHK	C. RICHARD	02JUN2005
mm	TOLERANCES UNLESS OTHERWISE SPECIFIED:	APVD	C. RICHARD	02JUN2005
	0 PLC ±	PRODUCT SPEC		
	1 PLC ±0.2	APPLICATION SPEC		
	2 PLC ±0.25			
	3 PLC ±0.000	WEIGHT	-	
	4 PLC ±0.000	CUSTOMER DRAWING		
	ANGLES ±	SCALE	6:1	SHEET
	FINISH	SIZE	A2	CAGE CODE
		DRAWING NO	C-1776115	RESTRICTED TO
		REV	A	



NAME: TERMINAL BLOCK, ANGLED ENTRY, 55 DEGREE, STACKABLE, 3.5mm PITCH