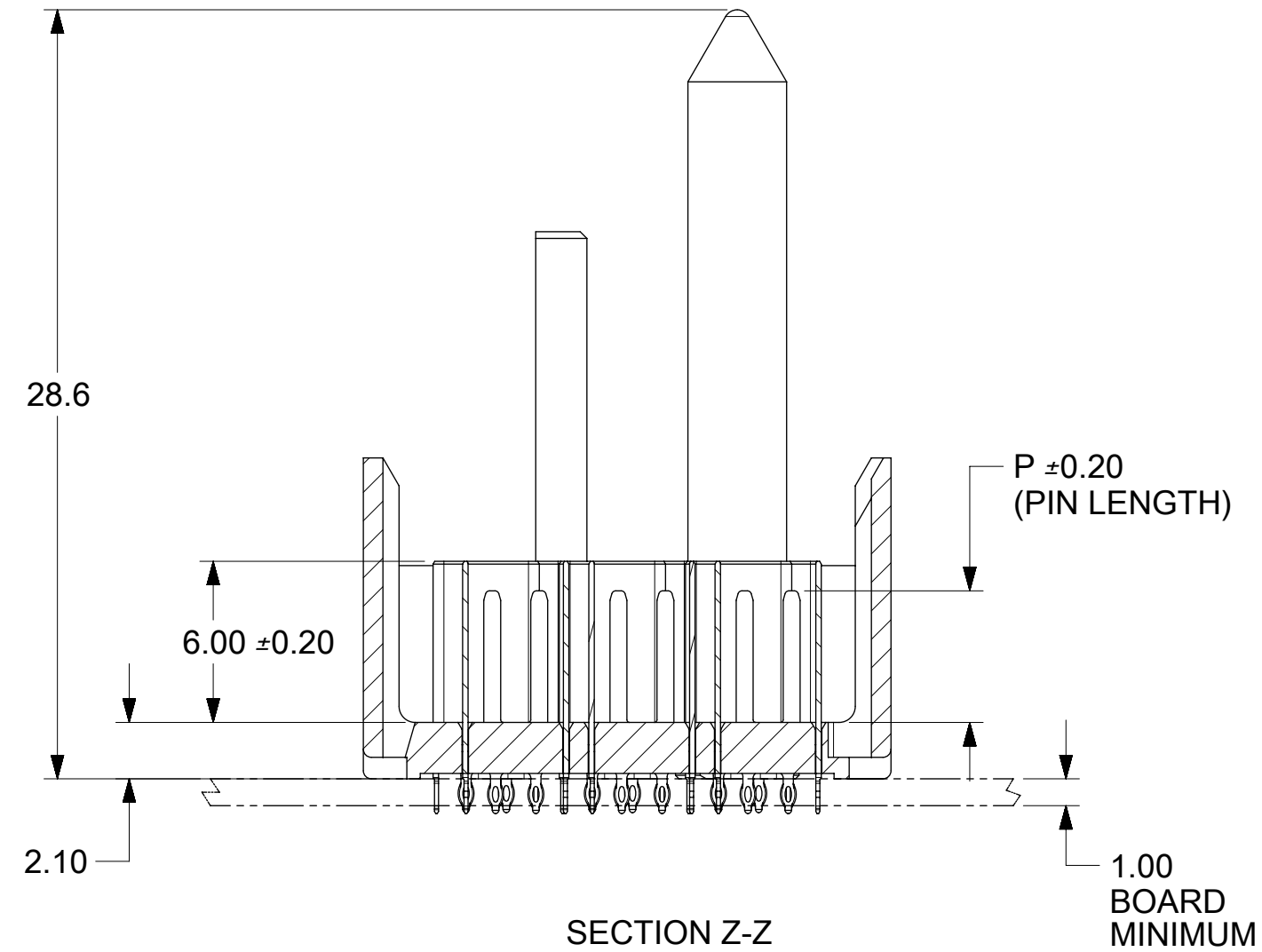


**GUIDE RIGHT  
VERSION**

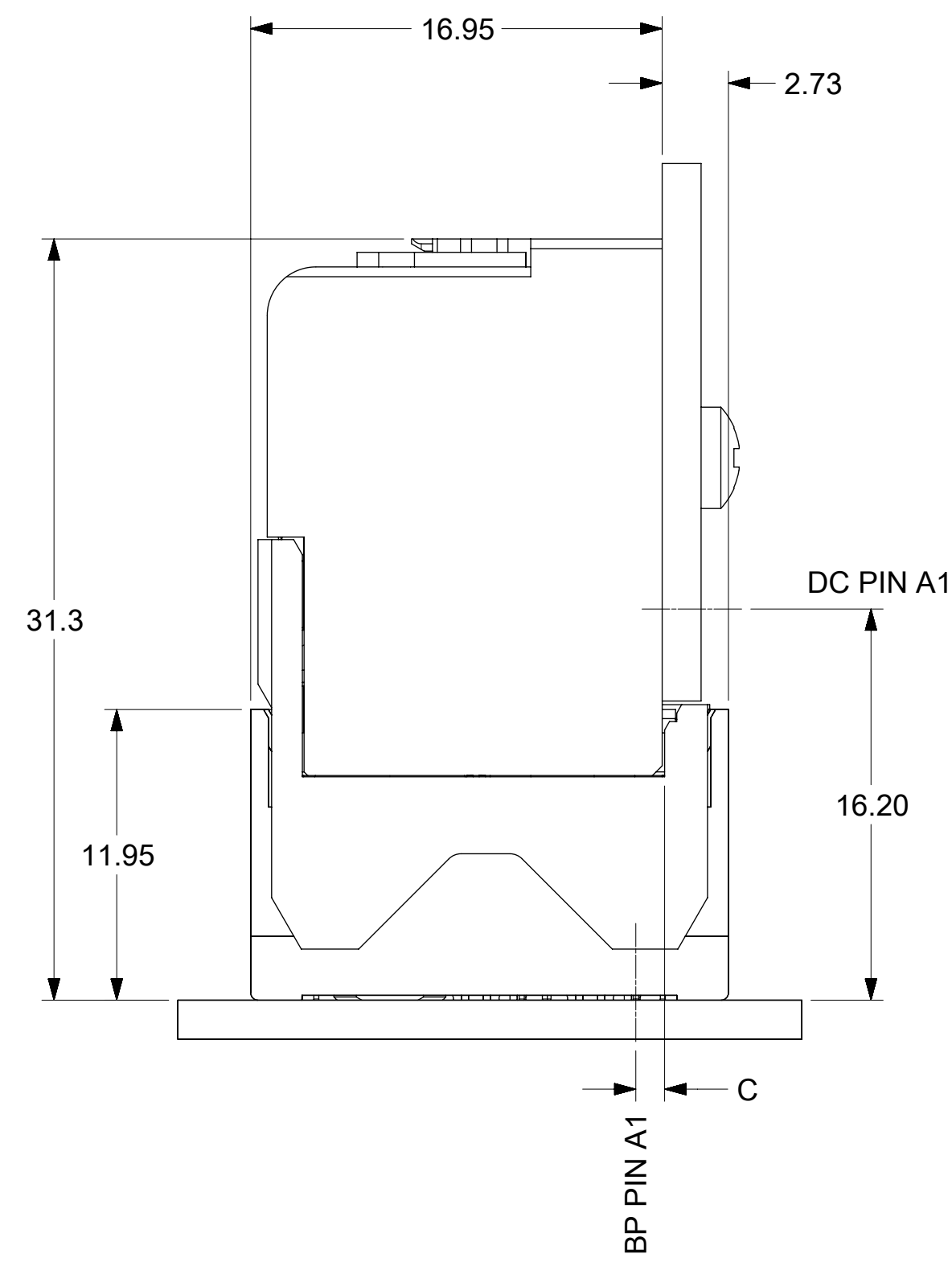
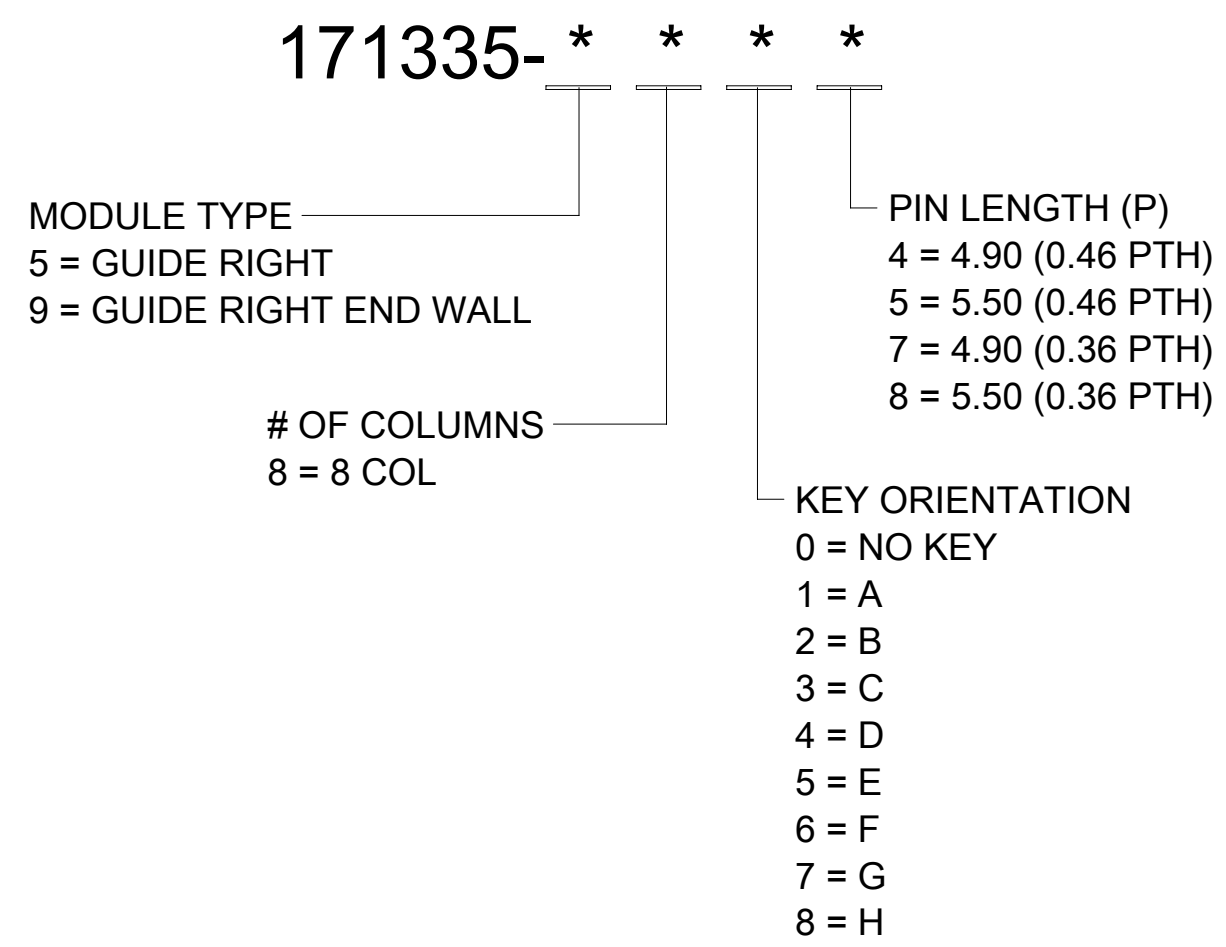
**NOTES:**

1. MATERIALS: HOUSING - LIQUID CRYSTAL POLYMER (LCP)  
GLASS-FILLED, UL94V-0  
TERMINALS - HIGH PERFORMANCE COPPER ALLOY
2. FINISH: 30µIN GOLD IN CONTACT AREA.  
SELECTIVE TIN ON PCB TAILS.  
NICKEL OVERALL.
3. REFER TO MOLEX PRODUCT SPECIFICATION PS-171320-999 FOR PERFORMANCE SPECIFICATIONS.
4. THIS PART CONFORMS TO CLASS B REQUIREMENTS OF MOLEX COSMETIC SPEC PS-45499-002.
5. PRODUCT WILL BE PACKAGED PER PK-78888-082.
6. SEE SHEETS 2, 3, 4, AND 5 FOR HOLE PATTERN AND MATED PART DIMENSIONS.
7. MATES WITH IMPEL DC SERIES NUMBER 171990.
8. REFER TO IMPEL PCB ROUTING GUIDE AS-171320-990 FOR ANTIPAD, ROUTING RECOMMENDATIONS, AND ADDITIONAL PCB INFORMATION.
9. WHEN STACKING MODULES END TO END, THE MINIMUM COLUMN TO COLUMN SPACING IS 2.65mm.
10. THE KEEP-OUT ZONE FOR THE BP HOUSING LENGTH INCLUDES THE NECESSARY SPACE REQUIRED FOR THE MATING DAUGHTERCARD HOUSING.
11. PART IS SUPPLIED WITH ONE 2-56 UNC-2A SCREW.



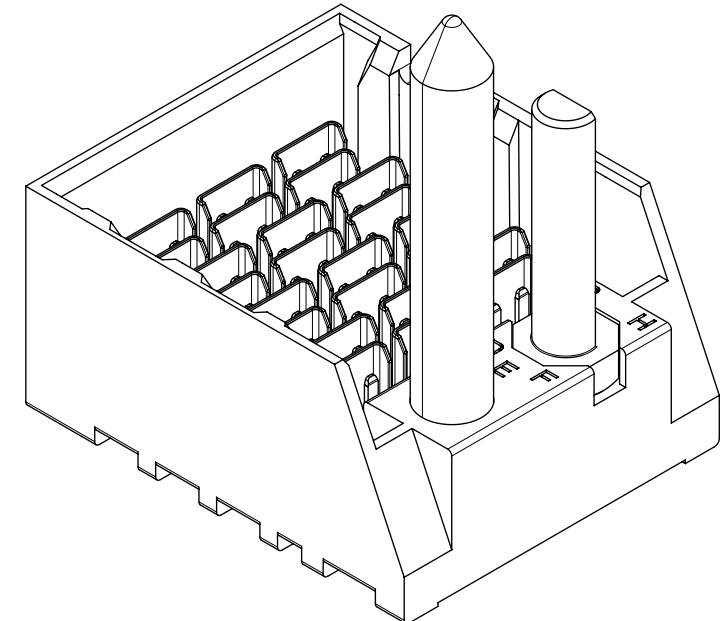
QUALITY SYMBOLS	THIS DRAWING CONTAINS INFORMATION THAT IS PROPRIETARY TO MOLEX ELECTRONIC TECHNOLOGIES, LLC AND SHOULD NOT BE USED WITHOUT WRITTEN PERMISSION				DIMENSION UNITS <b>MM</b>	SCALE <b>4:1</b>	<b>molex</b>  IMPEL 3 PAIR BACKPLANE GUIDE RIGHT ASSEMBLY SALES DRAWING		
	GENERAL TOLERANCES (UNLESS SPECIFIED)								
▽ = 0	MIGRATED TO NX EC NO: 171621 DRWN: KUCHILA CHKD: CYLIAW REV / APPR: DWLE01	ANGULAR TOL ± 0.5 °		DRWN BY	DATE	PRODUCT CUSTOMER DRAWING			
▽ = 0		4 PLACES ±	BJANOWIAK	2012/12/10					
▽ = 0		3 PLACES ±	CHKD BY	DATE					
▼ = 0		2 PLACES ± 0.13	2018/01/31		SERIES MATERIAL NUMBER CUSTOMER 171335 SEE CHART GENERAL MARKET				
▽ = 0		1 PLACE ± 0.25	APPR BY	DATE					
⊠ = 0		0 PLACES ±	2013/01/02		DRAWING SIZE		THIRD ANGLE PROJECTION		
■ = 0	DRAFT WHERE APPLICABLE MUST REMAIN WITHIN DIMENSIONS				<b>C</b>	DOCUMENT NUMBER SD-171335-0004			
▽ = 0	<b>A1</b>					DOC TYPE PSD		DOC PART 001	SHEET NUMBER 1 OF 5

MATERIAL NUMBER	NUMBER OF COLUMNS	NUMBER OF DIFF PAIR	DIM "A"	DIM "B"	DIM "C"	DIM "P"	PTH $\phi$
171335-58*4	8	24	22.20	13.30	1.10	4.90	0.46±0.05
171335-58*5	8	24	22.20	13.30	1.10	5.50	0.46±0.05
171335-58*7	8	24	22.20	13.30	1.20	4.90	0.36±0.05
171335-58*8	8	24	22.20	13.30	1.20	5.50	0.36±0.05



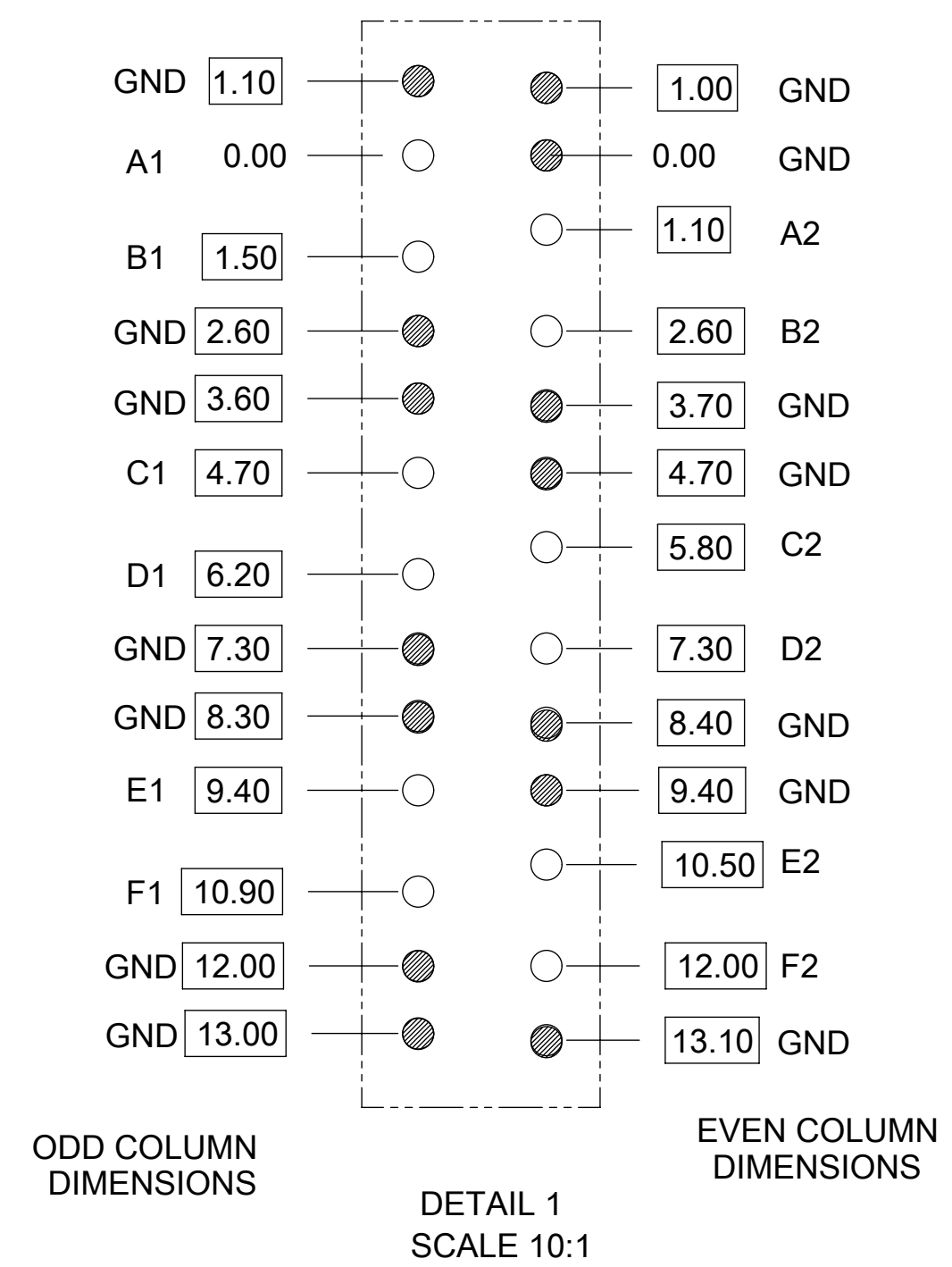
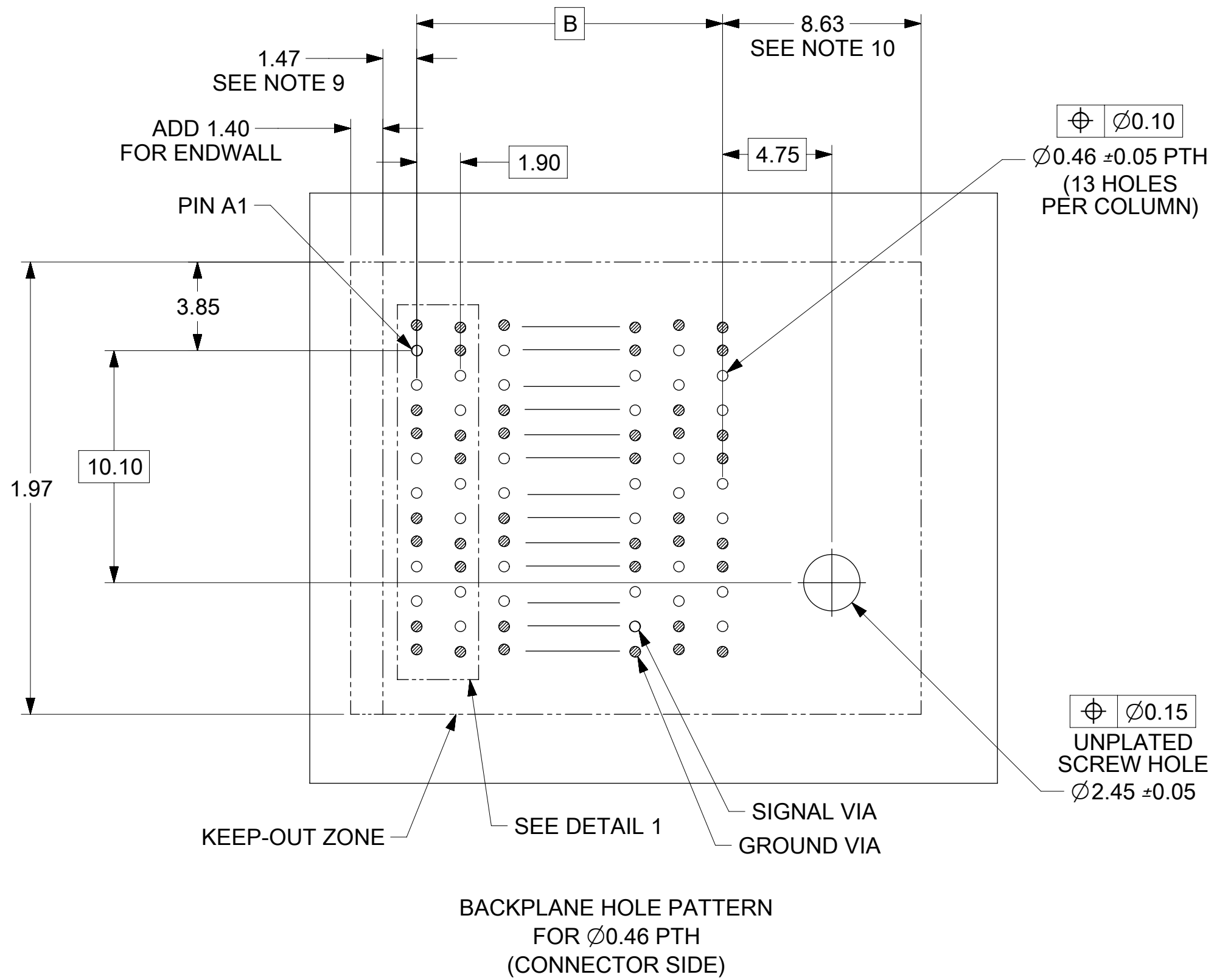
QUALITY SYMBOLS	THIS DRAWING CONTAINS INFORMATION THAT IS PROPRIETARY TO MOLEX ELECTRONIC TECHNOLOGIES, LLC AND SHOULD NOT BE USED WITHOUT WRITTEN PERMISSION											
▽ = 0	MIGRATED TO NX EC NO: 171621 DRWN: KUCHILA CHKD: CYLIAW REV / APPR: DWLE01	2018/01/31 2018/01/31 2018/02/12	GENERAL TOLERANCES (UNLESS SPECIFIED)			DIMENSION UNITS	SCALE	<b>molex</b> IMPEL 3 PAIR BACKPLANE GUIDE RIGHT ASSEMBLY SALES DRAWING				
▽ = 0			ANGULAR TOL ± 0.5 °			MM	4:1					
▽ = 0			4 PLACES ±			DRWN BY	DATE	PRODUCT CUSTOMER DRAWING				
▼ = 0			3 PLACES ±			BJANOWIAK	2012/12/10					
▽ = 0			2 PLACES ± 0.13			CHKD BY	DATE	SERIES MATERIAL NUMBER CUSTOMER 171335 SEE CHART GENERAL MARKET				
▽ = 0			1 PLACE ± 0.25			APPR BY	DATE					
⊠ = 0			0 PLACES ±			BJANOWIAK	2013/01/02	DOCUMENT NUMBER DOC TYPE DOC PART SHEET NUMBER SD-171335-0004 PSD 001 2 OF 5				
■ = 0			DRAFT WHERE APPLICABLE MUST REMAIN WITHIN DIMENSIONS			DRAWING SIZE	THIRD ANGLE PROJECTION					
▽ = 0			A1	C								

MATERIAL NUMBER	NUMBER OF COLUMNS	NUMBER OF DIFF PAIR	DIM "A"	DIM "B"	DIM "C"	DIM "P"	PTH $\phi$
171335-98*4	8	24	23.60	13.30	1.10	4.90	0.46±0.05
171335-98*5	8	24	23.60	13.30	1.10	5.50	0.46±0.05
171335-98*7	8	24	23.60	13.30	1.20	4.90	0.36±0.05
171335-98*8	8	24	23.60	13.30	1.20	5.50	0.36±0.05

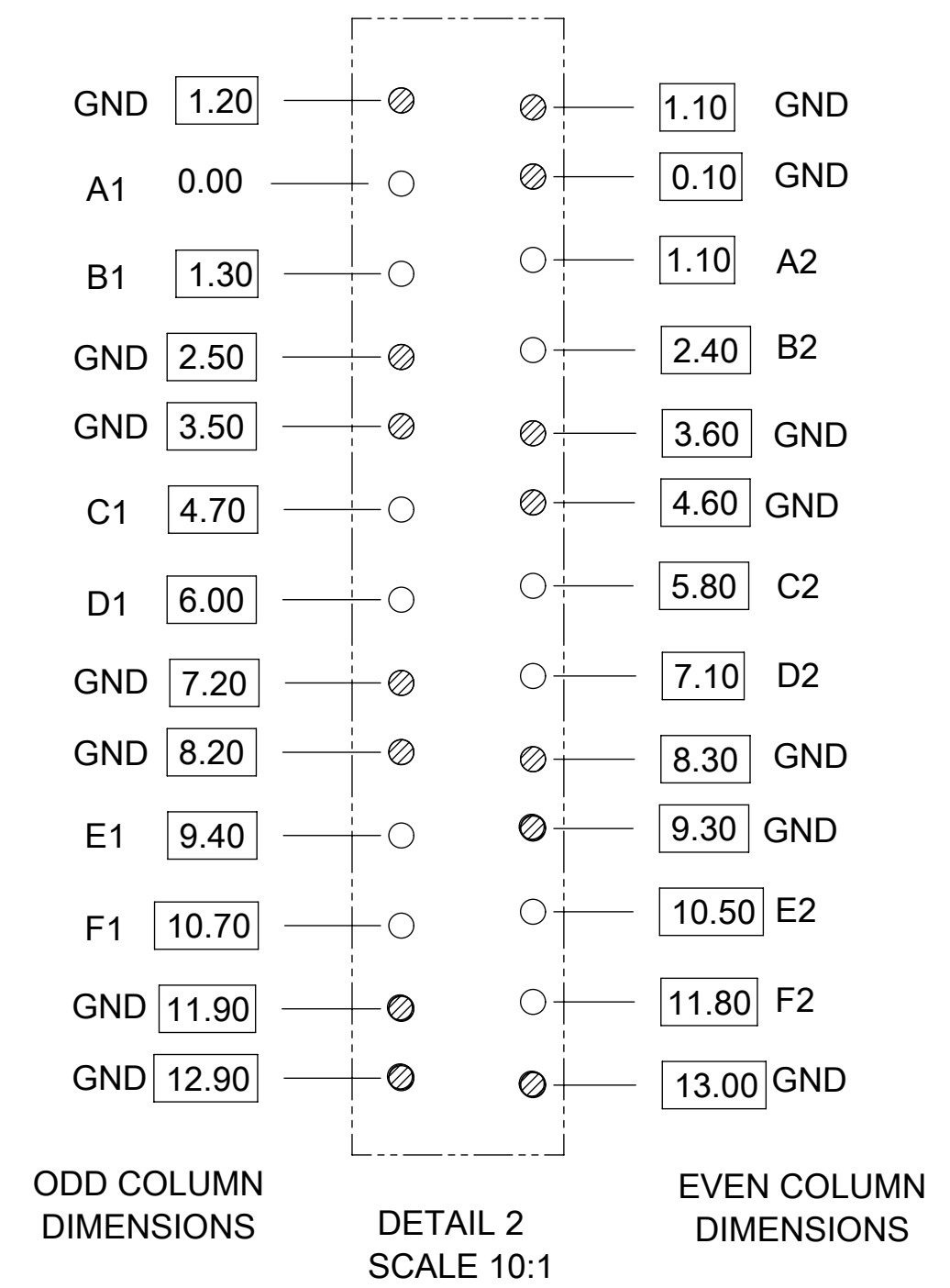
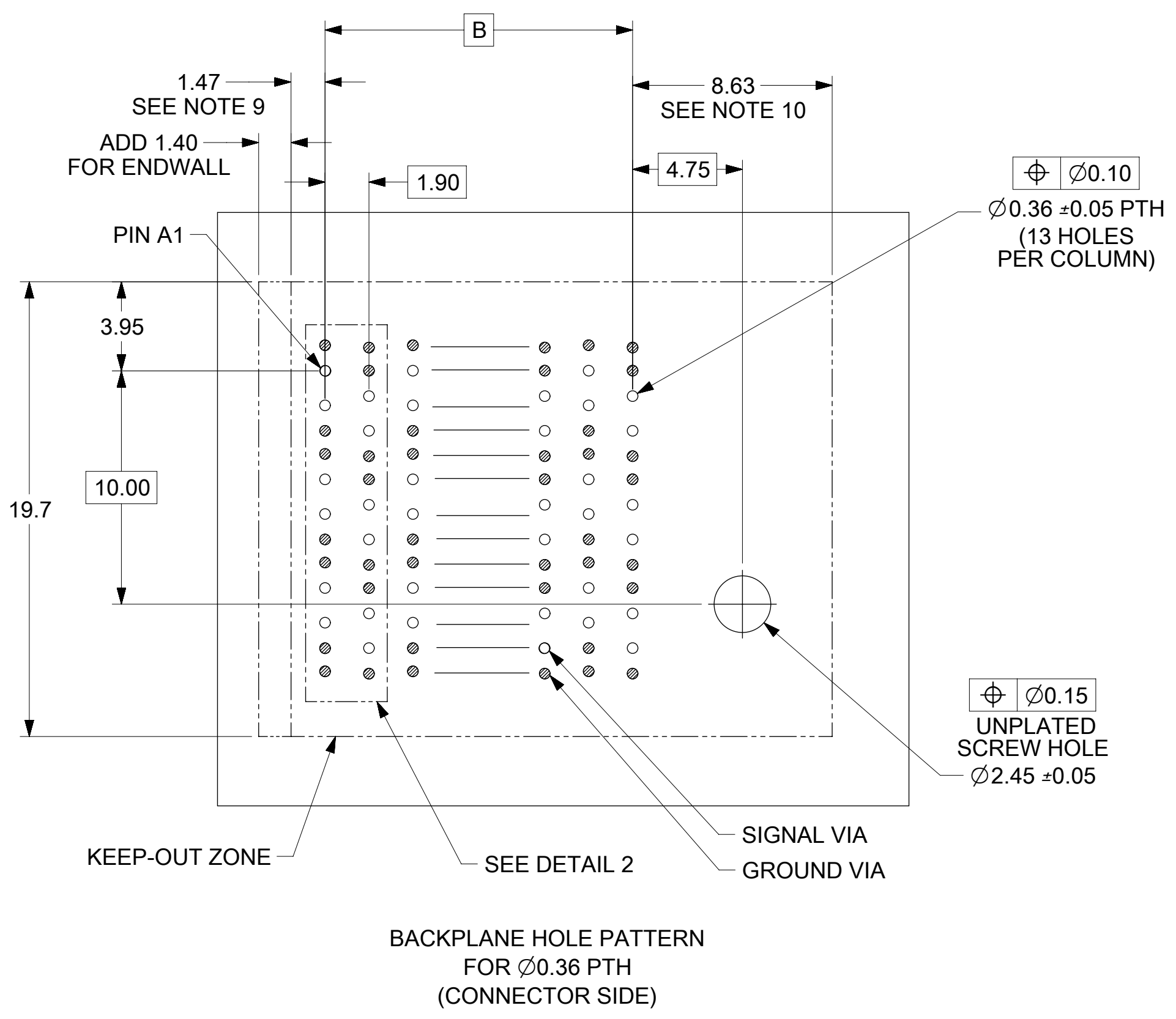


GUIDE RIGHT  
END WALL VERSION

QUALITY SYMBOLS		THIS DRAWING CONTAINS INFORMATION THAT IS PROPRIETARY TO MOLEX ELECTRONIC TECHNOLOGIES, LLC AND SHOULD NOT BE USED WITHOUT WRITTEN PERMISSION											
$\nabla$ = 0	MIGRATED TO NX EC NO: 171621 DRWN: KUCHILA CHKD: CYLIAN REV / APPR: DWLEE01	GENERAL TOLERANCES (UNLESS SPECIFIED)				DIMENSION UNITS		SCALE					
$\nabla$ = 0		ANGULAR TOL $\pm$ 0.5 °				MM		3:1					
$\nabla$ = 0		4 PLACES $\pm$				DRWN BY		DATE		IMPEL 3 PAIR BACKPLANE GUIDE RIGHT ASSEMBLY SALES DRAWING  PRODUCT CUSTOMER DRAWING			
$\blacktriangledown$ = 0		3 PLACES $\pm$				BJANOWIAK		2012/12/10					
$\nabla$ = 0		2 PLACES $\pm$ 0.13				CHKD BY		DATE					
$\blacktriangledown$ = 0		1 PLACE $\pm$ 0.25				BJANOWIAK		2013/01/02					
$\boxtimes$ = 0		0 PLACES $\pm$				APPR BY		DATE					
$\blacksquare$ = 0		DRAFT WHERE APPLICABLE MUST REMAIN WITHIN DIMENSIONS				DRAWING SIZE		THIRD ANGLE PROJECTION		SERIES: 171335    MATERIAL NUMBER: SEE CHART    CUSTOMER: GENERAL MARKET			
$\nabla$ = 0		A1				C				DOCUMENT NUMBER: SD-171335-0004    DOC TYPE: PSD    DOC PART: 001    SHEET NUMBER: 3 OF 5			



QUALITY SYMBOLS		THIS DRAWING CONTAINS INFORMATION THAT IS PROPRIETARY TO MOLEX ELECTRONIC TECHNOLOGIES, LLC AND SHOULD NOT BE USED WITHOUT WRITTEN PERMISSION												
▽ = 0	▽ = 0	MIGRATED TO NX EC NO: 171621 DRWN: KUCHILA CHKD: CYLIAW REV / APPR: DWLE01	GENERAL TOLERANCES (UNLESS SPECIFIED)				DIMENSION UNITS		SCALE					
▽ = 0	▽ = 0		ANGULAR TOL ± 0.5 °				MM		4:1					
▽ = 0	▽ = 0		4 PLACES ±				DRWN BY		DATE		IMPEL 3 PAIR BACKPLANE GUIDE RIGHT ASSEMBLY SALES DRAWING			
▽ = 0	▽ = 0		3 PLACES ±				BJANOWIAK		2012/12/10					
▽ = 0	▽ = 0		2 PLACES ± 0.13				CHKD BY		DATE		PRODUCT CUSTOMER DRAWING			
▽ = 0	▽ = 0		1 PLACE ± 0.25				BJANOWIAK		2013/01/02					
▽ = 0	▽ = 0	0 PLACES ±				APPR BY		DATE		SERIES MATERIAL NUMBER CUSTOMER 171335 SEE CHART GENERAL MARKET				
☒ = 0	■ = 0	DRAFT WHERE APPLICABLE MUST REMAIN WITHIN DIMENSIONS				DRAWING SIZE		THIRD ANGLE PROJECTION		DOCUMENT NUMBER DOC TYPE DOC PART SHEET NUMBER SD-171335-0004 PSD 001 4 OF 5				
▽ = 0		A1	C											



QUALITY SYMBOLS	THIS DRAWING CONTAINS INFORMATION THAT IS PROPRIETARY TO MOLEX ELECTRONIC TECHNOLOGIES, LLC AND SHOULD NOT BE USED WITHOUT WRITTEN PERMISSION											
▽ = 0	MIGRATED TO NX EC NO: 171621 DRWN: KUCHILA CHKD: CYLIW REV APPR: DWLE01	GENERAL TOLERANCES (UNLESS SPECIFIED)				DIMENSION UNITS	SCALE	<b>molex</b>				
▽ = 0		ANGULAR TOL ± 0.5 °				MM	4:1					
▽ = 0		4 PLACES ±				DRWN BY	DATE	IMPEL 3 PAIR BACKPLANE GUIDE RIGHT ASSEMBLY SALES DRAWING				
▼ = 0		3 PLACES ±				BJANOWIAK	2012/12/10					
▽ = 0		2 PLACES ± 0.13				CHKD BY	DATE					
▽ = 0		1 PLACE ± 0.25				2018/01/31		PRODUCT CUSTOMER DRAWING				
▽ = 0		0 PLACES ±				APPR BY	DATE	SERIES	MATERIAL NUMBER	CUSTOMER		
⊠ = 0		DRAFT WHERE APPLICABLE MUST REMAIN WITHIN DIMENSIONS				BJANOWIAK	2013/01/02	171335	SEE CHART	GENERAL MARKET		
■ = 0						DRAWING SIZE	THIRD ANGLE PROJECTION	DOCUMENT NUMBER		DOC TYPE	DOC PART	SHEET NUMBER
▽ = 0						C		SD-171335-0004		PSD	001	5 OF 5